

# Aulika Office EVO

230V - 60Hz  
220V - 60Hz

IT	Italiano
EN	English
FR	Français
DE	Deutsch
ES	Español



(IT)

## SOMMARIO

<b>Tav. 01</b>	Telaio / Estetica
<b>Tav. 02</b>	Componenti erogazione
<b>Tav. 03</b>	Impianto elettrico
<b>Tav. 04</b>	Elettrovalvole/Caldiaie
<b>Tav. 05</b>	Circuito Idrraulico
<b>Tav. 06</b>	Coperchio superiore/Contentitori
<b>Tav. 07</b>	Macinacaffè
<b>Tav. 08</b>	Motoriduttore
<b>Tav. 09</b>	Base macchina
<b>Tav. 10</b>	Gruppo caffè

(EN)

## INDEX

Frame / aesthetics
Dispensing components
Electric system
Solenoid Valves/Boilers
Hydraulic System
Top cover/Containers
Grinder
Gearmotor
Machine base
Coffee Group

(FR)

## INDEX

Cadre / esthétique
Distribution composants
Installation électrique
Electrovannes/Chaudières
Circuit hydraulique
Couverture supérieure/Conteneurs
Moulin à café
Motoréducteur
Base de la machine
Groupe de café

(DE)

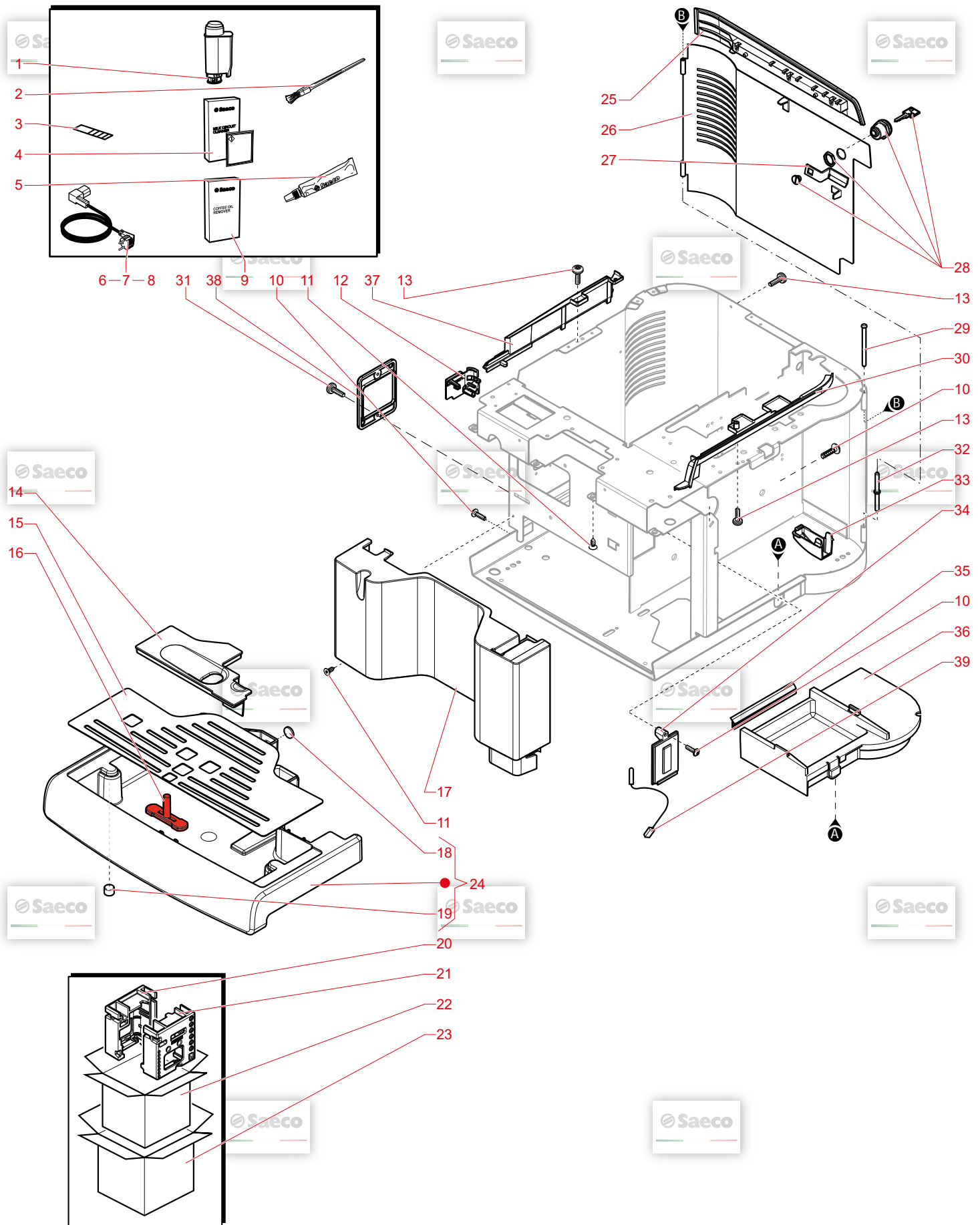
## VERZEICHNIS

Rahmen / Ästhetik
Lieferbestandteile
Schaltbrett
Solenoidventile/Kessel
Wasser Leitung
Obere Abdeckung/Behälter
Kaffeemühle
Getriebemotor
Maschinenbasis
Kaffeegruppe

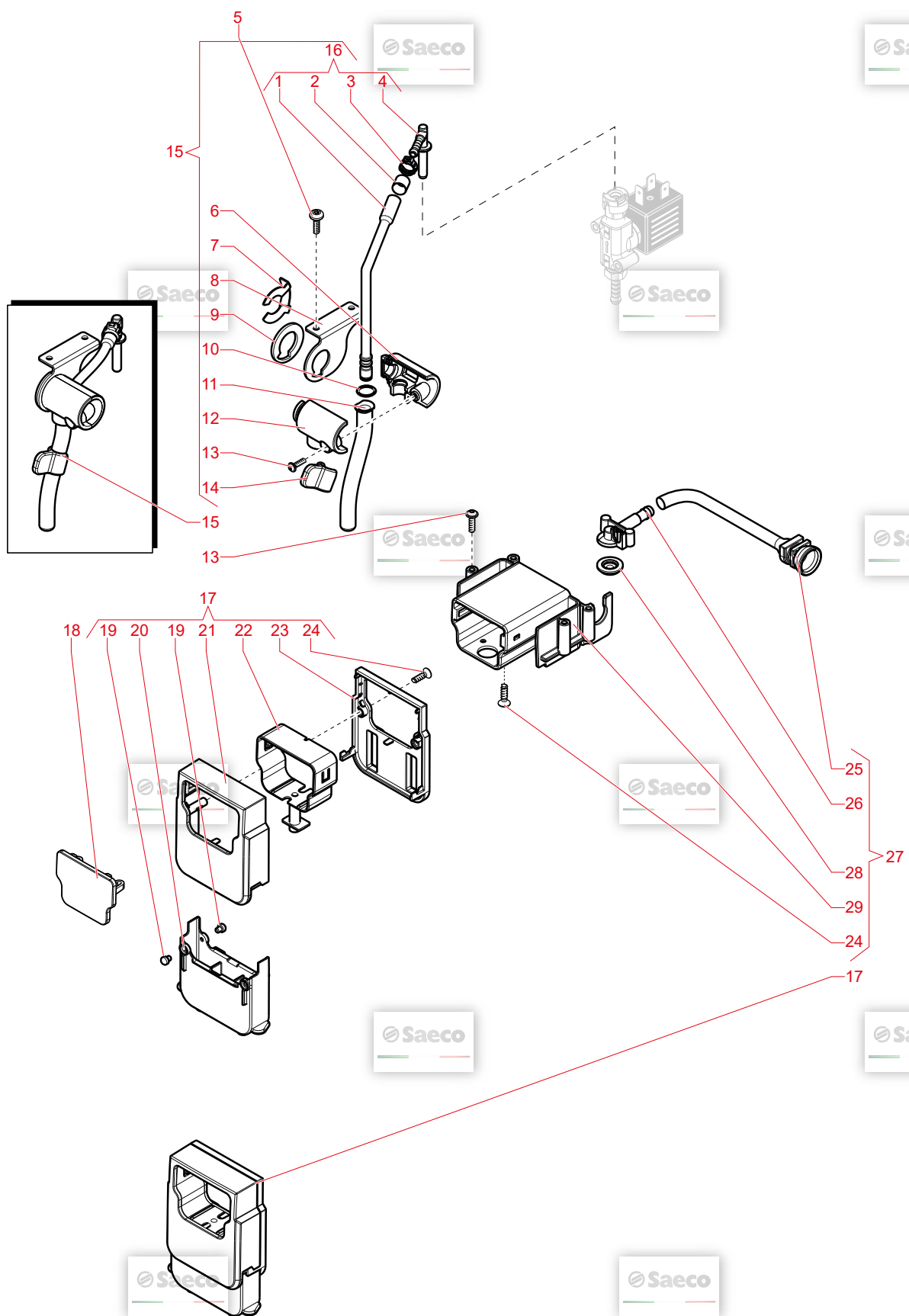
(ES)

## INDICE

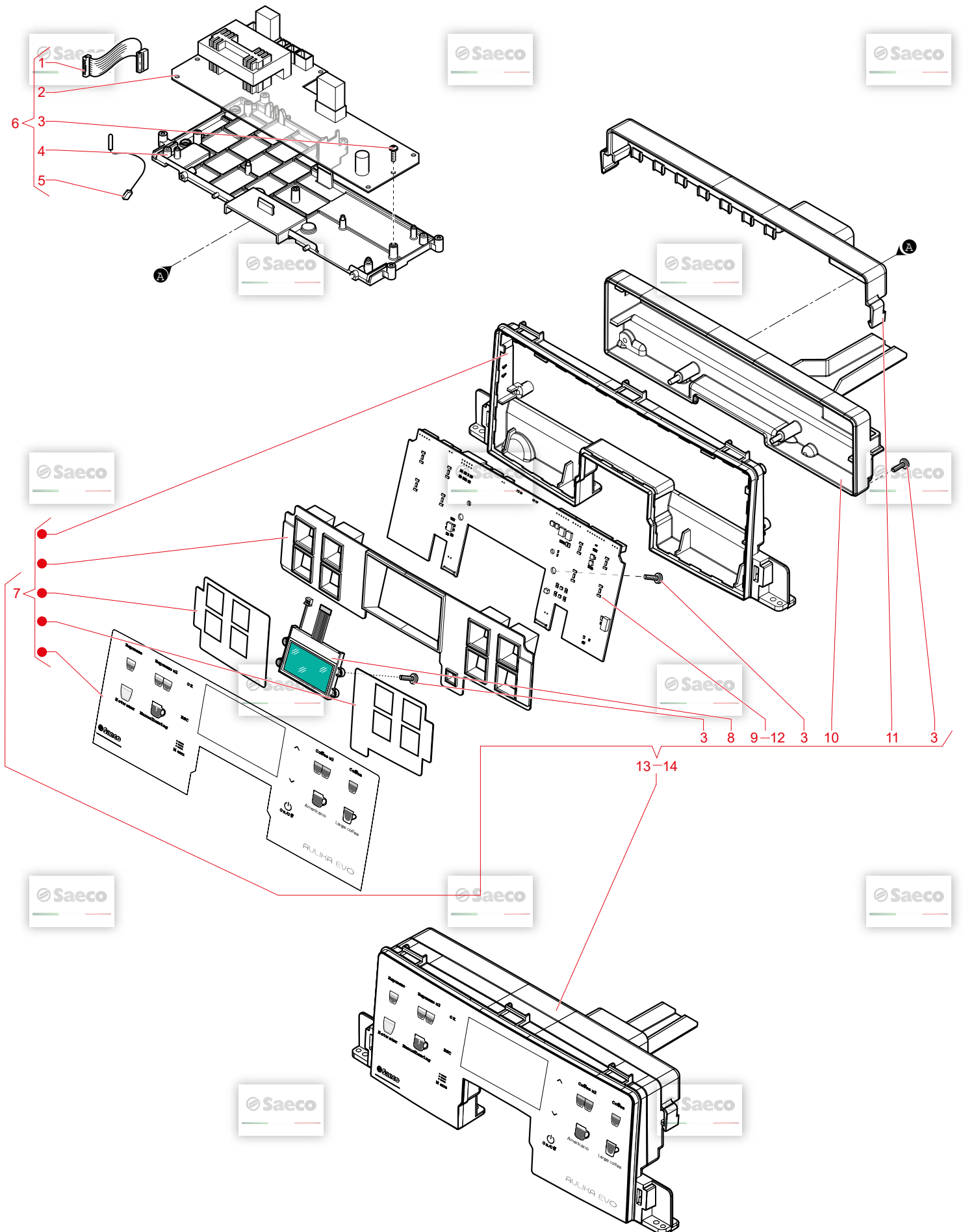
Marco / estética
Dispensación componentes
Instalacion eléctrica
Válvula de solenoide/Calderas
Circuito idráulico
Cubierta superior/Contenedores
Molinillo de café
Motorreductor
Base de la máquina
Grupo de café



N.POSI COD	I - DESCRIZIONE	UK - DESCRIPTION	F - DESCRIPTION	D - BEZEICHNUNG	E - DESCRIPCION
1	21002660 ACC BRITA WATER FILTER 1UNIT (10 PENNELLO PER PULIZIA	ACC BRITA WATER FILTER 1UNIT (10 BRUSH FOR CLEANING	FILTRE BRITA INTENZA 1 UNITE (10 PINCEAU	ACC BRITA WATER FILTER 1UNIT (10 Reinigungspinsel	ACC BRITA WATER FILTER 1UNIT (10 PENNELLO PER PULIZIA
2	127390100 STICKER TEST DUREZZA ACQUA	STICKER FOR WATER HARDNESS TEST	TEST DE DURETE D'EAU	Teststreifen für Wasserhärte	STICKER TEST DUREZZA ACQUA
3	0301.961 ACC MILK CLEAN.POW.1U DISPL.CORE	ACC MILK CLEAN.POW.1U DISPL.CORE	PASTILLE NETTOYAGE CIRCUIT LAIT	ACC MILK CLEAN.POW.1U DISPL.CORE	ACC MILK CLEAN.POW.1U DISPL.CORE
4	21002662 TUBETTO GRASSO DI LUBRIFICAZIO	KLUBERLUB NH1 11-222 TUBE 5GR.	TUBE DE GRAISSE SILICONE 5GR.	KLUBERLUB NH1 11-222 TUBE 5GR.	TUBETTO GRASSO DI LUBRIFICAZIONE
5	421946017941 CAVO AL.SCH.3X1 H05VV-F NER.L=	BLACK POWER CABLE SCHUKO L=1200	CABLE ALIMENTATION	NETZANSCHLUßKABEL	CAVO AL.SCH.3X1 H05VV-F NER.L=12
6	183911050 CAVO AL.KOREA 3X1 H05VV-F NER.L=	BLACK POWER CABLE KOREA L=1200	NON UTILISE PAR LA FRANCE ET LE	Netzabel Korea H05vv-f 3x1 Sz.	CAVO AL.KOREA 3X1 H05VV-F NER.L=
7	17800019 CAVO AL.BRA.3X1 10AV2 NER.L=1	BLACK POWER CABLE BRAZIL L=1200	NON UTILISE PAR LA FRANCE ET LE	Kabel 3X1 10AV2 NER.L=1200	CAVO AL.BRA.3X1 10AV2 NER.L=1200
8	21002663 ACC COF.OIL REMOVER 1UNIT CORE	ACC COF.OIL REMOVER 1UNIT CORE+W	ACC COF.OIL REMOVER 1UNIT CORE+L	ACC COF.OIL REMOVER 1UNIT CORE+W	ACC COF.OIL REMOVER 1UNIT CORE+W
9	12000450 VITE TCBR 3.5X12 PLAST.ZN-N	SCREW TSP TORX 10.3.5X12 PLAST.	VIS TCBR TORX 10.3.5X12 PLAST.ZN	TORXSCHRAUBE 3.5X12	VITE TCBR 3.5X12 PLAST.ZN-N
10	129535721 VITE TSP 3.5X9.5 DIN7982 TORX	SCREW TSP TORX 10.3.5X9.5 SHE	VIS TSP 3.5X9.5	Senkkopfschraube 3.5 x 9.5	VITE TSP 3.5X9.5 DIN7982 TORX IN
11	170001779 PROT.TUBO VAP.RY.L NER.	BLACK STEAM TUBE PROTECTION RYL	PROTECTION TUBE VAPEUR	BLACK STEAM TUBE PROTECTION RYL	BLACK STEAM TUBE PROTECTION RYL
12	12001622 VITE TCB B 3.5X9.5 LAMIERA ZN-	SCREW TCB TORX B 3.5X9.5 SCHEET	VIS TCB B 3.5X9.5 LAMIERA ZN-N	TORXSCHRAUBE 3.5X9.5	VITE TCB B 3.5X9.5 LAMIERA ZN-N
13	17000982 COP.VASCA REC.ACO.RYL NER.	BLACK DRIP TRAY COVER RYL	COUVERCLE BAC EGOUTTEMENT	Deckel sz Abtropfschale New Roya	COP.VASCA REC.ACO.RYL NER.
14	11029899 GRIGLIA VASCA REC.ACO.RYL/IT IN	SB/SS DRIP TRAY GRATE RYL/IT	GRILLE BAC RECUIPE EAU INOX	SB/SS DRIP TRAY GRATE RYL/IT	GRIGLIA VASCA REC.ACO.RYL/IT INOX
15	17000991 GALLEG.VASCA REC.ACO.V2 RYL RO	RED FLOAT V2 FOR DRIP TRAY RYL	FLOTTEUR BAC EAUX USEES ROUGE	RED FLOAT V2 FOR DRIP TRAY RYL	GALLEG.VASCA REC.ACO.V2 RYL ROS.
16	11037043 COP.ANT.CARC.RYLO/IT VERN.NER.C	BLK/P FRONT CASING COVER RYL/IT	AIMANT BAC A MARC MAGIC	Magnetscheibe d=9.5mm h=1.5mm	MAGNETE D=9.5 X H=1.5
17	9991.093 MAGNETE D=9.5 X H=1.5	MAGNET FOR FLOAT SUPERAUT.	FLOTTEUR MAGNETIQUE	MAGNET	MAGNETE X GALLEGGIANTE SUPERAUT.
18	9161.111 INS SX SCATOLA RYLO-E PS-E	INS DX SCATOLA RYLO-E PS-E	BOITE D'EMBALLAGE INTERNE	HAVANA BOX RYLO SAE AULIKA	SCAT.AVANA RYLO SAE AULIKA
19	263382 INS DX SCATOLA RYLO-E PS-E	EXT.BOX.AULIKA EVO			
20	13001327 SCAT.EST.AULIKA EVO	UNPAINTED DRIP TRAY RYL ASSY.V2			
21	13000005 AS.VASCA REC.ACO.RYL NER.DIVER	BLK CASING CLOSING INSERT RYL/E	BLK CASING CLOSING INSERT RYL/E	BLK CASING CLOSING INSERT RYL/E	INS.SPORTELLO BLK RYL/E
22	11036713 INS.SPORTELLO BLK RYL/E	SIDE DOOR RYL/E ACC.BLK.ASSY	PENE DE SERRURE	SIDE DOOR RYL/E ACC.BLK.ASSY	AS.SPORT.CARC.RYL/E ACC.NER.
23	11036748 AS.SPORT.CARC.RYL/E ACC.NER.	STEEL CASING DOOR LOCK BRACKET R	SERRURE MERONI 337	STEEL CASING DOOR LOCK BRACKET R	STEEEL CASING DOOR LOCK BRACKET R
24	17001988 SERRATURA MERONI 337	LOCK MERONI 337		Türschloß Meroni 337	SERRATURA MERONI 337
25	12001902 SPINA SPORT.SUPERAUT.OT/NIK	NIK/BRASS PIN FOR DOOR SUPERAUT.	AXE DE PORTE	Schamierbolzen oben	SPINA SPORT.SUPERAUT.OT/NIK
26	0301.019 INS.CHIU.SURA DX BLK.CARC. RYLO	BLK CASING RIGHT CLOSING INSERT	BLK CASING RIGHT CLOSING INSERT	BLK CASING RIGHT CLOSING INSERT	INS.CHIU.SURA DX BLK.CARC. RYLO/E
27	11036715 PANELVIT TCB 3.0X12 TORX BLACK	PANELVIT TCB 3.0X12 TORX BLACK	VIS TCB TORX	Spax-Schraube TCB 3.0X12 TORX sz	INS.CHIU.SURA DX BLK.CARC. RYLO/E
28	0301.020 SPINA SPORT.SUPERAUT.OT/NIK	NIK/BRASS PIN FOR DOOR SUPERAUT.	AXE DE PORTE	Schamierbolzen unten	SPINA SPORT.SUPERAUT.OT/NIK
29	17001874 PROT.MICRO RYL UL NER.	BLACK MICROSWITCH PROTECTION RYL	INSERT PLAQUE DE MONTAGE	GREY MOUNTING PLATE INSERT RYL	INS.PIAS.MONTAG.RYL.GRI
30	17000240 INS.PIAS.MONTAG.RYL.GRI	SEAL FOR UNIT PLATE	GARNITURE GROUPE CAFE	Dichtung Brühgruppenische MA, R	INS.PIAS.MONTAG.RYL.GRI
31	9161.140 PIAS.SUPP.GRUP.ROYAL GRI.	GREY BREW UNIT SUPPORT PLATE ROY	PLAQ.GROUPE CAFE CAFE	Schublaube Brühgruppe MA, RO	PIAS.SUPP.GRUP.ROYAL GRI.
32	0301.041.150 INS.CHIU.SURA SX BLK.CARC. RYLO	BLK CASING LEFT CLOSING INSERT R	BLK CASING LEFT CLOSING INSERT R	BLK CASING LEFT CLOSING INSERT R	INS.CHIU.SURA SX BLK.CARC. RYLO/E
33	11036714 COPERCHIO CONNETTORE NERO	BLK CONNECTOR LID	BLK CONNECTOR LID	BLK CONNECTOR LID	BLK CONNECTOR LID
34	421944062731 AS.CONN.2P.SENS.REED FONDI/CST	2POLES CONNECT.SENSOR REED DUMP	CONNECTEUR 2 POLES	2POLES CONNECT.SENSOR REED DUMP	2POLES CONNECT.SENSOR REED DUMP
35	17800442				



N.POSI COD	I - DESCRIZIONE	UK - DESCRIPTION	F - DESCRIPTION	D - BEZEICHNUNG	E - DESCRIPCION
1	11022989 TUBO EROG.VAPMDS SILIC.NER.	BLACK SILIC.STEAM DISPENSER TUBE	BLACK SILIC.STEAM DISPENSER TUBE	Dampfrohr schwarz Silikon	BLACK SILIC.STEAM DISPENSER TUBE
2	11025683 TUBO DI=9.5 SP=0.30 L=10 NER.	BLACK TUBE DI=9.5 SP=0.30 L=10	BLACK TUBE DI=9.5 SP=0.30 L=10	BLACK TUBE DI=9.5 SP=0.30 L=10	BLACK TUBE DI=9.5 SP=0.30 L=10
3	12000892 FASCETTA OETIKER D=9.5 16700004	OETIKER CLAMP D=9.5 16700004	AGRAFES OETIKER D=9.5 16700004	OETTINGERKLEIMME D=9.5	FASCETTA OETIKER D=9.5 16700004
4	17002197 RAC.TUBO VAP/CAPPUC.V4 RYL NER	BLACK CAPPUCIN/STEAM TUBE CONNEX			
5	12001622 VITE TCB B 3.5X9.5 LAMIERA ZN-N	SCREW TCB TORX B 3.5X9.5 SCHEET	VIS TCB B 3.5X9.5 LAMIERA ZN-N	TORXSCHRAUBE 3.5X9.5	VITE TCB B 3.5X9.5 LAMIERA ZN-N
6	17000672 SUPPPOST.TUBO VAPRYL NER.	BLACK REAR STEAM TUBE SUPPORT RY	SUPPORT ARRIERE TUBE VAPEUR	BLACK REAR STEAM TUBE SUPPORT RY	SUPP.POST.TUBO VAPRYL NER.
7	NF11.084 MOLLA A FORCELLA ACC.FOSF.	PHOSPH/STEEL FOLK SPRING	RESSORT A FOURCHE	Klemmfeder HWD - Rohr Incantio, D	MOLLA A FORCELLA ACC.FOSF.
8	17000815 STAFFA SUPP.TUBO VAPRYL ACC.	STEEL STEAM TUBE SUPPORT BRACKET	EQUERRE SUPOORT TUBE VAPEUR	STEEL STEAM TUBE SUPPORT BRACKET	STAFFA SUPP.TUBO VAPRYL ACC.
9	11001624 RONDELLA TUBO VAP.P0049 NER.	BLACK STEAM TUBE WASHER P0049	RONDELLE DE BLOCAGE TUBE VAPEUR	Unterlegscheibe zu Dampfrohr	RONDELLA TUBO VAP.P0049 NER.
10	140321961 OR 2031 NFDA NBR 70 FDA	O-RING 2031 NFDA NBR 70 FDA	O-RING 2031 NFDA NBR 70 FDA	O-RING 2031 NFDA NBR 70 FDA	OR 2031 NFDA NBR 70 FDA
11	11025760 TUBO VAPRYL OT/CROM.TF	TF/CHROM.STEAM TUBE RYL	TUBE VAPRYL OT/CROM.TF	TUBO VAPRYL OT/CROM.TF	TUBO VAPRYL OT/CROM.TF
12	17001437 SUPP.ANT.TUBO VAPRYL NER.	BLACK FRONT STEAM TUBE SUPPORT R	SUPPORT AVANT TUBE VAPEUR	BLACK FRONT STEAM TUBE SUPPORT R	SUPP.ANT.TUBO VAPRYL NER.
13	12000450 VITE TCBR 3.5X12 PLASTZN-N	SCREW TCBR TORX 10.3.5X12 PLAST.	VIS TCBR TORX 10.3.5X12 PLAST.ZN	TORXSCHRAUBE 3.5X12	VITE TCBR 3.5X12 PLASTZN-N
14	17001574 IMPUGN.TUBO VAPRYLO NER.	BLACK STEAM TUBE HANDGRIP RYLO	POIGNEE TUBE VAPEUR NOIRE	BLACK STEAM TUBE HANDGRIP RYLO	IMPUGN.TUBO VAPRYLO NER.
15	11031416 AS.TUBO VAP.V3 RYL/T OT/TEA OT	TF/CHROM.STEAM TUBE V3 RYL/T ASS	AS.TUBE VAP.V3 RYL/T OT/TEA OT/C	TF/CHROM.STEAM TUBE V3 RYL/T ASS	AS.TUBO VAP.V3 RYL/T OT/TEA OT/C
16	20007030 KIT TUBO USCITA VAPRYL NER.	BLACK OUTPUT STEAM TUBE KIT RYL	KIT TUBE VAPEUR	BLACK OUTPUT STEAM TUBE KIT RYL	KIT TUBO USCITA VAPRYL NER.
17	11036787 AS.EROG.CAF.RYL BLU	BLUE COFFEE DISPENSER RYL ASSY	BLUE COFFEE DISPENSER RYL ASSY	BLUE COFFEE DISPENSER RYL ASSY	AS.EROG.CAF.RYL BLU
18	263208 COP.SUPP.EROG.CAF.RYL/O.V.BLU	WHITE COFFEE DISPENSER SLIDER MY			
19	11013085 PATTINO EROG.CAF.MYB9 BIA.	BLACK EXT.MOBILE PART COF.DISPEN	PATIN EROGATION CAFE	Gleitstück im Auslauf	PATTINO EROG.CAF.MYB9 BIA.
20	17000246 PARTE MOBILE EST.EROG.CAF.RYL	BLK FRONT COF.DISPENSER COVER	PARTIE MOBILE EXTERNE EROGATION	BLACK EXT.MOBILE PART COF.DISPEN	PARTE MOBILE EST.EROG.CAF.RYL NE
21	11037042 COP.ANT.EROG.CAF.RYL VERN.NER.	BLACK INNER BODY COFFEE DISPENS.	CORPS ARRIERE EROGATION CAFE	BLACK INNER BODY COFFEE DISPENS.	CORPO INT.EROG.CAF.RYL NER.
22	17000251 CORPO INT.EROG.CAF.RYL NER.	BLACK REAR COVER COFFEE DISPENS.	CORPS ARRIERE EROGATION CAFE	BLACK REAR COVER COFFEE DISPENS.	COP.POS.EROG.CAF.RYL NER.
23	17000248 COP.POS.EROG.CAF.RYL NER.	SCREW TSP TORX 10.3X10 PLAST.SS	VIS TSP 3X10 PLAST.INOX	TORXSCHRAUBE 3X10	SCREW TSP TORX 10.3X10 PLAST.SS
24	12000895 VITE TSP 3X10 PLASTINOX	BLACK DISPENSER COFF.INLET CONNE	RACCORD PASSAGE CAFE	Raccord schwarz Kaffeezulauf	RAC.INGRES.CAF.EROG.RYL NER.
25	17000614 RAC.INGRES.CAF.EROG.RYL NER.	BLACK COFFEE DISPENSER TUBE RYL	TUBE EROGATION CAFE	Kaffeauslaufrohr schwarz	TUBO EROG.CAF.RYL NER.
26	17000616 TUBO EROG.CAF.RYL NER.	BLK COFFEE DISPENSER SUPPORT RYL	AS.SUPP.EROG.CAF.RYL/H NER.	AS.SUPP.EROG.CAF.RYL/H NER.	AS.SUPP.EROG.CAF.RYL/H NER.
27	11031103 AS.SUPP.EROG.CAF.RYL/H NER.	BLACK SEAL FOR COFFEE DISPENSER	CARNITURE EROGATION CAFE	Dichtung schwarz Kaffeauslauf	GUARN.EROG.CAF.RYL NER.
28	17000337 GUARN.EROG.CAF.RYL NER.	BLACK COFFEE DISPENSER SUPPORT R	SUPPORT EROGATION CAFE	BLACK COFFEE DISPENSER SUPPORT R	SUPP.EROG.CAF.RYL NER.
29	17000257				



N.POSI COD	I - DESCRIZIONE	UK - DESCRIPTION	F - DESCRIPTION	D - BEZEICHNUNG	E - DESCRIPCION	NOTE
1	ASS. FASCIA TOP POSTERIORE	REAR TOP BAND ASS.	GR. BANDE PLAN ARRIÈRE	BAUGR. BAND OBEN HINTEN	CONJ. BANDA TOP TRASERA	
2	PWR BOARD RYL/RYLO V2 230V	PWR BOARD RYL/RYLO V2 230V	PWR BOARD RYL/RYLO V2 230V	PWR BOARD RYL/RYLO V2 230V	PWR BOARD RYL/RYLO V2 230V	
3	VITE TCBR 3.5X12 PLAST.ZN-N					
4	SUPP.SCHEDA PWR RYL NER.	BLACK PWR BOARD SUPPORT RYL	SUPP.PLATINE PUISSANCE NOIR	BLACK PWR BOARD SUPPORT RYL	SUPP.SCHEDA PWR RYL NER.	
5	AS. CONN. 2 POLI CC					
6	263212	WHITE DISPLAY 160x80	DISPLAY 160x80 BLANC	WHITE DISPLAY 160X80	DISPLAY 160x80 BIANCO	CHN
7	263223	CONTROL PANEL INF.COVER RYL/E				
8	12001779	CONTROL PANEL SUP.COVER RYL/E				
9	263312					
10	11037020					
11	11037021					
12	263314					
13	263313					
14	263315					

© by Saeco, a company of EVOCA Group - GAGGIO MONTANO

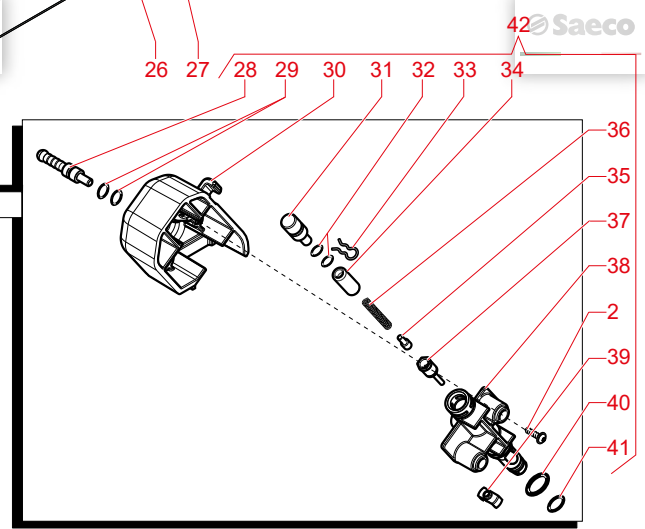
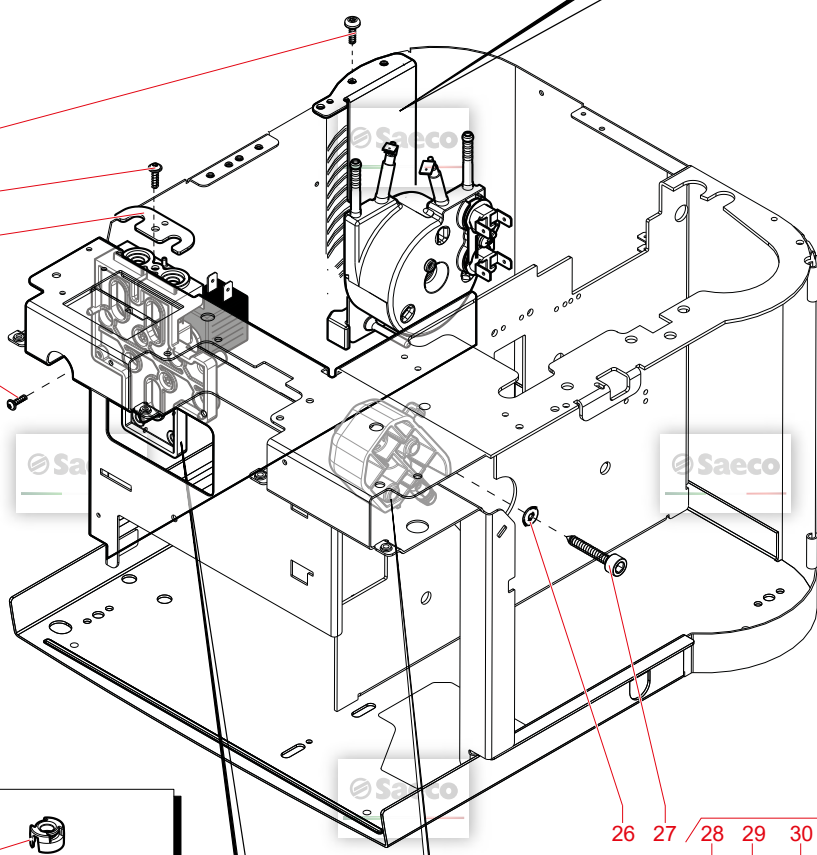
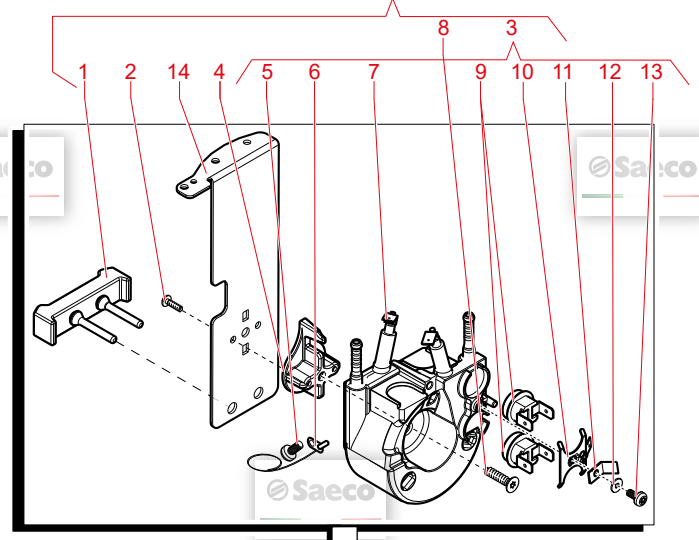
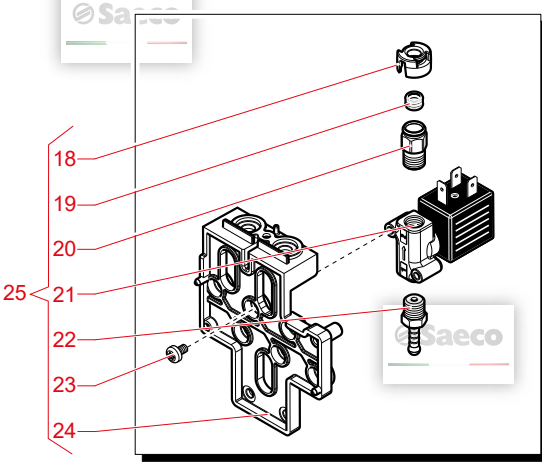
C0253X00

03

12/02/2020

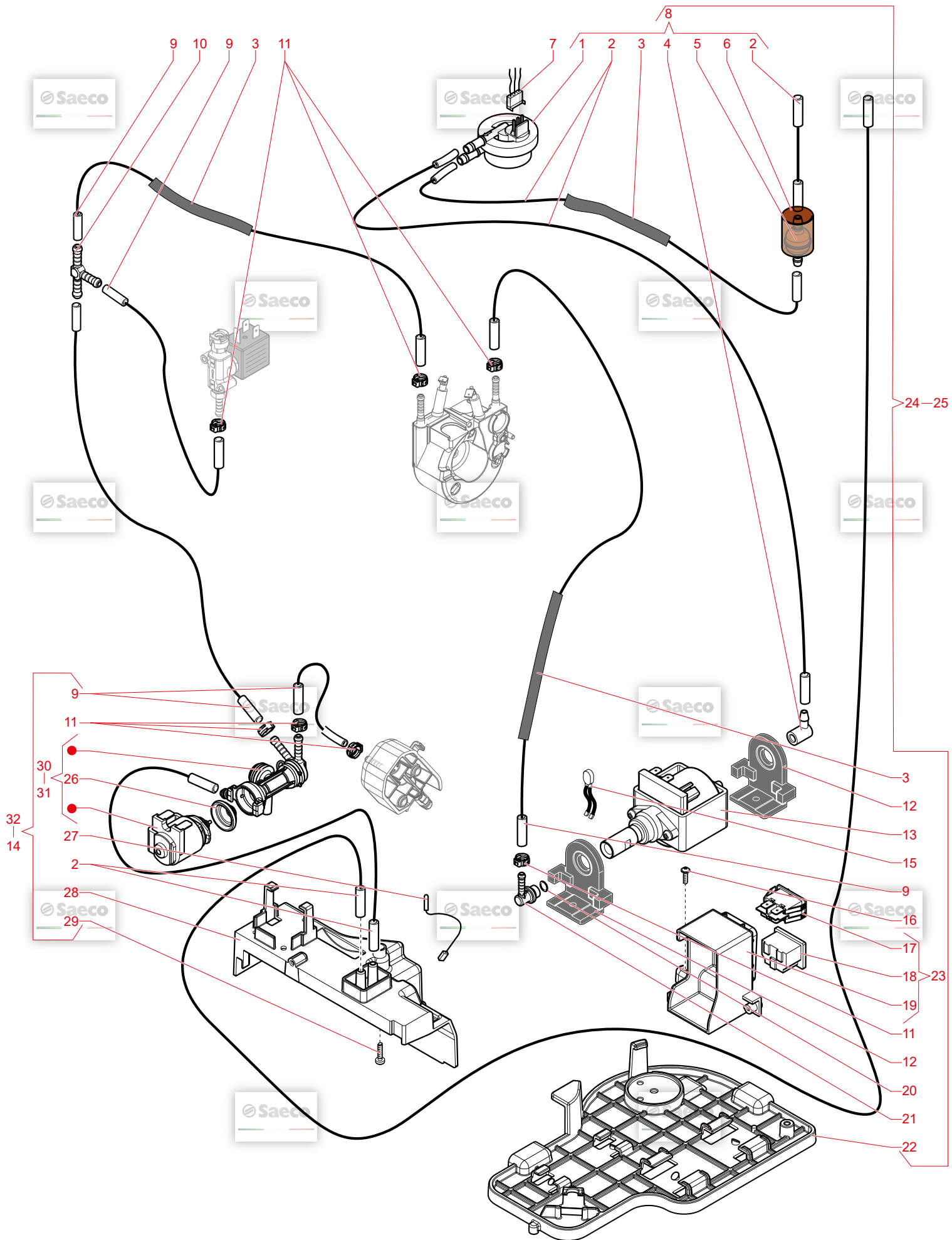
Auliika Office EVO



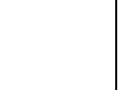


N.POSI	COD	I - DESCRIZIONE	UK - DESCRIPTION	F - DESCRIPTION	D - BEZEICHNUNG	E - DESCRIPCION
1	17000471	ANTIVIBRANTE CALD.RYL.NER.	BLACK BOILER ANTIVIBRATION RYL	ANTIVIBRATION CHAUDIERE	BLACK BOILER ANTIVIBRATION RYL	ANTIVIBRANTE CALD.RYL.NER.
2	12000450	VITE TCBR 3,5X12 PLAST.ZN-N	SCREW TCBR TORX 10 3.5X12 PLAST.	VIS TCBR TORX 10 3.5X12 PLASTZN	TORXSCHRAUBE 3.5X12	VITE TCBR 3,5X12 PLAST.ZN-N
3	421941229822	AS.CALD.T.SLIM V2 C2 T190°-190°	SLIM T.CHAUD.V2 C2 T190-190 1300	CHAUDIERE SLIM V2 T190°-190° 1300	AS.CALD.T.SLIM V2 C2 T190°-190°1	AS.CALD.T.SLIM V2 C2 T190°-190°1
4	421944057621	SUPP.FISSAG.CALDAIE.TUB.SLIM V	NEU.SLIM.TUB.BOILERS.SUPPORT.V2	NEU.SLIM.TUB.BOILERS.SUPPORT.V2	NEU.SLIM.TUB.BOILERS.SUPPORT.V2	NEU.SLIM.TUB.BOILERS.SUPPORT.V2
5	129573402	VITE.TCB.PHISW.4X10.UNI.8112.ZNP	SCREW TAPT M4X10 DIN 7985 GALV	VITE TCB PHISW 4X10 UNI 8112 Z	Temperatursensor NTC UL L=280 mm	VITE TCB PHISW 4X10 UNI 8112 ZNP
6	190800100	SENSORE TEMPERATURA NTC UL L=280M	TUB.BOILER.XS4.1300W.230V.ASSY.	CHAUDIERE TUBULAIRE NIE XS4 1300	TUB.BOILER XS4 1300W 230V ASSY.	SENSORE TEMPERATURA NTC UL L=280
7	421944024121	AS.CALD.TUB.XS4.1300W.230V	SCREW TSP TORX 10 5X35 PLAST.SS	VITE TSP 5X35 PLAST.INOX	TUB.BOILER XS4 1300W 230V ASSY.	TUB.BOILER XS4 1300W 230V ASSY.
8	12001369	VITE.TSP.5X35.PLAST.INOX	TERMOSTAT ONE SHOT 190°	TERMOSTAT ONE SHOT 190°	Tox 10 5x35	SCREW TSP TORX 10 5X35 PLAST.SS
9	12001033	TERMOSTATO ONE SHOT 190°	TUB.BOILER.V3.UPPER.THERM.FIXING	RESSORT V3 UPPER THERM.THERMOSTAT	TERMOSTAT 190°C ONE SHOT	TERMOSTATO ONE SHOT 190°
10	11001751	MOLLA FERM.TERMOS.SUP.CALD.TUB	BRASS BEINT FASTON 45° 6,3X0,8	RACCORD DE PROTECTION 45° 6,3X0,8	Haltbügel mit PE	MOLLA FERM.TERMOS.SUP.CALD.TUB.V
11	124390520	AS.CALD.T.SLIM V2 C2 T190°-190°	GALV.WASHER UNI 8842 A4	RONDELLE UNI 8842 A4 ZINC	Schweißleiterschleif 45°	AS.CALD.T.SLIM V2 C2 T190°-190°1
12	128310402	ROSETTA UNI 8842 A4 ZINC	SCREW TCB TORX 20 M4X8 AUTOFORMI	VIS CB TORX 20 M4X8 AUTOFORMING	FÄCHERSCHRAIBE A4 3 DIN6798 VERZI	ROSETTA UNI 8842 A4 ZINC
13	12001715	VITE.TCB.M4X8.AUTOFORM.S.TEST.	STEEL.COFFEE.TUBOL.BOILER.SUPPORT	SUPPORT CHAUD / TUBE CAFE	TORXSCHRAUBE 4X8	SCREW TCB TORX 20 M4X8 AUTOFORMI
14	17000163	SUPP.CALD.TUB.CAF.RYL.T ACC.	COFFEE TUB.BOILER.230V.RYL.I.P.ASS	COFFEE TUB.BOILER 230V RYL.I.P ASS	STEEL COFFEE TUBOL.BOILER SUPPOR	SUPP.CALD.TUB.CAF.RYL.T ACC.
15	11035974	AS.GEN.CALD.TUB.CAF.RYL.I.P.230V	SCREW TCB TORX B 3.5X9.5 SCHEET	VIS TCB B 3.5X9.5 LAMIERA ZN-N	COFFEE TUB BOILER 230V RYL.I.P ASS	AS.GEN.CALD.TUB.CAF.RYL.I.P.230V
16	12001622	VITE.TCB.B.3.5X9.5.LAMIERA.ZN.	STEEL.CONNECTORS.FIXING.PLATE.RY	PLAQUE DE BLOCAGE	TORXSCHRAUBE 3.5X9.5	VITE.TCB.B.3.5X9.5.LAMIERA.ZN.
17	17000428	PIAS.BLOCCAG.RACCORDI.RYL.ACC.	"BLK.EV.1/8".GAS.CONNECTOR.V2.INSE"	INSERT RACCORD ELECTROVANNE V2	"BLK EV 1/8" GAS CONNECTOR V2 INSE"	PIAS.BLOCCAG.RACCORDI.RYL.ACC.
18	17001178	"INS.RAC.1/8".GAS.ELETTROV.V2.RY"	"RED.EV.CONNECTOR.1/8".GAS.SEAL.V2"	CONNECTEUR ROUGE	"RED EV CONNECTOR 1/8" GAS SEAL V2"	"INS.RAC.1/8" GAS ELETTROV.V2.RY"
19	17001909	"GUARN.RAC.1/8".GAS.ELETTROV.V2.RY"	"TEA.BRASS.ELECTROV.CONNECT1/8".GA"	"RAC.1/8".GAS.ELETTROV.V2.RYL.OT/1"	"RAC.1/8" GAS ELETTROV.V2 RYL OT/1"	"GUARN.RAC.1/8" GAS ELETTROV.V2.RY"
20	11027334	"RAC.1/8".GAS.ELETTROV.V2.RYL.OT"	LFBRASS 2W.EV.21JN1R4V20-X031	ELECTROVANNE 2 VOIES	LFBRASS 2W.EV.21JN1R4V20-X031	"RAC.1/8" GAS ELETTROV.V2 RYL OT/1"
21	17001262	EV.ODE.2.VIE.21JN1R4V20-X031	TEA.BRASS.CONNECTOR.FOR.ALUM.BOI	"RACCORD.LAITON.1/8".M"	"Raccord gerade 1/8" Boiler messi"	"EV.ODE.2.VIE.21JN1R4V20-X031
22	11006304	"RAC.DIR.1/8".G.C/RESCA.CALD.AL"	BLACK ELECTROV/CONNECTOR SUPPRY	SUPP.ELETTROV/RAC.3VOIE.NOIR	BLACK ELECTROV/CONNECTOR SUPPRY	"RAC.DIR.1/8" G.C/RESCA CALD AL OT"
23	17000168	SUPP.ELETTROV/RAC.3VIE.RYL.NER	SCREW TCB TORX 20 M4X6 ZN-B	VIS TCB TORX 20 M4X6 ZN-B	Senkschraube TCB TORX 20 M4X6 ZN	SUPP.ELETTROV/RAC.3VIE.RYL.NER.
24	U043.012	VITE.TCB.TORX.20.M4X6.ZN-B	WASHER UNI 8842 A5 SS	RONDELLE	Unterlegscheibe A5.3 DIN 6798 in	VITE.TCB.TORX.20.M4X6.ZN-B
25	11035181	AS.ELETTROVALVOLE.V4.RYL.H.OT/	GALVANIZED SELF-TAPPING SCREW 4.	VIS.TCEI.AUTOFILET.4.8X32.ZINC	Schraube 4.8 x 32 selbstschneide	AS.ELETTROVALVOLE.V4.RYL.H.OT/TE
26	128310521	ROSETTA UNI 8842 A5 INOX	OR 2015 SILICONE CONNECTOR FOR SILICONE	ADAPTEUR DE LIASON TUBE	O-Ring 2015 SILIKON	ROSETTA UNI 8842 A5 INOX
27	11003555	VITE.TCEI.AUTOFILET.4.8X32.ZINC	BLACK HOT WATER PIN SUPPORT RYL	BOUCHON PIVOT	BLACK HOT WATER PIN SUPPORT RYL	VITE.TCEI.AUTOFILET.4.8X32.ZINC
28	11000750	RAC.FAST.LOCK.DIR.TUBO.SIL.RET	TEA.BRASS.HOT.WATER.PIN.PLUG.RYL	JOINT OR 0040-20 SILICONE ROUGE	TEA.BRASS.HOT.WATER.PIN.PLUG.RYL	RAC.FAST.LOCK.DIR.TUBO.SIL.RETIN
29	140328059	RAC.FAST.LOCK.DIR.TUBO.SIL.RET	SS FORK FOR TUBE D=4	AGRAFE TUYAU	O-Ring 0040-20 SILICONE	RAC.FAST.LOCK.DIR.TUBO.SIL.RETIN
30	17000156	SUPP.PERNO.PASS.ACQ.CALDA.RYL	TEA.BRASS BOILER PIN BUSH	PIVOT LATION	Fixierhülse zu Boiler messing	SUPP.PERNO.PASS.ACQ.CALDA.RYL
31	11026413	TAPPO.PERNO.PASS.ACQ.CALDA.RYL	TEA.BRASS PIN FOR PISTON L=10	PIVOT POUR PISTON L=10 OT/TEA	Slitt zu Ventil L=10	TAPPO.PERNO.PASS.ACQ.CALDA.RYL
32	140326662	OR.ORM.0040-20.SILICONE	SS SPRING FOR PIN	RESSORT POUR EPINGLE	O-Ring 0040-20 Silikon	OR.ORM.0040-20 SILICONE
33	9011.144	FORCELLA X TUBO D=4 INOX	TEA.BRASS PISTON L=20,9 ASSY.	ENS PISTON	Sicherungsfeder Schlauch VI, RO	FORCELLA X TUBO D=4 INOX
34	11009012	BOCC.PERNO.CALD.OT/TEA	HOT WATER PIN	PIPE TTE CHAUDIERE	Boiler messing	BOCC.PERNO.CALD.OT/TEA
35	11009013	PERNO X PISTONCINO L=10 OT/TEA	NATURAL CURSOR V2 FOR BOILER P11	CURSEUR DE CHAUDIERE P119	FEDER VENTILSTUTZEN	PERNO X PISTONCINO L=10 OT/TEA
36	9011.132	MOLLA.PISTONCINO.INOX	OR ORM 0090-20 SILICONE	JOINT OR ORM 90-20	VENTILSTIFT + DICHTUNG VITON	MOLLA.PISTONCINO.INOX
37	11009019	AS.PISTONCINO C/GOLA L=20,9 OT	OR ORM 0050-20 IN SILICONE	JOINT OR ORM 50-20	Ventilzapfen MA-RD	AS.PISTONCINO C/GOLA L=20,9 OT/1
38	9161.434	PERNO.PASS.ACQUA.CALDA	TEA.BRASS HOT WATER PIN RYL ASSY	ENS.PIVOT.PASSAGE.EAU.CHAUDE	Ventiltapfen MA-RD	PERNO.PASS.ACQUA.CALDA
39	11005099	CURSORE.CALD.V2.P119.PEEK.NAT.			GLEITSTÜCK AUSLAUFSTUTZEN	CURSORE.CALD.V2.P119.PEEK.NAT.
40	NM01.035	OR.ORM.0090-20.SILICONE			O-RING ORM 0090-20 SILICON	OR.ORM.0090-20 SILICONE
41	NM01.057	OR.ORM.0050-20.SILICONE			O-RING ORM 0050-20 SILICON	OR.ORM.0050-20 SILICONE
42	11025744	AS.PERNO.PASS.ACQ.CALDA.RYL.OT			TEA.BRASS.HOT.WATER.PIN.RYL.ASSY	AS.PERNO.PASS.ACQ.CALDA.RYL.OT/1





N.POSI COD	I - DESCRIZIONE	UK - DESCRIPTION	F - DESCRIPTION	D - BEZEICHNUNG	E - DESCRIPCION
1	NV99,089	TURBINE D=1,2 ASSY.	DEBITMETRE D=1,2	TURBINE D=1,2	AS.TURBINA D=1,2
2	11035450	SILICONE TUBE 5X10 L.2000MM	SILICONE TUBE 5X10 L.2000MM	SILICONE TUBE 5X10 L.2000MM	TUBO SILICONE 5X10 TRASP. L.2000
3	11032467	SILICONE TUBE 11X12,8 L.2000 MM	TUBE SILICONE 11X12,8	Siliconschlauch 11X12,8 l=2mtr.	TUBO SILICONE 11X12,8 L=2000 MM
4	147920150	90° INLET PUMP CONNECTOR	RACCORD 90° CAOUTCHOC	Pumpenanschluswinkel 90° weiß Ku	RAC.INGRESSO A 90° POMPA NEU.
5	12001595	TRANS/WHITE ASPIRATION FILTER M	FILTRE D'ASPIRATION	Ansaugfilter M/D's weiß/transparen	FILTRO ASPIRAZ.MDS BIA/TRASP.
6	147756562	BLK PROTECTION FOR FOLK SPRING T	BLK PROTECTION FOR TUBE	Abdeckung zu Klemmfeder	PROTEZ.MOLLA FORCELLA TUBO D
7	421946001551	6P CONN FLOWMETER V3 RYL UL ASSY	CONNECTEUR 6 POLES	6P CONN FLOWMETER V3 RYL UL ASSY	6P.CONN.FLOWMETER V3 RYL UL ASSY
8	263226	PINK 5X8,9 SILICONE TUBE L=2000MM	TUBO SIL.RETIN.5X8,9 L=2000MM RO	TUBO SIL.RETIN.5X8,9 L=2000MM RO	TUBO SIL.RETIN.5X8,9 L=2000MM RO
9	11027788	T CONNECTOR FOR BOILER P604	RACCORD EN T CHAUD P604	T-Raccord Boilerausgang P604 neu	RAC.A T USCITA CALD P604 NEU.
10	11007493	OETIKER CLAMP D=9,5 16700004	AGRAFES OETIKER D=9,5 16700004	OETTINGERKLEMMME D=9,5	FASCETTA OETIKER D=9,5 16700004
11	12000892	BLACK PUMP SUPPORT GMYB	SUPPORT POMPE NOIR GMYB	Support Pumpe	SUPP.POMPA GMYB NER.
12	11022857	PUMP 230V-50HZ	PUMP 230V-50HZ	PUMP 230V-50HZ	POMPA 230V-50HZ PLASTICA
13	12000140	220V/BLK PROT+BLOWDOWN VALVE RYL	220V/BLK PROT+BLOWDOWN VALVE RYL	220V/BLK PROT+BLOWDOWN VALVE RYL	AS.PROT+VALV.SCARICO RYL/O NER/2
14	11036862	2POLES CONNECTOR COFFEE PUMP RYL	CONNECTEUR 2 POLES POMPE CAFE	2POLES CONNECTOR COFFEE PUMP RYL	AS.CONN.2P.POMPA CAF.RYL UL
15	17800202	SCREW TCBR TORX 10 3,5X12 PLAST.	VIS TCBR TORX 10 3,5X12 PLASTZN	TORXSCHRAUBE 3,5X12	VITE TCBR 3,5X12 PLAST.ZN-N
16	12000450	BIPOLAR SWITCH FUSIT C1250AR	INTERRUPTEUR BIPOLAIRE	Schalter Ein/Aus MA-RD	INT.BIPOL.FUSIT C1250AR
17	NE03,038	CUP SOCKET V3 EN 60320 C.13	SOCLE DE PRISE	CUP SOCKET V3 EN 60320 C.13	PRESA A VASCH.C/SMUSSI V3 EN 603
18	12001883	BLACK SOCKET-SWITCH SUPPORT RYL	SUPPORT PRISE INTERRUPTEUR	Support Stecker und Schalter sch	SUPP.PRESA E INTERRU.T.RYL NER.
19	17000182	O-RING 2031 NFDA NBR 70 FDA	O-RING 2031 NFDA NBR 70 FDA	O-RING 2031 NFDA NBR 70 FDA	OR 2031 NFDA NBR 70 FDA
20	140321961	BLK PUMP OUTLET 90° CONNECTOR P00	RACCORD 90° SORTIE DE POMPE	RACCORD 90° zu Pumpe	RAC.90° USCITA POMPA P0049/B NER
21	11001054	SUPP COMPONENTS SUPPORT RYLO	SUPPORT DE COMPOSANT NOIR	BLACK COMPONENTS SUPPORT RYLO	SUPP.COMPONENTI RYLO NER.
22	17000973	COMPONENTS SUPP.230V RYL V2 ASSY			
23	263201	COMPONENTS SUPP. 220 BRA RYL V2			
24	11034707	BLOWDOWN VALVE MEMBRANE SEAL P00	GUARNIZ.A MEMBRANA VALV.SCARICO		GUARNIZ.A MEMBRANA VALV.SCARICO
25	11034708	AS SUPP COMPONENT V2 RYL 230V	CONNECTEUR 2 POLES		2POLES CONNECT SENSOR REED DUMP
26	11001513	GUARNIZ.A MEMBRANA VALV.SCARIC	PROTECTION BAC RECUIPEAU		PROTI.VASCA REC.ACCO.RYL NER.
27	17800442	AS.CONN.2P.SENS REED FONDI CST	VIS TCB 3X12 PLASTZN-B	Torx-Schraube 3X12 ZN-B	VITE TCB 3X12 PLAST.ZN-B
28	17000185	PROT.VASCA REC.ACCO.RYL NER.	BLACK DRIP TRAY PROTECTION RYL		AS.VALV.SCARICO V3 RYL 230V
29	129913902	VITE TCB 3X12 PLASTZN-B	SCREW TCB TORX 10 3X12 PLASTZN-		AS.VALL.SCARICO V3 RYL 230V
30	11025742	AS.VALL.SCARICO V3 RYL 230V	BLOWDOWN VALVE V3 RYL 230V ASSY.		AS.VALL.SCARICO V3 RYL 230V
31	11028161	AS.VALL.SCARICO V3 RYL 220V-60	BLOWDOWN VALVE V3 RYL 220V-60HZ		BLOWDOWN VALVE V3 RYL 220V-60HZ
32	11035973	AS.PROT+VALV.SCARICO RYL/H NER	230V/BLK PROT+BLOWDOWN VALVE RYL		AS.PROT+VALV.SCARICO RYL/H NER/2



Aulika Office EVO

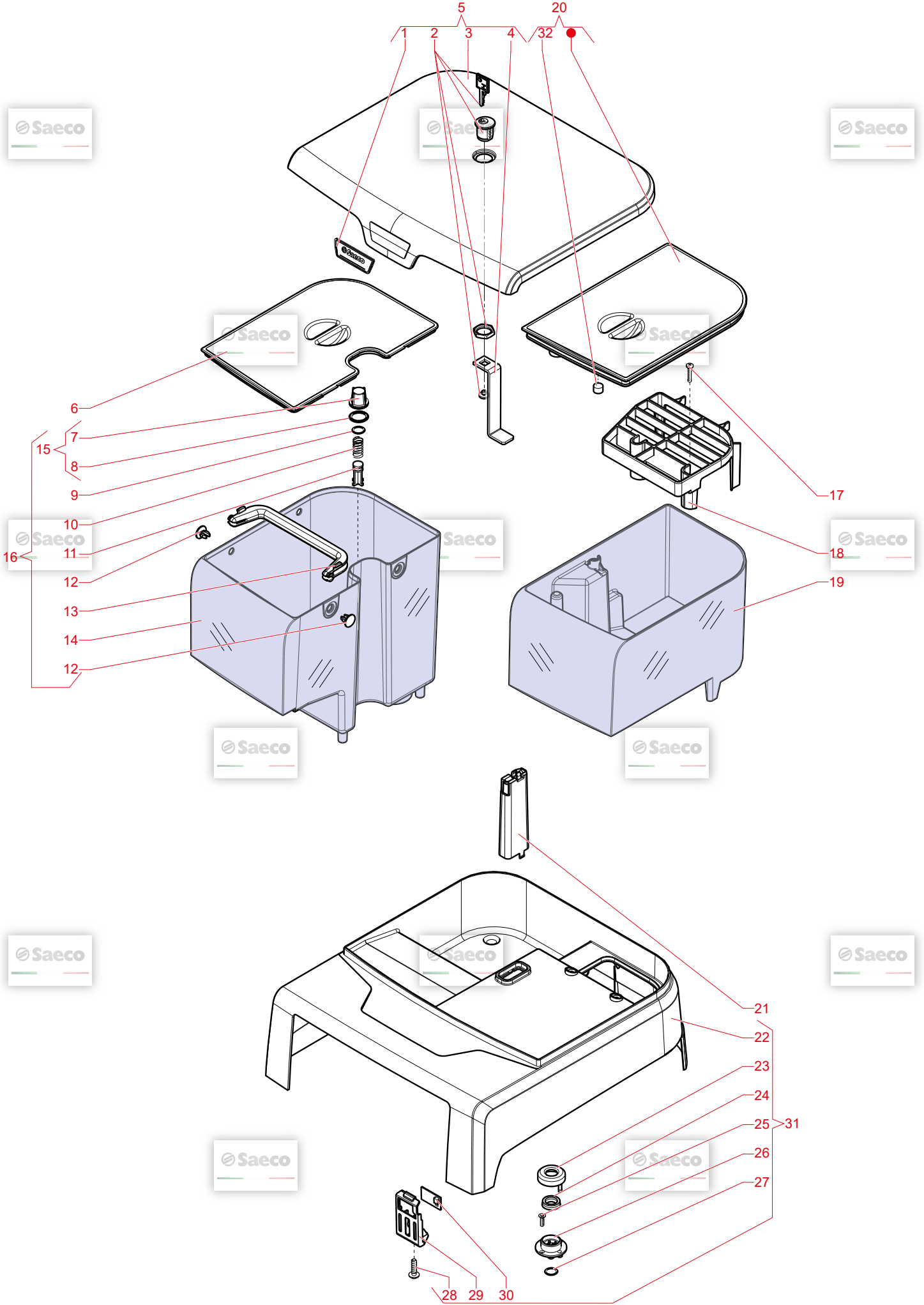
12/02/2020

05

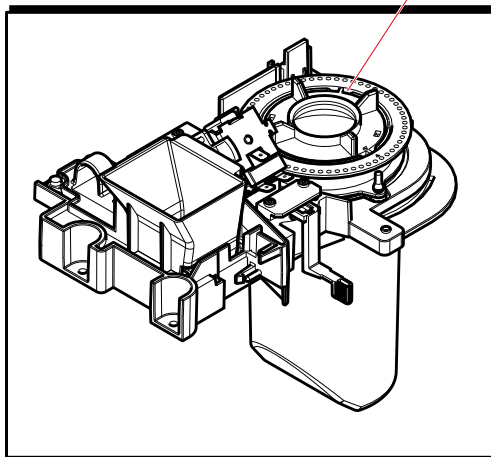
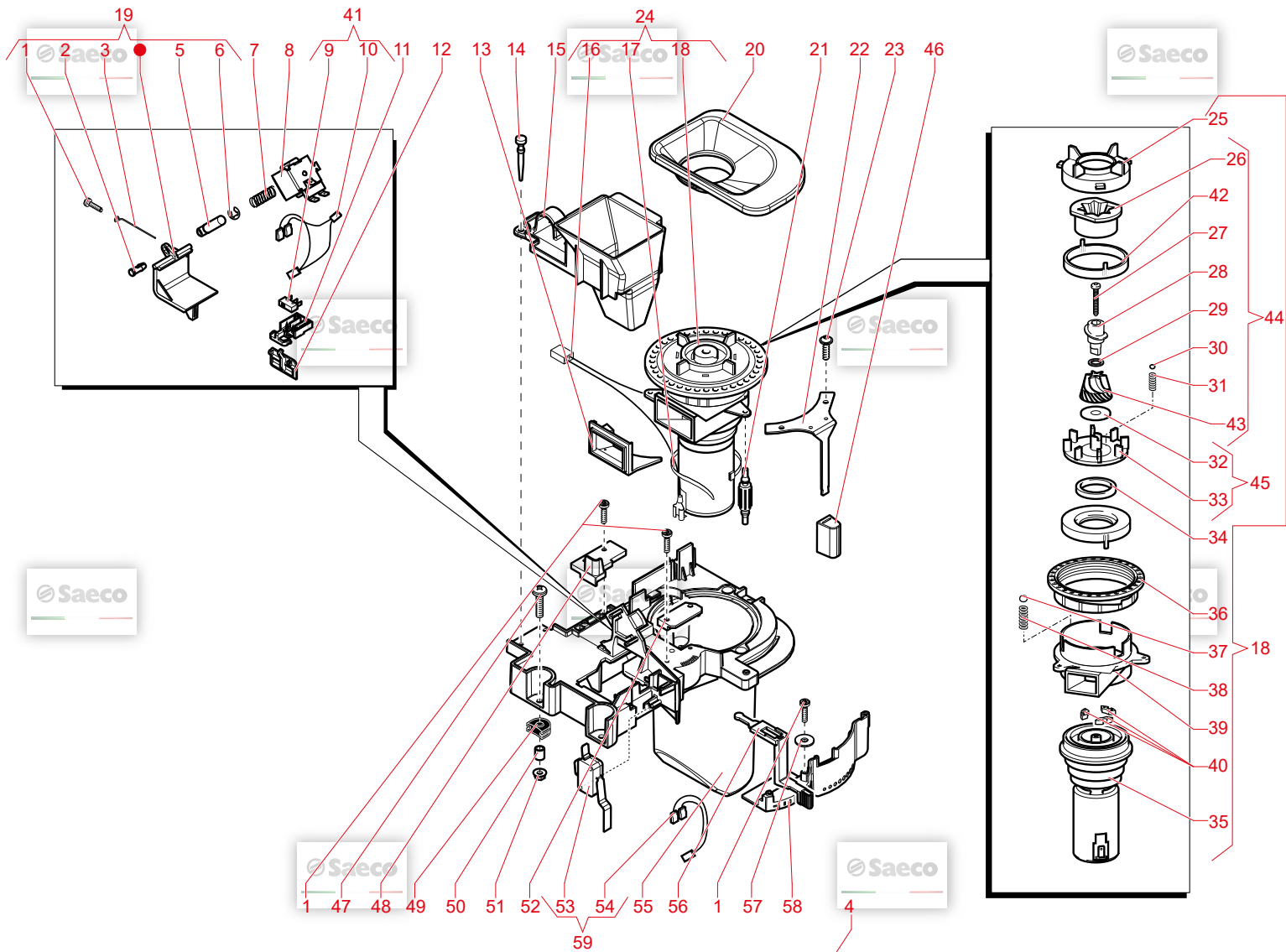
C0253X00

GAGGIO MONTANO

© by Saeco, a company of EVOCA Group



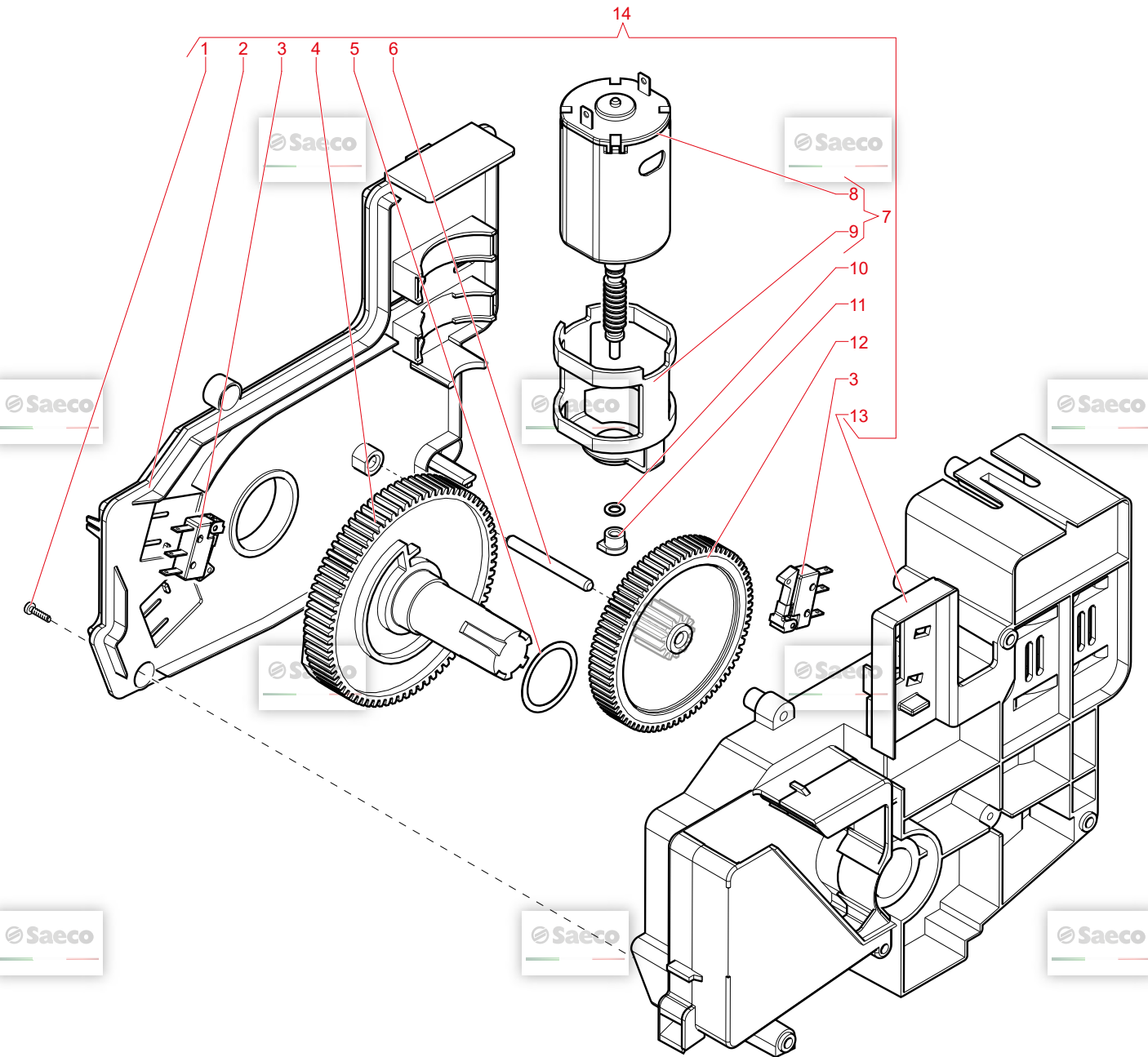
N.POSI COD	I - DESCRIZIONE	UK - DESCRIPTION	F - DESCRIPTION	D - BEZEICHNUNG	E - DESCRIPCION	NOTE
1	11036717	LOGO ADESIVO SAE RYL/E	STICKER LOGO SAE RYL/E	STICKER LOGO SAE RYL/E	LOGO ADESIVO SAE RYL/E	
2	12001902	SERRATURA MERONI 337	SERRURE MERONI 337	CONTAINERS TOP COVER RYL/E TO A	SERRATURA MERONI 337	230V
3	11036751	COP/CONTENITORI RYL/E D/AS.	CONTAINERS TOP COVER RYL/E TO A	STEEL CONTAINERS LID LOCK BRACKE	COP/CONTENITORI RYL/E D/AS.	
4	17001987	STAFFA SERRATURA COP/CONT.RYL/O	PLAQUE DE SERRURE POUR COUVERCLE	CONT/COVER W/LOCK RYL/E ASSY	STEEL CONTAINERS LID LOCK BRACKE	
5	11036745	AS.COP/CONT.C/SERRATURA RYL/E	CONT/COVER W/LOCK RYL/E ASSY	COUVERCLE BAC EAU NOIR	AS.COP/CONT.C/SERRATURA RYL/E	
6	11025848	COP/CONT.ACCO RYL/O NER.	BLACK WATER CONTAINER LID RYLO	FILTRE POUR RESERVOIR A EAU	BLACK WATER CONTAINER LID RYLO	
7	144650800	FILTRO EST.CONT.ACCO.BIA.	WHITE WATER CONTAINER EXT.FILTER	JOINT OR 0190-10 EPDM	FILTRO EST.CONT.ACCO.BIA.	
8	140328461	OR ORM 0190-10 EPDM	OR ORM 0190-10 EPDM	JOINT DE BAC 0060-30	OR ORM 0190-10 EPDM	
9	140324362	OR ORM 0060-30 SILICONE	SS WATER CONTAINER VALVE SPRING	RESSORT DE VALVE	OR ORM 0060-30 SILICONE	
10	126764718	MOLLA CILINDR.VALV/CONT.ACCO.IN	GREY PISTON FOR WATER CONTAINER	PISTON X VALVE BAC EAU	MOLLA CILINDR.VALV/CONT.ACCO.INOX	
11	147660562	PIST.VALV/CONT.ACCO.GRI.	BLACK PLUG FOR WATER CONTAIN.HAN	BOUCHON POIGNEE BAC EAU	PIST.VALV/CONT.ACCO.GRI.	
12	17001255	TAPPO MANIGLIA CONT.ACCO.RYL/NE	BLACK HANDLE WATER CONTAINER LID	POIGNEE BAC EAU NOIR	TAPPO MANIGLIA CONT.ACCO.RYL/NER.	
13	11025847	MANIGLIA CONT.ACCO.RYL/O NER.	TRANSPP/GREY WATER CONTAINER NIS/	TRANSPP/GREY WATER CONTAINER LID	MANIGLIA CONT.ACCO.RYL/O NER.	
14	11025845	CONT.ACCO.RYL/O GRI/TRASP/D/ISER.	WHITE WATER CONTAINER EXT.FILTER	WHITE WATER CONTAINER EXT.FILTER	CONT.ACCO.RYL/O GRI/TRASP/D/ISER.	
15	224640200	AS.FILTRO EST.CONT.ACCO.BIA.	TRANSPP/GRY WATER CONTAINER RYLO	TRANSPP/GRY WATER CONTAINER RYLO	AS.FILTRO EST.CONT.ACCO.BIA.	
16	11035694	AS.CONT.ACCO.RYL/O GRI/TRASP.V2	SCREW TCB TORX 10 3X12 PLAST.SS	BAC A EAU COMPLET V2	AS.CONT.ACCO.RYL/O GRI/TRASP.V2	
17	12001431	VITE TCB 3X12 PLAST.INOX	SCREW TCB TORX 10 3X12 PLAST.SS	VIS TCB 3X12 PLAST.INOX	VITE TCB 3X12 PLAST.INOX	
18	263175	GRIGLIA PROTEZ CONT.CAF EVO	TRANSPP/GREY BEAN CONTAINER RYLO	BAC CAFE GRAIN	GRIGLIA PROTEZ CONT.CAF EVO	
19	11025841	CONT.CAF.GRA.RYL/O GRI/TRASP.	BLACK BEAN COFFEE CONTAIN LID RY	COUVERCLE BAC CAFE NOIR	CONT.CAF.GRA.RYL/O GRI/TRASP.	
20	11025844	AS.COP/CONT.CAF.GRA.RYL/O NER.	BLACK BEAN CONTAINER SENSOR SUPP	SUPPORT SENSEUR BAC CAFE RYLO NO	AS.COP/CONT.CAF.GRA.RYL/O NER.	
21	17000829	SUPP.SENS.CONT.CAF.GRA.RYL/O NE	TOP COVER BLK RYL/E	GREY WATER VALVE GACO DIM 14 SEA	SUPP.SENS.CONT.CAF.GRA.RYL/O NER.	
22	11036719	COP/CARC. BLK RYL/E	NBR WATER CONT.VALVE GACO DIM14	SCREW TSP TORX 10 3X10 PLAST.SS	COP/CARC. BLK RYL/E	
23	0701.031.150	COP/GUARN.GACO DIM 14 VALV/ACQ	GREY WATER VALVE GACO DIM 14 SEA	OR ORM 0080-20 TERMOIL	COP/GUARN.GACO DIM 14 VALV/ACQ	
24	145842900	GUARN.GACO DIM14 VALV/CONT.ACCO	NBR WATER CONT.VALVE GACO DIM14	SCREW TSP TORX 10 3X10 PLAST.SS	GUARN.GACO DIM14 VALV/CONT.ACCO	
25	12000895	VITE TSP 3X10 PLAST.INOX	SCREW TSP TORX 10 3X10 PLAST.SS	GREY WATER VALVE GACO DIM 14 SEA	VITE TSP 3X10 PLAST.INOX	
26	0701.014.150	CONT.GUARN.GACO DIM 14 VALV/AC	OR ORM 0080-20 TERMOIL	OR ORM 0080-20 TERMOIL	CONT.GUARN.GACO DIM 14 VALV/ACQ.	
27	140320461	OR ORM 0080-20 TERMOIL	SCREW TCBR TORX 10 3,5X12 PLAST.	SCREW TCBR TORX 10 3,5X12 PLAST.	OR ORM 0080-20 TERMOIL	
28	12000450	VITE TCBR 3,5X12 PLAST.ZN-N	BLACK WATER LEVEL SENSOR SUPPORT	BLACK WATER LEVEL SENSOR SUPPORT	VITE TCBR 3,5X12 PLAST.ZN-N	
29	17001444	SUPP.SENS.CAPACITIVO LEVEL.ACCO	CPU+SW WATER LEVEL SENSOR V3 ASS	PLATINE SENSEUR NIVEAU D'EAU	SUPP.SENS.CAPACITIVO LEVEL.ACCO.R	
30	421941306721	AS.CPU+SW SENS.ACCO. V3	TOP COVER RYL/E ASSY	TOP COVER RYL/E ASSY	CPU+SW WATER LEVEL SENSOR V3 ASS	
31	11036744	AS.COP/CARC. RYL/E	D=6 H=4 MAGNET P0049	MAGNETE D=6 H=4 COP/CONT.CAF.GRA	AS.COP/CARC. RYL/E	
32	11004160	MAGNETE D=6 H=4 COP/CONT.CAF.G			MAGNETE D=6 H=4 COP/CONT.CAF.GRA	



N.POSI	COD	I - DESCRIZIONE	UK - DESCRIPTION	F - DESCRIPTION	D - BEZEICHNUNG	E - DESCRIPCION	NOTE
1	129913902	VITE TCB 3X12 PLASTZN-B	SCREW TCB TORX 10 3X12 PLASTZN-	VIS TCB 3X12 PLASTZN-B	Torx-Schraube 3x12 ZN-B	VITE TCB 3X12 PLASTZN-B	
2	9161.076.150	PERNO SPORT.DOS.CAF.MAC.GRI.	GREY GROUND COF.DOSER DOOR PIN	AXE PORTIERE DE DOSEUR	Feder Dosierklappe MA, VI	PERNO SPORT.DOS.CAF.MAC.GRI.	
3	2632.15	ASTA RASATORE DOS.CAF.MAC.ACC.	STEEL GROUND COF.DOSER SCRAPER R	AIGUILLE D'ARASAGE		ASTA RASATORE DOS.CAF.MAC.ACC.	
4	9161.041	AS.GEN.PIAS.MC.RY.LEVO.230V	STEEL GROUND COF.DOSER ELECTROMA	CONTACT DE BOBINE DOSEUR	Eisenkern 9x40 DosierMagnService	NUCLEO ELETTROM.DOS.CAF.MAC.ACC.	
5	9161.041	NUCLEO ELASTICO DOS.CAF.MAC.ACC.	SNAP RING 7 UNI 7434	RONDELLE 7 UNI 7434	Sicherungsring ø7 elastisch	ANELLO ELASTICO 7 UNI 7434	
6	126764818	MOLLA X ELETTROM.DOS.CAF.GRANI	SPRING ELECTROM.BEAN DOSER MAGIC	RESSORT D'ELECTRO AIMANT DOS.CAF	Feder zu Elektromagnet	MOLLA X ELETTROM.DOS.CAF.GRANI MA	
7	11025734	AS.BOBINA DOSATORE SUPERAUTOM.	DOSEUR COIL FOR SUPERAUTOM.24V DC	ESS.BOBINES DOSEUR 24VDC	DOSEUR COIL FOR SUPERAUTOM.24V DC	AS.BOBINA DOSATORE SUPERAUTOM.24	
8	NE05.017	MICROINTERRUTTORE	MICROSWITCH	MICRO CONTACT DE MOUTURE	Mikroschalter Dosierer MA, RO	MICROINTERRUTTORE	
9	421946000541	AS.CONN.4P.BOBINA+MICRO DOSAT.	4P.CONN.COIL+DOSEUR MICRO V2 RYL	CONNECTION 4 POLES MICRO DOSEUR	4P.CONN.COIL+DOSEUR MICRO V2 RYL	4P.CONN.COIL+DOSEUR MICRO V2 RYL	
10	9161.072.150	CURSORE SUPP.MICRO DOS.CAF.MAC	GREY MICRO SUPP.CURSOR GROUND CO	SUPPORT MICRO CONTACT	Halterung Dosiermikro MA	CURSORE SUPP.MICRO DOS.CAF.MAC.G	
11	9161.073.150	BILANCERE CONTROL.DOSE.CAF.MAC	STEEL GRINDING ADJUSTMENT LEVER	PLAQUE CONTR.DOSE CAFE	Schaltplättchen grau	BILANCERE CONTROL.DOSE.CAF.MAC.G	
12	1505.014	GUARNIZIONE DOSATORE	COFFEEGRINDER SEAL	GARNITURE DOSEUR	Dichtung Mühle	GUARNIZIONE DOSATORE	
13	9161.082	AGGANCIIO IN GOMMA	RUBBER COUPLER	FIXATION CAOUTCHOUC	Gummikupplung	AGGANCIIO IN GOMMA	
14	17000176	TRAMOGGIA.DOSE.CAF.MAC.RYL.NER.	BLACK HOPPER FOR POWDER COFFEE R	CONDUIT DOSE CAFE NOIR	BLACK HOPPER FOR POWDER COFFEE R	TRAMOGGIA.DOSE.CAF.MAC.RYL.NER.	
15	263202	AS.CON.2POLI.MACINACAFFE'EVO	SELF LOCK STRIP W=2.6 L=200	COLLIER AUTOSERRANT L=200MM	Kabelbinder, l=200mm	FASCIETTA AUTOBLOC.W=2.6 L=200 B	
16	144320200	FASCIETTA AUTOBLOC.W=2.6 L=200	COFFEE GRINDER STD.230V ASSY.	MOULIN CAFE COMPLET 230 V STD.	Mahlwerkmotor, kopt. 230V MA-RO	AS.MACINACAFFE STD 230V	
17	9140.036.00A	AS.MACINACAFFE STD 230V	GREY GROUND COF.DOSER DOOR ASSY.		GREY GROUND COF.DOSER DOOR ASSY.		
18	9140.017	AS.SPORT.DOS.CAF.MAC.GRI.	COFFEE GRINDER SOUNDPROOFING COV	COUVERCLE INSONORISE	Abdeckung/Schaltschutz Mahlwerk	COP.INSONORIZAZIONE MC RYL R.	
19	17000238	COP.INSONORIZAZIONE MC RYL	ANTIVIBRATION FOR COFFEEGRINDER	SILENT BLOC	Schwingungsdämpfer VI	ANTIVIBRANTE X MACINACAFFE'	
20	9991.103	ANTIVIBRANTE X MACINACAFFE'	STEEL GRINDING ADJUSTMENT LEVER	LEVIER DE REGLAGE MEULE	Mahlgradeinstellhebel ROF	LEVA REGOL.MACIN.ACC.	
21	0333.008	LEVA REGOL.MACIN.ACC.	SCREW TCB TORX 10 3.5X12 PLAST.	VIS TCB TORX 10 3.5X12 PLASTZN	TORXSCHRAUBE 3,5X12	VITE TCBR 3,5X12 PLASTZN-N	
22	12000450	VITE TCBR 3.5X12 PLASTZN-N	BLACK UPPER GRINDER SUPPORT MAGI	SUPPORT MEULE SUPERIEUR	Mahlringaufnahme	SUPPORTO MACINA SUPERIORE MAGIC	
23	2632.14	AS.MACINACAF. STD RYLEVO 230V	UPPER GRINDER	MEULE SUPERIEUR	Mahlring	MACINA SUPERIORE	
24	149186150	SUPPORTO MACINA SUPERIORE MAGI	TORX SCREW T10 TCB 3.5X40 SX ZNG	VIS TORX T10 TCB 3.5X40 SX ZNG	Torx-Schraube T10 TCB 3.5x40 lin	VITE TORX T10 TCB 3.5X40 SX ZNG	
25	9141.039	MACINA SUPERIORE	BLK INCREASE SCREW PIN COF.GRIND	VIS DE FINESSSE	Mahlschnecke MA, RO, VI	PERNO INCREMENTO A VITE.MC.MAG	
26	129931002	VITE TORX T10 TCB 3.5X40 SX ZNG	PLAIN WASHER 10X16X0.2DIN 988 GA	RONDELLE	Unterflanschscheibe ø10x16x0.2 DIN	ROSETTA PIANA 10X16X0.2DIN 988 Z	
27	147470763	PERNO INCREMENTO A VITE.MC.MAG	STAIL STEEL AISI 304 SPHERE D=5.	SPHERE D 5.5	Feder ø5,5mm für Rutschkupplung	SFERA D=5.5MM ACCIAIO INOX AISI	
28	U201.002	ROSETTA PIANA 10X16X0.2DIN 988	STEEL SPRING SPHERE D=5.5 MOTOR	RESSORT SPHERE D5.5	Feder Rutschkupplung MA, RO, VI	MOLLA ACC.X SFERA D=5.5 MOTORE M	
29	128610521	SFERA D=5.5MM ACCIAIO INOX AISI	SAFETY RING	SAFETY RING	Metalleinsatz zu Support Mahlwer	ANELLO DI SICUREZZA	
30	126765517	MOLLA ACC.X SFERA D=5.5 MOTORE	BLACK LOWER GRINDER SUPPORT MAGI	SUPPORT DE MEULE INF.	Support zum Mahlwerk unten	ANELLO IN FELTRO DE=40 DI=34 H=5	
31	9141.042	ANELLO DI SICUREZZA	FELT RING 40X34X5	ANNEAU FEUTRE 40 DI=34 H=5	Filtzring	ANELLO IN FELTRO DE=40 DI=34 H=5	
32	9141.028	SUPPORTO MACINA INFERIORE MAGI	SPARE MOTOR UNIT MC 230V	MOTEUR MOUTURE MAGIC NEW	Mahlwerkmotor mit Getriebe 230V	MOTORE COMPLETO 230V	
33	140360200	ANELLO IN FELTRO DE=40 DI=34 H	RING NUT FOR GRINDING ADJUSTMENT	BAGUE DE REGLAGE	Verstellung	MOTORE COMPLETO 230V	
34	0301.R10.00A	MOTORE COMPLETO 230V	STAIL STEEL AISI 304 SPHERE D=3	SPHERE INOX D=3mm	Kugel ø 3,2mm Einstellring Mahlg	GHIERA REGOLAZION.MACINATURA MAG	
35	146570950	GHIERA REGOLAZION.MACINATURA M	NEW SPRING SPHERE D=3.2 MOTOR MA	RESSORT DE SPHERE	Feder Einstellring ø 3,2 MA, RO, V	SFERA D=3.2MM ACCIAIO INOX AISI	
36	128610421	SFERA D=3.2MM ACCIAIO INOX AISI	BLACK COFFEE GRINDER MOTOR SUPPO	SUPPORT MOTEUR	Motorhalterung Royal	MOLLA NEW X SFERA D=3.2 MOTORE M	
37	128610421	MOLLA NEW X SFERA D=3.2 MOTORE	SHOCK ABS. CONICAL GRINDER SUPP.	AMORTISSEUR SUPPORT MEULE MAGIC	Mitnehmer Gummi	SUPP.MOTORE MC NER.	
38	126770117	MOLLA NEW X SFERA D=3.2 MOTORE	COIL WIRING+DOSEUR MICRO V2 RYL U			AMMORTIZ.X SUPPORTO MACINA CONIC	
39	9141.080	SUPP.MOTORE MC NER.	UPPER GRINDER COVER COFFEE GRIND	CONICAL GRINDER	Mahlringabdeckung	COPERT X MACINA SUPER.MACINACAF.	
40	140230400	AMMORTIZ.X SUPPORTO MACINA CON	CONICAL GRINDER	MEULE CONIQUE	Mahlkegel	MACINA CONICA	
41	421946000921	AS.CABL.BOBINA+MICRO DOSAT.V2	KIT ITAL MILL GRINDERS	KIT MEULE	Mahlkegel + Mahlring MA, RO, VI.	SUPPOR.C/ANEL.X MACINA CONICA MA	
42	142844550	COPERT X MACINA SUPER.MACINACA	CONICAL GRIND. SUPP. + RING MAGI	SUPPORT MEULE CONIQUE	Support unten mit Metalleinsatz	IMPUGN.LEVA REGUL.MACIN.ROYAL NE	
43	9141.040	MACINA CONICA	BLK GRINDING ADJUST.LEVER HANDGR	POIGNEE PROTECTION VAPEUR	Griffteil Einstellhebel ROF	VITE TCB TORX 20 M4X16 ZN-B	
44	226477700	KIT MACINE ITAL MILL	ZN-B TCB TORX 20 M4X16 ZN-B	VIS TCB TORX 20 M4X16 ZN-B	LINSEN BLECHSCHR. MTCB TORX 20 M	VITE TCB TORX 20 M4X16 ZN-B	
45	149188750	SUPPOR.C/ANEL.X MACINA CONICA	GREY COVER FOR DOSEUR HOLE RYL	COUVERCLE GRIS DOSEUR	GREY COVER FOR DOSEUR HOLE RYL	COP.FORO DOSATORE RYL GRI.	
46	0333.009	IMPUGN.LEVA REGUL.MACIN.ROYAL	RUBBER FOR COFFEE GRINDER	SILENT BLOC CAFE MOULU	Gummihalterung Mahlwerkmotor MA	COP.FORO DOSATORE RYL GRI.	
47	U043.004	VITE TCB TORX 20 M4X16 ZN-B	SPACER FOR RUBBER	RONDELLE D'ECARTEMENT	Distanzhülse	GOMMINO X MACINACAFFE'	
48	17001155	COP.FORO DOSATORE RYL GRI.	GREY GROUND COF.DOSER LEVER FIXI	ECROU	Sechskantmutter M4 DIN 934	DADO M4 FLANGIATO BASE DENTE LLA	
49	9991.005	GOMMINO X MACINACAFFE'	GREY GROUND COF.DOSER LEVER FIXI	MEULE CONIQUE	Montageplättchen MA	DADO M4 FLANGIATO BASE DENTE LLA	
50	9141.003	DISTANZIALE X GOMMINO	MICROSWITCH	MICRO INTERRUPTEUR	MICROSCHWITZ	PIAST.FISSAG.LEVA DOS.CAF.MAC.GR	
51	U324.006	DADO M4 FLANGIATO BASE DENTE LLA	2P.CONN.DOOR MICRO V2 RYL UL ASS	PLAQUE DE FIXATION	Montageplättchen MA	PIAST.FISSAG.LEVA DOS.CAF.MAC.GR	
52	9161.097.150	PIAST.FISSAG.LEVA DOS.CAF.MAC.	2P.CONN.DOOR MICRO V2 RYL UL ASS	MICRO INTERRUPTEUR	Micro Interrupteur	MICROINTERRUTTORE	
53	12001605	MICROINTERRUTTORE	DOSEUR PLATE COFFEEGRINDER MAGIC/R	PLAQUE SUPPORT MOULIN	Montageplatte Mühle grau Royal	PIAST.MC.MAGIC/ROYAL GRI.	
54	421946000501	AS.CONN.2P.MICRO SPORT.V2 RYL	DOSE ADJUSTMENT LEVER DE LUXE GR	LEVIER DE REGLAGE CAFE	Hebel Dosiermenge MA	LEVA X REGOLAZIONE DOSE DE LUXE	
55	9161.077.150	LEVA X REGOLAZIONE DOSE DE LUXE	PLAIN WASHER 3.2X9 DIN 7349 GALV	RONDELLE	Scheibe 3.2 DIN 7349 verz.	ROSETTA PIANA 3.2X9 DIN 7349 ZNP	
56	9161.077.150	ROSETTA PIANA 3.2X9 DIN 7349 Z	GREY COFF.GRINDING/DOSE ADJUST.SC	GRADUATION REGLAGE DOSE CAFE	GREY COFF.GRINDING/DOSE ADJUST.SC	ROSETTA PIANA 3.2X9 DIN 7349 ZNP	
57	U201.001	SCALA REGOL.DOSE E MACIN.CAF.R	MICRO.DOODR RYL UL NVG ASSY			SCALA REGOL.DOSE E MACIN.CAF.RYL	
58	110000832	AS.MICRO SPORT.RYL UL NVG					
59	11000023						







N.POSI COD	I - DESCRIZIONE	UK - DESCRIPTION	F - DESCRIPTION	D - BEZEICHNUNG	E - DESCRIPCION
1	129670202	TCB PANELVIT SCREW 3.5X16 TESTA	VIS TCB 3.5X16 TESTA D=8 ZNP	Blechschraube ST 3.5X16-Z1-C ver	VITE PANELVIT TCB 3.5X16 TESTA D
2	17000719	GREY RATIONMOTOR LID RYL	MILARD POUR MOTOREDUCTEUR	Deckel Getriebegehäuse grau	COP.MOTORID.RYL GRI.
3	NE05.038	MICROSWITCH 30V 0.3A	MICRO INTERRUPTEUR	MIKROSCHALTER	MICROINTERRUTTORE 30V 0.3A
4	11007137	BLACK GEAR Z=77 V/2 FOR RATIONMOTO	ENGRENAGE Z=77 MOTORID.V2 P124 N	Zahnrad Z=77 V2 P124 schwarz	INGR.Z=77 MOTORID.V2 P124 NER.
5	9161.368	MYLAR WASHER FOR RATIONMOTOR	RONDELLE MOTOREDUCTEUR	UNTERLEGSCHLEIBER GETRIEBEMOTOR	RONDELLA MYLAR X MOTORIDUTTORE
6	9121.039	STEEL PIN FOR RATIONMOTOR GEAR MA	STEEL PIN FOR RATIONMOTOR GEAR MA	STEEL PIN FOR RATIONMOTOR GEAR MA	PERNO INGR.MOTORID.MAGIC ACC.
7	11005214	MOTOR FOR RATIONMOTOR ASSY	MOTEUR AVEC CONDENSATEUR	MOTOR GETRIEBE	AS.MOTORE MOTORIDUTTORE
8	11003037	MOTOR FOR RATIONMOTOR ASSY	MOTEUR REDUCTEUR + CONDENSATEUR	GServiceitemotor.V2 Talea, Ode	AS.MOTORE MOTORID.C/COND.
9	9121.044	ANTIVIBRATION FOR MOTOR	AMORTISSEUR MOTEUR	VIBRATIONSDAEMPFER	ANTIVIBRANTE X MOTORE
10	148380200	BAKELIZATE WASHER D=5.5	RONDELLE D=5.5	DISTANZSCHEIBE BAKELIT	RONDELLA D=5.5 IN TELA BAKELIZZA
11	9121.046	BRONZE SINTERED BUSH FOR MOTOR R	JOINT DE MOTEUR	SINTERBUCHSE	BOCC.SINTERIZ.MOTORE MOTORID.BRO
12	146002800	GREY GEAR Z=13/90 FOR RATIONMOTOR	ENGRENAGE Z=13/90 MOTOREDUCTEUR	Zahnrad Z=13/90 grau P124	INGR.Z=13/90 MOTORID.P124 GRI.
13	11026258	GREY RATIONMOTOR CASING WITH TUBE	CARCASSE MOTOREDUCTEUR AVEC CANA	GEHÄUSE GETRIEBE GRAU	AS.CARC.MOTORID.C/CANALINO RYL G
14	263213				



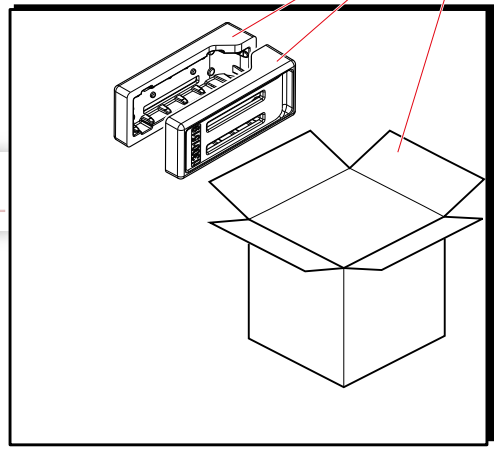
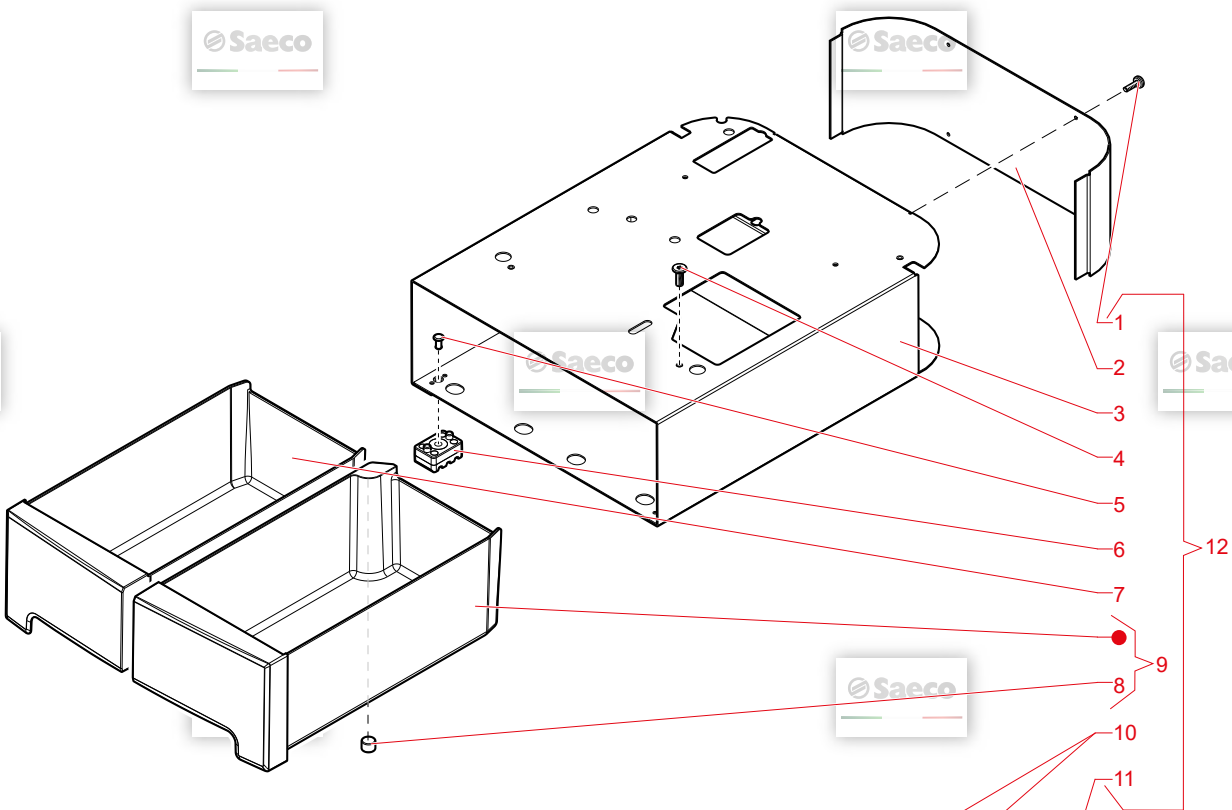
Aulika Office EVO

12/02/2020

08

C0253X00

© by Saeco, a company of EVOCA Group - GAGGIO MONTANO



N.POSI	COD	I - DESCRIZIONE	UK - DESCRIPTION	F - DESCRIPTION	D - BEZEICHNUNG	E - DESCRIPCION	NOTE
1	U109.011	VITE AUT.TCB 3.9X9.5 DIN 7981	screw AUT.TCB 3.9X9.5 DIN 7981 C	VIS TCB3.9X9.5DIN7981C/NIK	Blechschraube 3.9x9.5	VITE AUT.TCB 3.9X9.5 DIN 7981 C	
2	421944001181	PANNEL.POST.BASE RYLO NER.	BLK BASE REAR PANEL RYLO	BLK BASE REAR PANEL RYLO	BLK BASE REAR PANEL RYLO	BLK BASE REAR PANEL RYLO	
3	421946005111	AS.CARC.BASE V2 RYLO ACC.VERN.	BLK STEEL BASE CASING V2 RYLO AS	AS.CARC.BASE V2 RYLO ACC.VERN.NE	AS.CARC.BASE V2 RYLO ACC.VERN.NE	AS.CARC.BASE V2 RYLO ACC.VERN.NE	
4	129914302	VITE TORX M 4X10 TESTA D=8X1,5	SCREW TORX M4X10 TESTA D=8X1,5 G	VIS TORX M 4X10 TESTA D=8X1,5 ZI	VIS TORX M 4X10 TESTA D=8X1,5 ZI	VITE TORX M 4X10 TESTA D=8X1,5 Z	
5	11021769	PERNO FISSAG.PIEDINO RIGIDO MY	BLACK RIGID FOOT FIXING PIN MYB9	PIVOT DE FIXATION PIED	Fixierungsmase Gehäusetuß	PERNO FISSAG.PIEDINO RIGIDO MYB9	
6	11036905	CAS.RIPOSTIGLIO BASE RYLO NER.	BLACK/TRANSPRIGID FOOT MYB9	PIED RIGIDE	Gehäusetuß	PIEDINO RIGIDO MYB9 NER/TRASP.	
7	11036905	CAS.RIPOSTIGLIO BASE RYLO NER.	UNPAINT.BASE REPOSITORY DRAWER R	FLOTTEUR MAGNETIQUE	MAGNET	MAGNETE X GALLEGGIANTE SUPERAUT.	
8	9161.111	MAGNETE X GALLEGGIANTE SUPERAUT	MAGNET FOR FLOAT SUPERAUT.	INSERT DE PROTECTION	STYROPORREINSATZ	INS.SCATOLA BASE RYLO PS-E	230V
9	11036907	AS.CAS.FONDI.BASE RYLO NER.D/V	UNPAINT.BASE DUMP BOX RYLO ASSY.	CARTON D'EMBALLAGE	HAVANA BOX V2 BASE RYLO	HAVANA BOX V2 BASE RYLO	230V
10	13001519	INS.SCATOLA.BASE RYLO PS-E	PS-E INSERT FOR BOX BASE RYLO	BLK-BLK BASE RYLO/O ASSY.V2	BLK-BLK BASE RYLO/O ASSY.V2	AS.BASE RYLO/O NER-NER V2	
11	13001676	SCAT.BASE V2 RYLO AVANA	HAVANA BOX V2 BASE RYLO				
12	11036908	AS.BASE RYLO/O NER-NER V2	BLK-BLK BASE RYLO/O ASSY.V2				



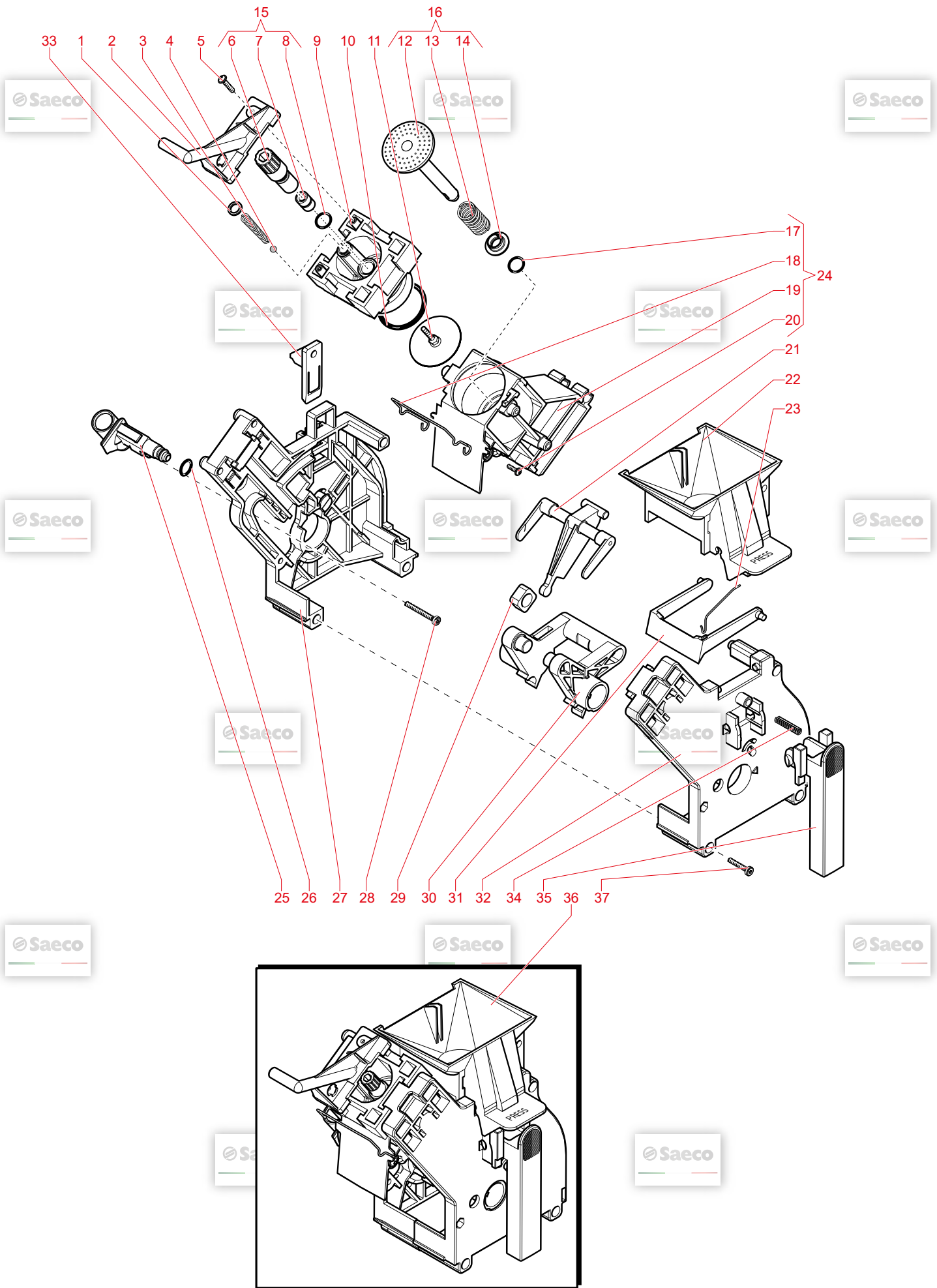
© by Saeco, a company of EVOCA Group - GAGGIO MONTANO

C0253X00

09

12/02/2020

Aulika Office EVO



N.POSI COD	I - DESCRIZIONE	UK - DESCRIPTION	F - DESCRIPTION	D - BEZEICHNUNG	E - DESCRIPCION
1	11021334	GUARN.DE=11 DI=8 SP=1,4 X CONT	BLK COUNTERPISTON SEAL DE=11 DI=	GARNITURE CONTRE PISTON	GUARN.DE=11 DI=8 SP=1,4 X CONTRO
2	11003789	MANICOT.USCITA CAF.GRUP.ROYAL	BLACK COFF OUTLET SLEEVE BREW UN	RACCORD SORTIE CAFE ROYAL	MANICOT.USCITA CAF.GRUP.ROYAL NE
3	9161.222	MOLLA CONICA INOX	SS CONICAL SPRING	RESSORT CONIQUE	MOLLA CONICA INOX
4	421944034451	SFERA D.5 MM IN BORO SILICATO	BOROSILICATE SPHERE D.5 MM	SPHERE D.5 MM	BOROSILICATE SPHERE D.5 MM
5	12002170	VITE TCB 3X16 TORX 10 PLAST.IN	SCREW TCB TORX 10 3X16 PLAST SS	SCREW TCB TORX 10 3X16 PLAST SS	VITE TCB 3X16 TORX 10 PLAST.INOX
6	147472850	PERNO X DOCCIA NERO	PIN BLACK FOR PERCOLATOR		
7	NF11.067	INS.PERNO BLOCCAG.DOCCIA OT.	BRASS INSERT FOR PERCOLATOR LOCK		
8	140324461	OR ORM 0060-20 TERMOIL	OR ORM 0060-20 TERMOIL	JOINT ORM 0060-20	OR ORM 0060-20 TERMOIL
9	11003796	CONTROPIST.GRUP.M5000 NER.	BLACK BREW UNIT COUNTERPISTON M5	CONTREPISTON GROUPE CAFE	CONTROPIST.GRUP.M5000 NER.
10	NM01.044	OR ORM 0320-40 SILICONE PTFE/FDA	OR ORM 0320-40 SILICONE PTFE/FDA	JOINT OR 0320-40 SILICONE	OR ORM 0320-40 SILICONE PTFE/FDA
11	9161.075	AS.DOCCIA DE=35.8 ELFO C/VITE	PERCOLATOR DE=35.8 ELFO ASSY.	GRILLE D 35.8	AS.DOCCIA DE=35.8 ELFO C/VITE E
12	11003077	AS.PIST.INTEGR.GRUP.8GR.NER.	BLK BREW UNIT INTEGRAL PISTON 8G	PISTON GROUPE CAFE P124 8GR	AS.PIST.INTEGR.GRUP.8GR.NER.
13	9161.198	MOLLA PIST.GRUP.8GR.INOX	SS 8GR BREW UNIT PISTON SPRING	RESSORT DU PISTON	MOLLA PIST.GRUP.8GR.INOX
14	9161.191	BOC.PIST.GRUP.8GR.-12GR.BIA.	WHITE 8GR-12GR BREW UNIT PISTON	RONDELLE DE BLOCAGE DU PISTON	BOC.PIST.GRUP.8GR.-12GR.BIA.
15	227470150	AS.PERNO X DOCCIA COMPLETO NER	PIN BLACK ASS FOR PERCOLATOR	AXE DE GRILLE	AS.PERNO X DOCCIA COMPLETO NER
16	11036010	AS.GEN.PISTONE INTEGR.GRUP.CAF	BRW 8GR BREW UNIT NTEGR.PISTON G	PISTON GROUPE CAFE 8GR	AS.GEN.PISTONE INTEGR.GRUP.CAF 8
17	NM02.018	OR ORM 0090-25 TERMOIL	OR ORM 0090-25 TERMOIL	JOINT ORM 0090-25 EPDM	OR ORM 0090-25 TERMOIL
18	11001556	MOLLA RASAT.H=49 GRUP.CAF.SMAR	SS BREW UNIT SPRING H=49 SMART	RESSORT RACLEUR	MOLLA RASAT.H=49 GRUP.CAF.SMART
19	4219444014611	AS.CONT.CAF.C/BOC.SALD.GRUP.V2	BLK COF.CONTAIN.BREW UNIT V2 M500	CHAMBRE GROUPE CAFE NOIR V2 M500	BLK COF.CONTAIN.BREW UNIT V2 M50
20	129912521	VITE TCBR 3.5X14 PLAST.INOX	SCREW TCBR TORX 10 3.5X14 PLAST.	BIELLE NOIRE	VITE TCBR 3.5X14 PLAST.INOX
21	11003078	BIELLA GRUP.8GR.NER.	BLACK CONNECTING ROD BREW UNIT 8	ENTONNOIR NOIR	BIELLA GRUP.8GR.NER.
22	11003795	TRAMOG.GRUP.M5000 NER.SER.PRES	SS SCRAPER SPRING FOR BREW UNIT	RESSORT D'ARRASAGE	TRAMOG.GRUP.M5000 NER.SER.PRESS
23	9161.046	MOLLA RASATORE GRUP.INOX	SS SCRAPER SPRING FOR BREW UNIT		MOLLA RASATORE GRUP.INOX
24	11004570	AS.CONT.CAF.GRUP.8G.P124 NER.	BLACK BREW UNIT COFFEE CONT.P124		AS.CONT.CAF.GRUP.8G.P124 NER.
25	9161.064.050	MANICOT.ENTRATA ACQ.GRUP.ROYAL	BLACK WATER INLET SLEEVE BREW UN	PIPETTE ENTREE D'EAU	MANICOT.ENTRATA ACQ.GRUP.ROYAL N
26	NM02.007	OR 2025 TERMOIL	OR 2025 IN TERMOIL	JOINT 2025 TERMOIL	OR 2025 TERMOIL
27	421941158532	PIAS.POS.V2 GRUP.M5000 NER.	BLACK BREW UNIT REAR PLATE V2 M5	PLAQUE ARRIERE GROUPE CAFE	BLACK BREW UNIT REAR PLATE V2 M5
28	12000550	VITE TCB 3X25 PLAST.INOX	SCREW TCB TORX 10 3X25 PLAST.SS	VIS TCB TORX 3x25 Plast.Ss	SCREW TCB TORX 10 3X25 PLAST.SS
29	9161.094.050	BLOC.FORATO GRUP.PANNER.	BLACK BREW UNIT DRILLED BLOCK	ENTRETOISE NOIRE	BLOC.FORATO GRUP.PANNER.
30	9161.066.050	ALBERO A GOMITO GRUP.M5000 NER	BLACK BREW UNIT ELBOW SHAFT M500	ARBRE DU GROUPE	ALBERO A GOMITO GRUP.M5000 NER.
31	11004161	RASATORE GRUP.M5000 NER.	BLACK SCRAPER FOR BREW UNIT M500	RACLEUR GROUPE	RASATORE GRUP.M5000 NER.
32	11003793	PIAS.ANT.GRUP.M5000 NER.	BLACK BREW UNIT FRONT PLATE M500	PLAQUE ANT. GROUPE M5000 NOIR	PIAS.ANT.GRUP.M5000 NER.
33	11004114	PIAS.AGGANC.GRUP.NER.	BLACK BREW UNIT COUPLING PLATE	PLAQUE FIXATION DU GROUPE	PIAS.AGGANC.GRUP.NER.
34	9161.075	MOLLA IMPUGNAT.GRUP.M5000	SS BREW UNIT HANDGRIP SPRING M50	RESSORT POIGNEE DE GROUPE	MOLLA IMPUGNAT.GRUP.M5000
35	11003791	IMPUGN.GRUP.M5000 NER.	BLACK BREW UNIT HANDGRIP M5000	POIGNEE DU GROUPE	IMPUGN.GRUP.M5000 NER.
36	11003800	GRUPPO CAFE' NERO	BLACK BREW UNIT	GROUPE CAFE	GRUPPO CAFE' NERO
37	12000897	VITE TCB TORX 3.5X20 PLAST.INO	SCREW TCB TORX 10 3.5X20 PLAST.S	VIS TCB TORX 10 3.5x20 Plast.Ss	SCREW TCB TORX 10 3.5X20 PLAST.S



Il Costruttore si riserva il diritto di modificare, senza preavviso, le caratteristiche delle apparecchiature presentate in questa pubblicazione; declina inoltre ogni responsabilità per le eventuali inesattezze imputabili ad errori di stampa e/o trascrizione contenute nella stessa.

Le istruzioni, i disegni, le tabelle e le informazioni in genere contenute nel presente fascicolo sono di natura riservata e non possono essere riprodotte né completamente né parzialmente od essere comunicate a terzi senza l'autorizzazione scritta del Costruttore che ne ha la proprietà esclusiva.

The manufacturer reserves the right to modify, without prior notice, the characteristics of the equipment described in this publication; and further declines to accept any responsibility for any inaccuracies contained in this publication which can be ascribed to printing and/or transcription errors.

All instructions, drawings, tables and information contained in this publication are confidential and can neither be reproduced, completely or in part, nor be transmitted to third parties without the written permit of the Manufacturer, who has the sole ownership.

Le fabricant se réserve le droit de modifier, sans préavis, les caractéristiques des appareils présentes dans cette publication; en outre, elle decline toute responsabilité pour d'éventuelles inexactitudes imputables à des erreurs d'impression et/ou de transcription.

Tous droits de reproduction, complète ou partielle, des instructions, des dessins, des tableaux et de toutes les informations contenues dans cette publication sont réservés. Aucune communication à un tiers ne peut être faite sans une autorisation par écrit du Constructeur qui en a la propriété exclusive.

Der Hersteller behält sich das Recht vor, die Eigenschaften der hier beschriebenen Geräte ohne Voranzeige zu ändern und lehnt gleichzeitig jede Verantwortung für mögliche Unrichtigkeiten ab, die auf Druckfehler oder Abschreibfehler zurückzuführen sind.

Alle Anweisungen, Zeichnungen, Tabellen und Informationen, die im allgemeinen im vorliegenden Band enthalten sind, müssen als vertraulich betrachtet werden und können weder teilweise noch vollständig reproduziert bzw an Dritte ohne die schriftliche Ermächtigung des Herstellers weitergegeben werden, der das Alleineigentum besitzt.

El Constructor se reserva el derecho de modificar, sin previo aviso, las características de los aparatos presentados en esta publicación; además declina toda responsabilidad por los eventuales inexactitudes imputables a errores de imprenta y/o transcripción contenidos en la misma.

Las introducciones, los dibujos, las tablas y las informaciones en general contenidos en este fascículo son de tipo reservado y no se pueden reproducir, completamente o en parte, ni comunicar a terceros si la autorización escrita del Fabricante, el cual tiene la propiedad exclusiva.



