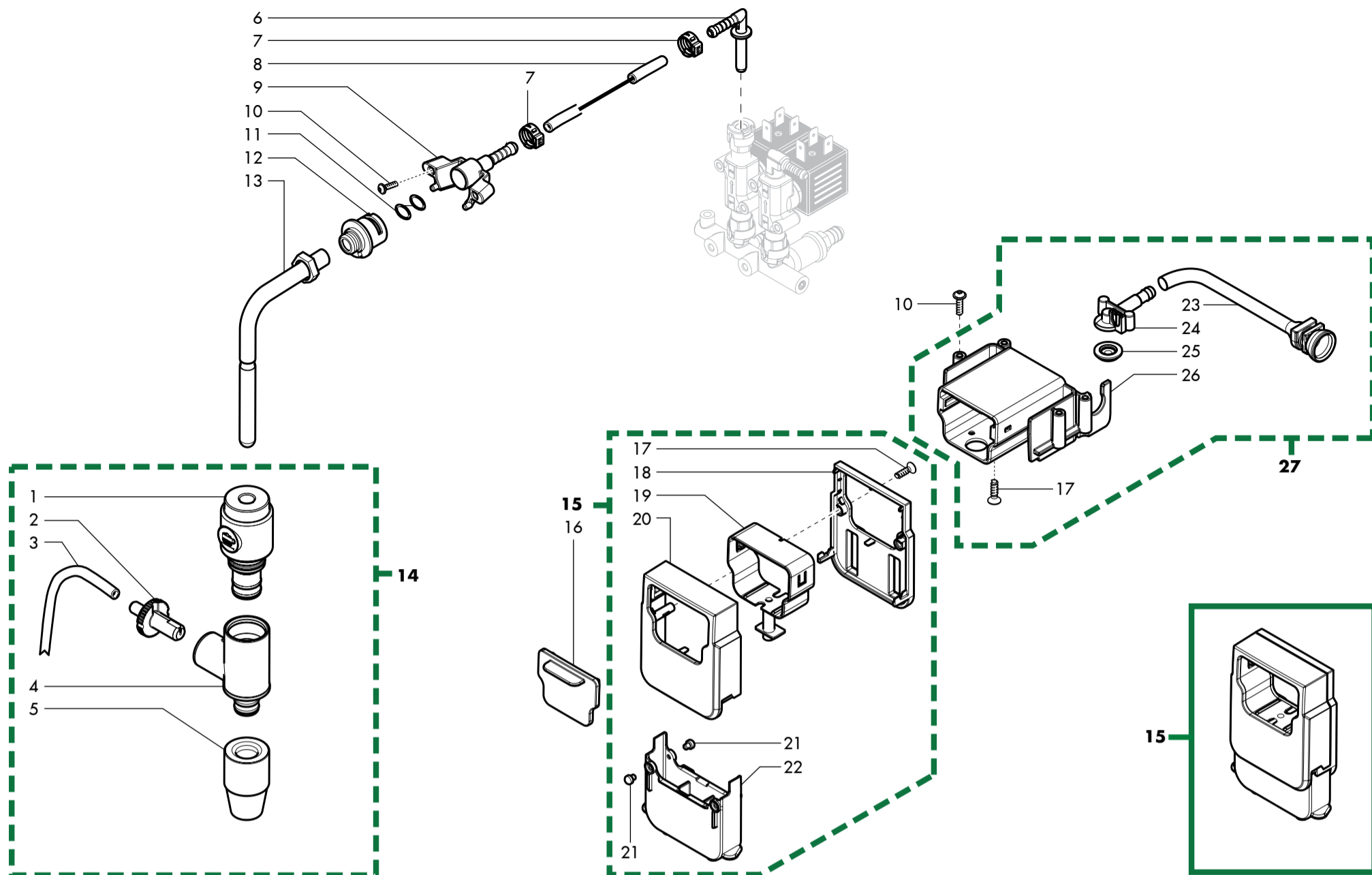


Pos. Code	Description	Note
1	11035722	Extra Sheet Saga For Saeco
1	15003897	Declaration Of Conformity Rylo Sae
1	15004726	Harmonization Extra Sheet Mid
1	421940437581	Manual Sae Sup040Rp Rylo/M It
1	421940437591	Manual Sae Sup040Rp Rylo/M Gb
1	421940437601	Manual Sae Sup040Rp Rylo/M De
1	421940437611	Manual Sae Sup040Rp Rylo/M Fr
1	421940437621	Manual Sae Sup040Rp Rylo/M Es
1	421940437631	Manual Sae Sup040Rp Rylo/M Pt
1	421944013871	Manual Sae Sup040Rp Rylo/M Bra
1	421944015711	Manual Sae Sup040Rp Rylo/M Kor
2	17000736	Red Key For Safety Micro Rylo
3	11001985	Black Power Cable Korea L=1200
3	17800019	Black Power Cable Brazil L=1200
3	183911050	Black Power Cable Schuko L=1200
3	NE01.093	Cable Argentina + Plug En60320 C13
4	0301.961	Sticker For Water Hardness Test
5	17000982	Black Drip Tray Cover Ryl
6	17000721	Ba/Ss Drip Tray Grate Ryl/H
7	17000991	Red Float V2 For Drip Tray Ryl
8	11031091	Txo/Blk Front Casing Cover Ryl/H
9	129535721	"Screw Tsp Torx 10 Ab 3,5X9,5 Sheet Ss"
10	11031092	Txo/Blk Dump Box Ryl Assy.
11	421941300651	Blk Steel Casing Rylo/M Assy.
12	12000450	"Screw Tcb Torx 10 3,5X12 Plast.Zn-N"
13	9991.093	"Magnet D=9,5 X H=1,5"
14	9161.111	Magnet For Float Superaut.
15	11031093	Txo/Blk Drip Tray Ryl Assy.
16	12001622	"Screw Tcb Torx B 3,5X9,5 Scheet Nik"
17	421941301161	Blk Casing Left Closing Insert Rylo/T
18	12000895	Screw Tsp Torx 10 3X10 Plast.Ss
19	421944005511	Blk Casing Bottom Insert Rylo/M
20	11031307	Black Casing Right Closing Insert Ryl
21	11021769	Black Rigid Foot Fixing Pin Myb9
22	11021829	Black/Transp.Rigid Foot Myb9
23	17000240	Grey Mounting Plate Insert Ryl
24	17800442	2Poles Connect.Sensor Reed Dump Box Cst
25	11025819	Black Casing Door Ryl Assy.
26	0301.019	Nik/Brass Pin For Door Superaut.
27	0301.020	Nik/Brass Pin For Door Superaut.
28	0301.041.150	Grey Brew Unit Support Plate Royal
29	9161.140	Seal For Unit Plate
30	12001902	Lock Meroni 337
31	13001518	Ps-E Left Insert For Box Rylo
32	13001517	Ps-E Right Insert For Box Rylo
33	13001327	Havana Box Rylo Sae Aulika
34	13001328	White External Box Rylo Sae

Pos. Code	Description	Note
35	17001988	Steel Casing Door Lock Bracket Rylo

AULIKA MID
TABLE 2/10
E74189.02


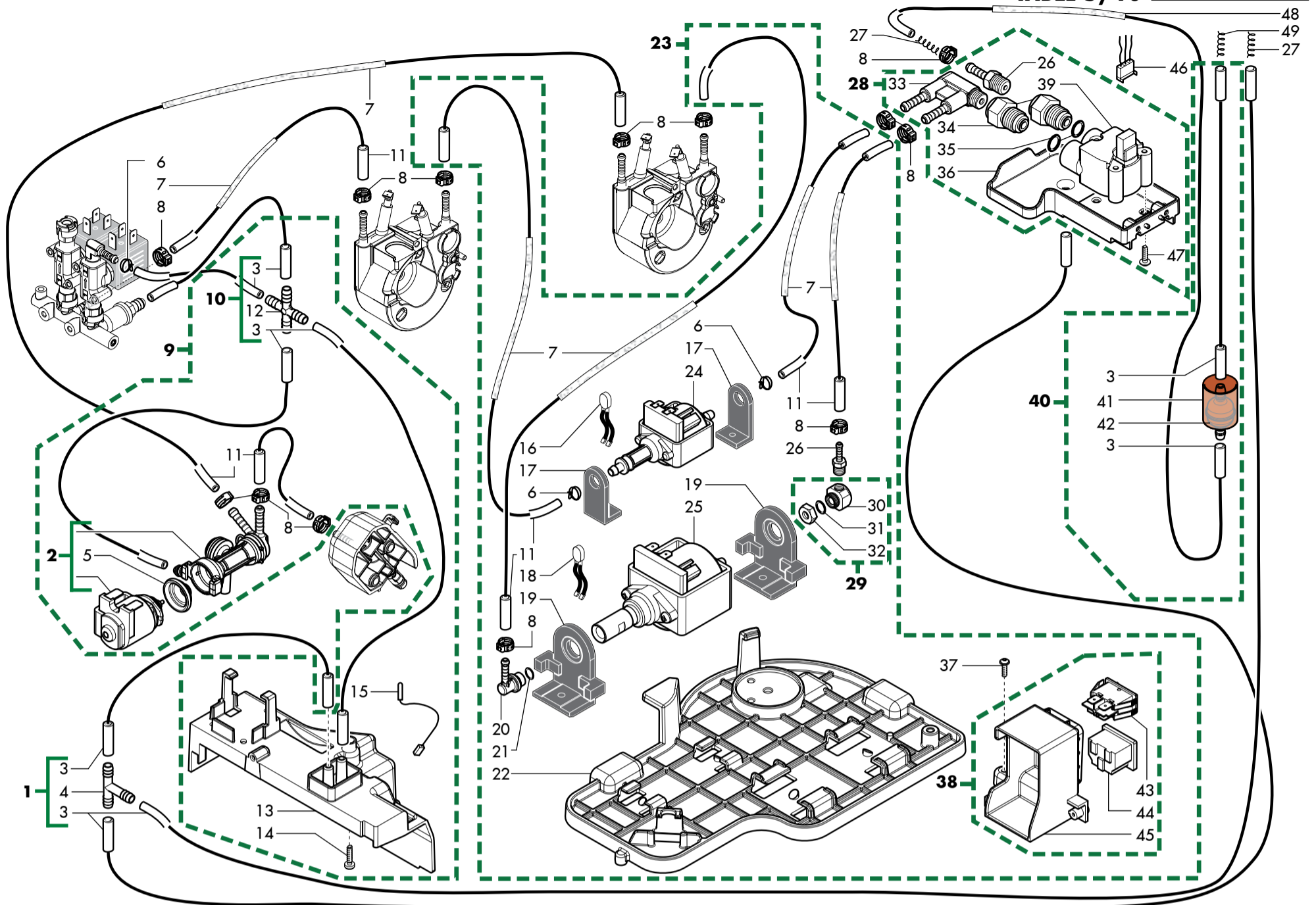
Pos. Code	Description	Note
1	11026707	Black Steam Tube Handgrip S/Scr.Npr/H
2	17001459	"Blk Cap.Milk Tube Connect.D=1,05 Npr/H"
3	229363500	"Silicone Tube 3,5X6 L=400 Mm"
4	20007022	Spares Kit Ss/Blk Capp.Upper Part Npr/H
5	20007021	Spares Kit Ss/Blk Capp.Lower Part Npr/H
6	17002197	Black Cappucin/Steam Tube Connect.V4 Ryl
7	12000892	"Oetiker Clamp D=9,5 16700004"
8	11027788	"Pink 5X8,9 Silicone Tube L=2000Mm"
9	17000724	Black Steam Tube Support Ryl/H
10	12000450	"Screw Tcbr Torx 10 3,5X12 Plast.Zn-N"
11	140324461	Or Orm 0060-20 Termoil
12	11011127	Black Pa6 Bush For Steam Tube P0057
13	11031110	Tf/Chrom.Steam Tube D=6 Ryl/H Assy.
14	11028079	Ss/Black Cappuccinatore Npr/H Assy.
15	11030101	Crc Coffee Dispenser Ryl Assy.
16	11031102	Crc Front Coffee Dispenser Cover Ryl/H
17	12000895	Screw Tsp Torx 10 3X10 Plast.Ss
18	17000248	Black Rear Cover Coffee Dispenser Ryl
19	17000251	Black Inner Body Coffee Dispens.Ryl
20	11030102	Crc Front Cof.Dispenser Cover Ryl
21	11013085	White Coffee Dispenser Slider Myb9
22	17000246	Black Ext.Mobile Part Cof.Dispenser Ryl
23	17000614	Black Dispenser Coff.Inlet Connect.Ryl
24	17000616	Black Coffee Dispenser Tube Ryl
25	17000337	Black Seal For Coffee Dispenser Ryl
26	17000257	Black.Coffee Dispenser Support Ryl
27	11031103	Blk Coffee Dispenser Support Ryl/H Assy.

Pos. Code	Description	Note
-----------	-------------	------

AULIKA MID

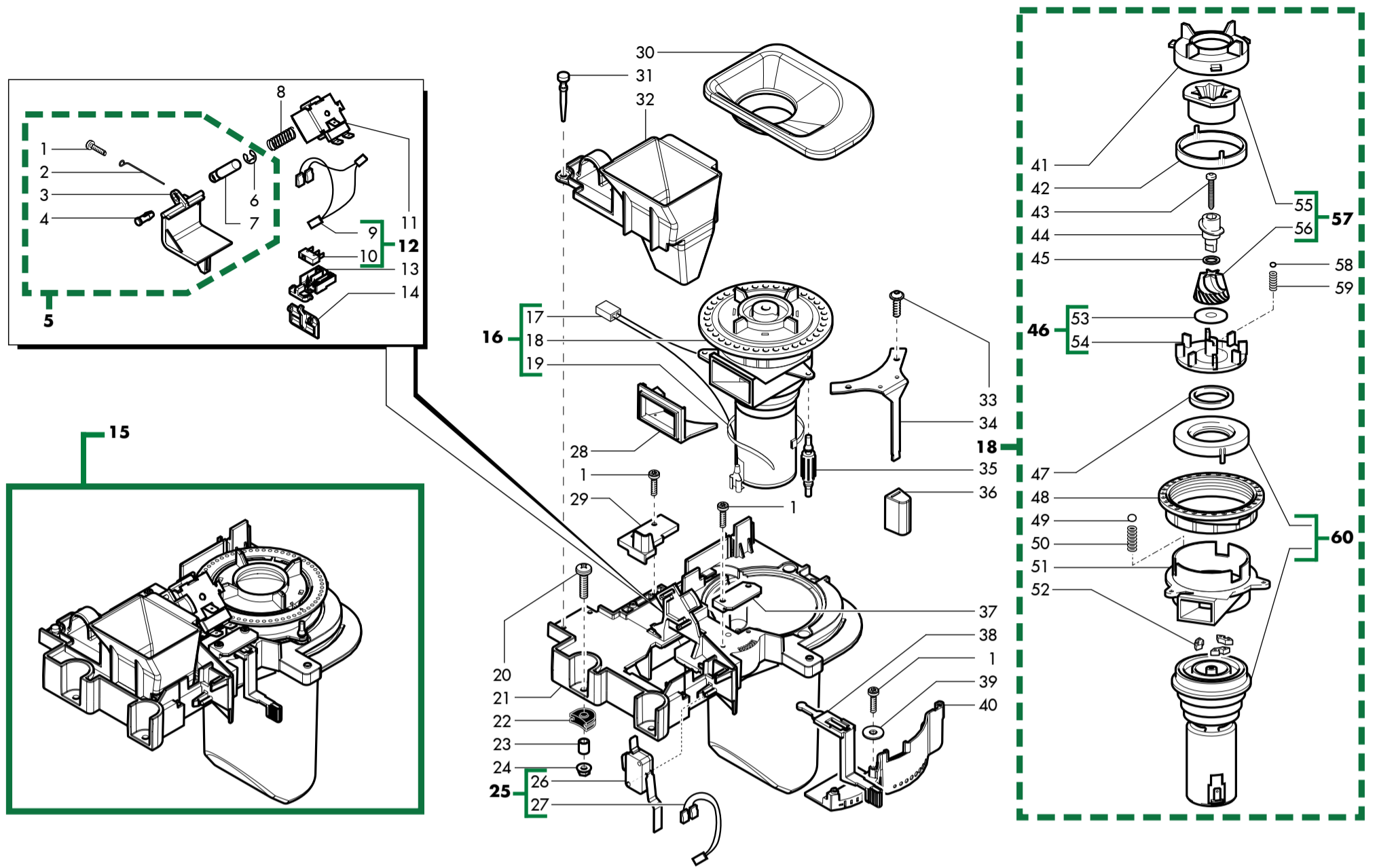
TABLE 5/10

E74189.05



Pos. Code	Description	Note
1	11029674 Water Cont/Turbine Drain Tubes Rylo Assy	
2	11025742 Blowdown Valve V3 Ryl 230V Assy.	230V
2	11028161 Blowdown Valve V3 Ryl 220V-60Hz Assy.	220V
3	11035450 Silicone Tube 5X10 L.2000Mm	
4	147920300 Trans.Connector D=8 Art.80.26.047 Ka.461	
5	11001513 Blowdown Valve Membrane Seal P0049	
6	184320200 "Spring Hose Clamp D=9,5Mm"	
7	11032467 "Silicone Tube 11X12,8 L.2000 Mm"	
8	12000892 "Oetiker Clamp D=9,5 16700004"	
9	11030199 230V/Blk Prot+Blowdown Valve Rylo Assy.	230V
9	11030869 220V/Blk Prot+Blowdown Valve Rylo Assy.	220V
10	11030213 Safety Valve/Ev Drain Tubes Rylo Assy.	
11	11027788 "Pink 5X8,9 Silicone Tube L=2000Mm"	
12	12001812 Transp.Cross Connector D=8 Rylo	
13	17000165 Black Drip Tray Protection Ryl	
14	129913902 Screw Tcb Torx 10 3X12 Plast.Zn-B	
15	17800442 2Poles Connect.Sensor Reed Dump Box Cst	
16	17800203 2Poles Connector Steam Pump Ryl UI	
17	11029554 Black/Sbd Ulka Mf Pump Support	
18	17800202 2Poles Connector Coffee Pump Ryl UI	
19	11022857 Black Pump Support Gmyb	
20	11001054 Blk Pump Outlet 90°Connector P0049/B	
21	140321961 O-Ring 2031 Termoil	
22	17000973 Black Components Support Rylo	
23	11030868 Components Supp.220V Rylo Assy.	220V
23	421944023731 Components Supp.V2 230V Rylo Assy.	230V
24	12001212 Ulka Pump Mf 230V-50Hz	230V
24	12001348 Ulka Pump Mf 220V-50/60Hz	220V
25	12000182 Ulka Pump Ep5/S Gw 220V-60Hz	220V
25	421941305991 Ulka Pump Ep5Fmgw 230V-50Hz	230V
26	11006304 Tea/Brass Connector For Alum.Boiler	
27	0701.081 Spring For Tube Product 1	
28	11025871 Gen.Turbine Rylo Assy.	
29	9079.A37 Rear Conn. Ass. M5 For Ulka Pump	
30	9181.350 "Tea/Brass Rear Connector 1/8" Ulka Pump"	
31	NM03.017 O-Ring R6 Nbr	
32	9071.054 Brass Nut For Ulka Pump Rear Connector	
33	11010243 Tea/Brass 90° Double Connector	
34	9181.406 Tea/Brass Connector Turbine Mf 1/4 1/8	
35	NM01.049 Or Orm 0070-20 Silicone	
36	17000821 Black Turbine Support Rylo	
37	12000450 "Screw Tcb Torx 10 3,5X12 Plast.Zn-N"	
38	421941294291 Iec Connector V2 Ryl Assy.	
39	NV99.033 Digmesa Turbine In Plastic 937-1512/F09	
40	421941301931 Aspiration Tubes Rylo/M Assy.	
41	147756562 Blk Protection For Folk Spring Tube D=4	
42	12001595 Transp/White Aspiration Filter Mds	

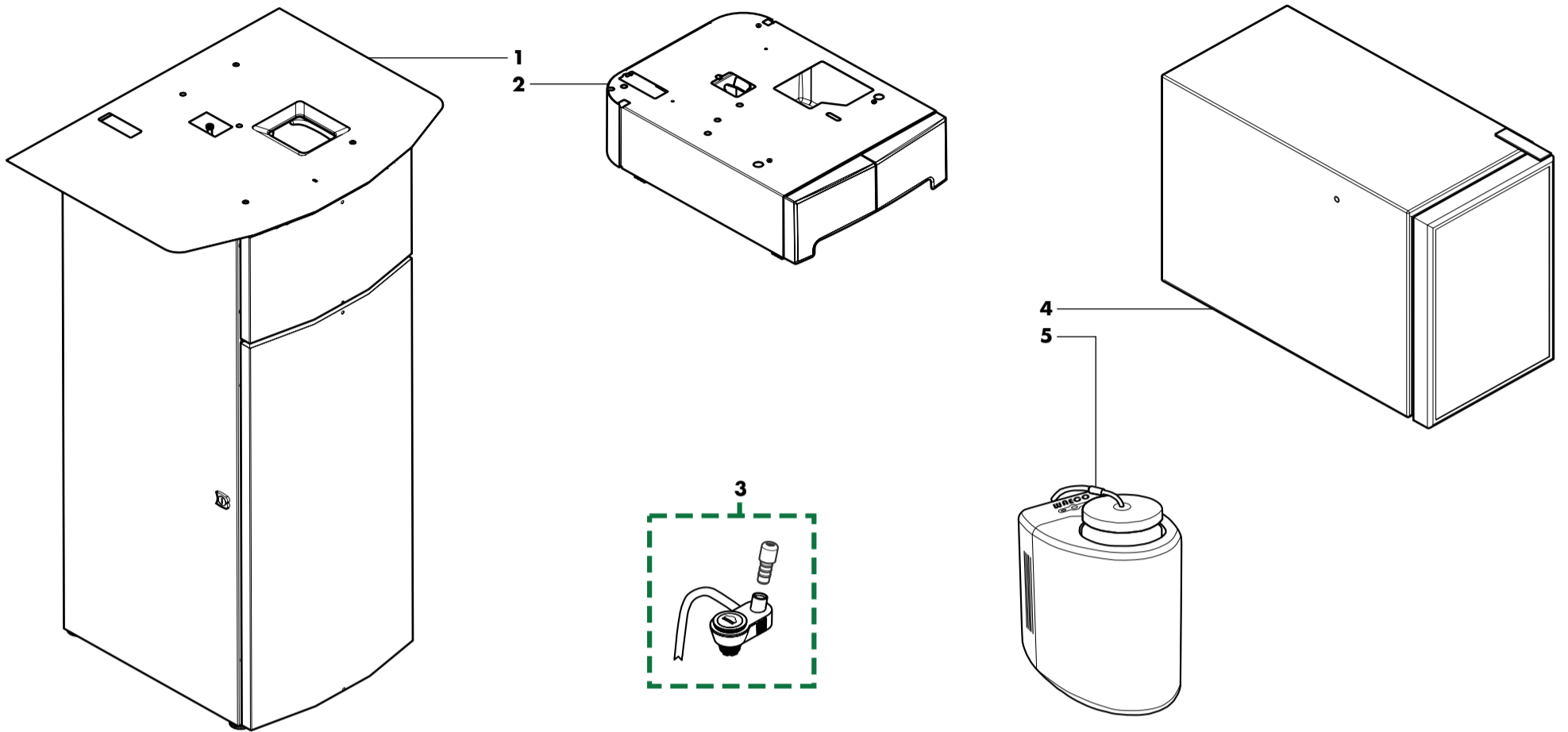
Pos. Code	Description	Note
43	NE03.038 Bipolar Switch Fusit C1250Ar	
44	12001883 Cup Socket V3 En 60320 C 13	
45	17000162 Black Socket-Switch Support Ryl	
46	421946001561 6P.Conn.Flowmeter V2 Rylo UI Assy.	
47	129912104 Screw Tcbr Torx 20 4X10 Plast.Zn-N	
48	421941305531 Silicone Tube 12X14 70Sh L=200 Mm	
49	0701.082 Spring For Tube Product 2	



Pos. Code	Description	Note
1	129913902 Screw Tcb Torx 10 3X12 Plast.Zn-B	
2	9161.048 Steel Ground Cof.Doser Scraper Rod	
3	9161.074.150 Grey Ground Coffe Doser Door	
4	9161.076.150 Grey Ground Cof.Doser Door Pin	
5	9140.017 Grey Ground Cof.Doser Door Assy.	
6	U701.003 Snap Ring 7 Uni 7434	
7	9161.041 Steel Ground Cof.Doser Electromagn.Core	
8	126764818 Spring Electrom.Bean Doser Magic	
9	421946000541 4P.Conn.Coil+Doser Micro V2 Ryl UI Assy.	
10	NE05.017 Microswitch	
11	11025734 Doser Coil For Superautom.24V Dc Assy.	
12	421946000921 Coil Wiring+Doser Micro V2 Ryl UI Assy.	
13	9161.072.150 Grey Micro Supp.Cursor Ground Cof.Doser	
14	9161.073.150 Grey Ground Cof.Dose Control Compensator	
15	11029886 Plate Coffee Grinder Gen.Rylo 230V Assy.	230V
16	11027917 Coffee Grinder Std Calibrated 230V Assy.	230V
17	421946000531 2P.Conn.Grinder Motor V2 Ryl UI Assy.	
18	9140.036.00A Coffee Grinder Std 230V Assy.	230V
19	144320200 Self Lock Strip W=2.6 L=200	
20	U043.004 Zn-B Tcb Torx 20 M4X16 Zn-B	
21	9161.365.150 Grey Plate Coffeegrinder Magic/Royal	
22	9991.005 Rubber For Coffee Grinder	
23	9141.003 Spacer For Rubber	
24	U324.006 Nut M4 Flanged Indented Base	
25	421946000911 Microswitch Door V2 Ryl UI Assy.	
26	12001605 Microswitch	
27	421946000501 2P.Conn.Door Micro V2 Ryl UI Assy.	
28	1505.014 Coffeegrinder Seal	
29	17001155 Grey Cover For Doser Hole Ryl	
30	17000238 Coffee Grinder Soundproofing Cover Ryl	
31	9161.082 Rubber Coupler	
32	17000176 Black Hopper For Powder Coffee Ryl	
33	12000450 "Screw Tcbr Torx 10 3,5X12 Plast.Zn-N"	
34	0333.008 Steel Grinding Adjustment Lever	
35	9991.103 Antivibration For Coffeegrinder	
36	0333.009 Blk Grinding Adjust.Lever Handgrip Royal	
37	9161.097.150 Grey Ground Cof.Doser Lever Fixing Plate	
38	9161.077.150 Dose Adjustment Lever De Luxe Grey	
39	U201.001 "Plain Washer 3,2X9 Din 7349 Galv."	
40	17000832 Gry Coff.Grinding/Dose Adjust.Scale Rylo	
41	149186150 Black Upper Grinder Support Magic	
42	142844550 Upper Grinder Cover Coffee Grind. Magic	
43	129931002 "Torx Screw T10 Tcb 3,5X40 Sx Zng"	
44	147470763 Blk Increase Screw Pin Cof.Grinder Magic	
45	U201.002 "Plain Washer 10X16X0,2Din 988 Gal"	
46	149188750 Conical Grind. Supp. + Ring Magic	
47	140360200 Felt Ring 40X34X5	

Pos. Code	Description	Note
48	146570950 Ring Nut For Grinding Adjustment Magic	
49	128610421 "Stail.Stell Aisi 304 Sphere D=3,2Mm"	
50	126770117 "New Spring Sphere D=3,2 Motor Magig"	
51	9141.080 Black Coffee Grinder Motor Support	
52	140230400 Shock Abs .Conical Grinder Supp.Magic	
53	9141.042 Safety Ring	
54	9141.028 Black Lower Grinder Support Magic	
55	9141.039 Upper Grinder	
56	9141.040 Conical Grinder	
57	226477700 Kit Ital Mill Grinders	
58	128610521 "Stail.Stell Aisi 304 Sphere D=5,5Mm"	
59	126765517 "Steel Spring Sphere D=5,5 Motor Magic"	
60	0301.R10.00A Spare Motor Unit Mc 230V	230V

ACCESSORIES



Pos. Code	Description	Note
1	10005004 Ve Cabinet Aulika-Royal-Ambra Blk-Sil	
2	21002181 Ocs Kit Extra Capacity Aulika Blk	
3	20007320 Kit 2 Cappuccinatore Thunder Smr/H	
4	21001800 Acc Pr Frigo Astra 220/230 50/60 Sch Blk	
5	21001820 Acc Pr Mantenitore 100/240V 50-60Hz Blk	

Pos. Code	Description	Note