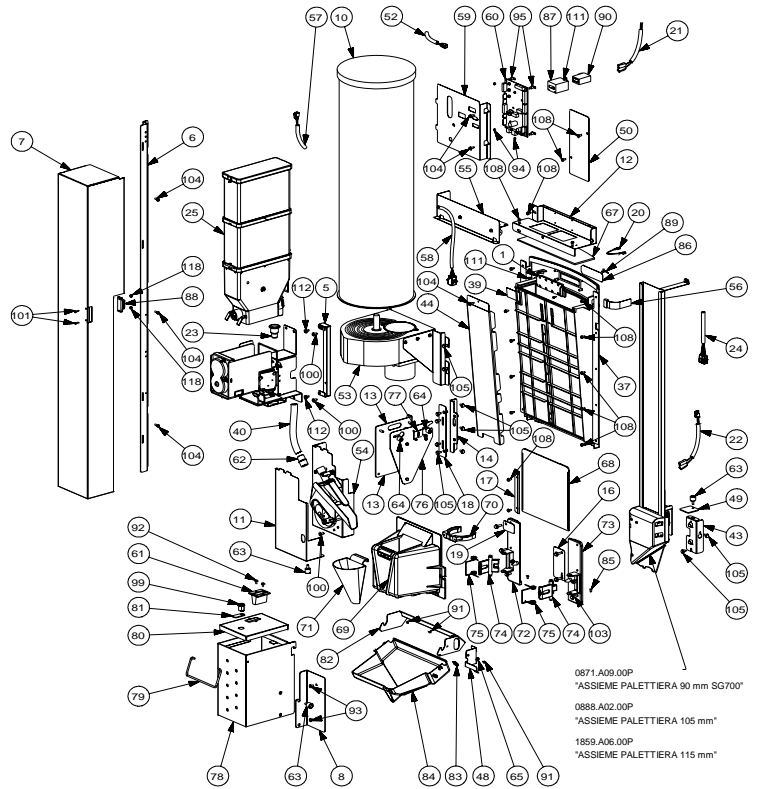
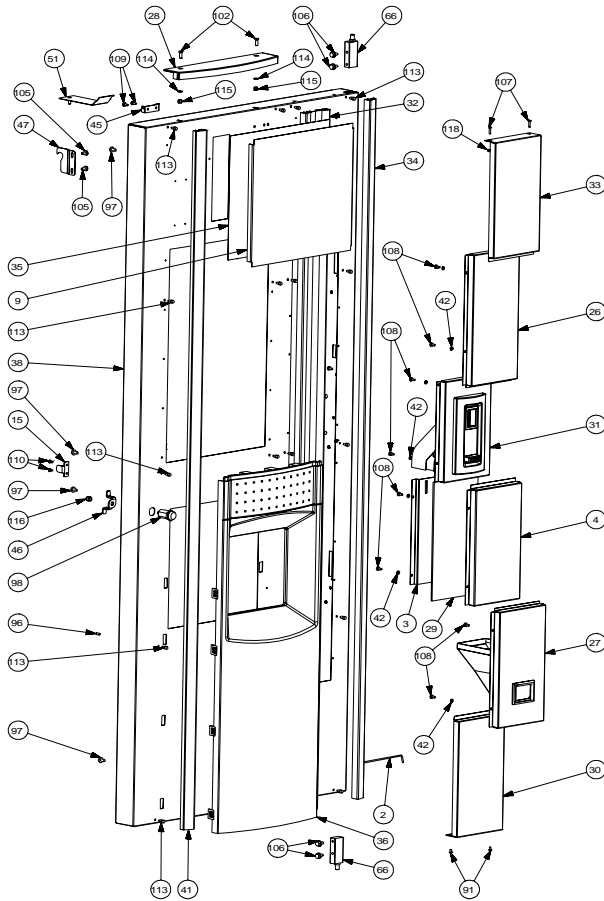


0871.A09.00P
ASSIEME PALETTIERA 90 mm SG700
0888.A02.00P
ASSIEME PALETTIERA 105 mm
1859.A06.00P
ASSIEME PALETTIERA 115 mm

Rif.	Codice	Denominazione	Versioni
1	0862.603	Display	
2	0870.130	Door Retainer Rod	
3	0871.078	Transparent Tile Protection	
4	0871.079	Transparent Tile	
5	0871.083	Sugar Support Fixing Plate	
6	0871.084	Cross Beamfor Payment Cover	
7	0871.085	Cover For Payment Systems	
8	0871.101	Coin Case Fixing Bracket	
9	0871.109	Transparent Pvc Plate Saeco	
10	0871.162	Cup Holder Carousel H=730 Mm	
11	0871.225	Sugar Slide Lid New	
12	0894.086	Display Lamp Support	
13	0894.093	Coin Box Support	
14	0894.094	Coin Box Support Plate	
15	0894.145	Bracket Door Micro	
16	0894.153	Faucet Fixing Plate Vain	
17	0894.170	Door Guide Vain	
18	0894.173	Ass.Plate Coin Box Regulation	
19	0894.180	Faucet Fixing Plate Vain Sx	
20	0894.617	Connection Earth	
21	0894.628	Harness Counter	
22	0894.630	Stirrer Harness	
23	11001575	Sugar Duct	
24	11001617	Harness Door 24v	
25	11001645	Assembly Single Container	
26	11001734	Blind Tile Beige Met.	
27	11001736	Coin Recovery Tile Assembly Beige Met.	
28	11001782	Upper Frame Data Plate Red	
29	11001783	Transparent Module Plate	
30	11001784	Lower Tile Beige Met.	
31	11001791	Fitted Coin Introduction Tile Ass	
32	11001867	Central Strip 73x1660 Red	
33	11001868	Upper S/Screen Tile	
34	11001928	External Strip 26x1660 Beige Met.	
35	11001929	Advertising Plate Sg 700 Rev. 2006	
36	11001931	Dispensing.Comp.Frame W/O Holesg700 Red	
37	11001932	Push Button Panel Support Sg700 Rev.2006	
38	11001951	Welded Door Assembly Sg700 Rev.2006	
39	11001952	Push Button Sg700 Rev. 2006	
40	11001975	Tube Pvc 14x18 L.173 Mm	
41	11002363	External Strip 26x1660 Red	
42	128310404	Washer Uni 8842 A4 Burnished	
43	1812.040	Stirrer Dispenser Support	
44	1812.041	Push Button Reinforcement	
45	1812.043	Bracket Stop Basket	
46	1812.046	Lever For Lock	
47	1812.047	Hook For Door Latch	

Rif.	Codice	Denominazione	Versioni
48	1812.049	Lever For Oscillat. Tray	
49	1812.056	Plate Fixing Stirrer	
50	1812.071	Lamp Cover	
51	1812.072	Basket Stop Plate	
52	1812.605	Door Harness 230v	
53	1812.A03.00P	Cup Distr. Ass.	
53	1859.A04.00P	Cup Distr. Ass.	
54	1812.A11.00P	Sugar Slide Ass.	
55	1812.A12.00A	Sugar Slide Ass.	
56	1873.602	Display Harness	
57	1873.604	Harness	
58	1873.605	Harness	
59	1874.001	Cpu Card Cover	
60	1874.601	Cpu Card I/O	
61	1111.174.050	Coin Hopper	
62	9111.329	Sugar Duct Connector	
63	9111.330	Knurled Male Hand Bolt M5	
64	9111.331	Knurled Female Hand Bolt M5	
65	9111.334	Rotation Bush	
66	9111.359	Block For Hinge Ass.	
67	9111.363	Semi Transparent Panel For Lamp	
68	9111.365	Dispensing Compartm. Door	
69	9111.366.050	Dispensing Compartment Black	
70	9111.368.050	Variable Cup Support Black	
71	9111.369.050	Dispensing Compartment. Funnel Black	
72	9111.370.050	Left Support Disp.Comp. Black	
73	9111.371.050	Right Support Disp. Comp. Black	
74	9111.372.050	Disp. Compartm. Locking Lever Blac	
75	9111.373	Spring For Disp. Comp. Retaining	
76	9111.381	Sheet Metal Ass. For Coin Box	
77	9111.384	Coin Box Fixing Bracket	
78	9111.385	Coin Case Ass.	
79	9111.388	Handle For Coin Case	
80	9111.390	Coin Case Lid	
81	9111.391	Lever For Lock	
82	9111.395	Dispensing Comp. Tray Support	
83	9111.397	Spring For Tray /Lever Coin Recove	
84	9111.399.050	Dispensing Comp. Tray Black	
85	9111.411	Rubber Buffer For Compartment	
86	9111.746	Display Glass	
87	9991.140.050	Impulsecounterholder Keisu Gx-06r	
88	9991.182	Magnet For Door Sg700	
89	NE13.022	Copper Rivet D.4 With Tongue 6,3	
90	NE13.025.00P	Impulse Counter Keisu Gx-06r 24v	
91	NF11.015	Expansion Rivet D=2,8x8 Alu.	
92	NF11.027	Expansion Rivet D.4x7,95 Alu.	
93	NF11.046	Rivet 4,8x12	

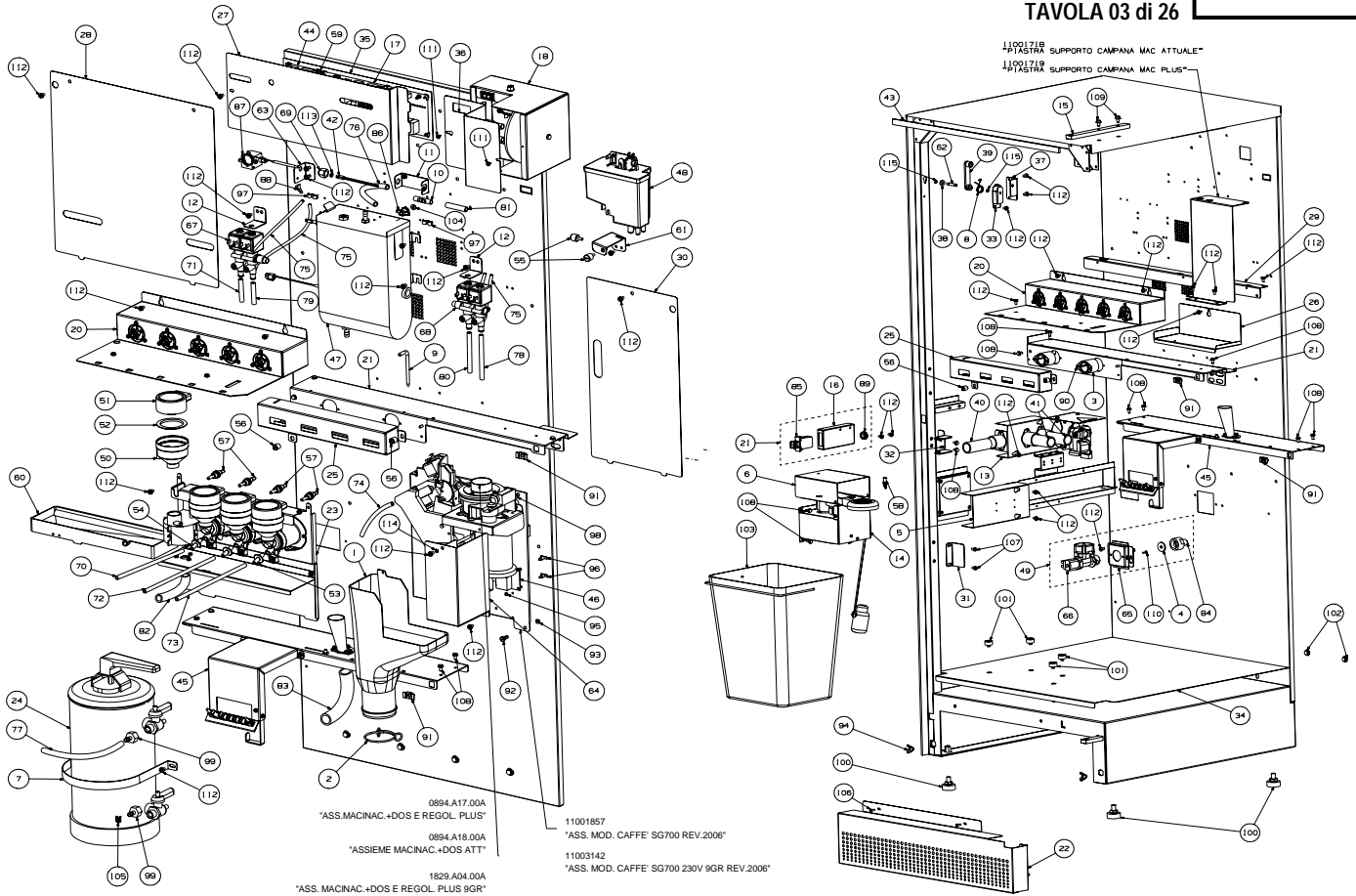
D.73;



Rif.	Codice	Denominazione	Versioni
94	NF11.047	Nut In Plastic	
95	NF11.048	Spacer For Cpu Card	
96	NV01.008	Hood For Dispen.Compartment Spring	
97	NV01.014	Rubber Buffer For Door	
98	NV02.229	Lock Rielda Mod.512 + Key	
99	NV02.094	Token Lock Viro	
100	U043.008	Screw Tcbc M5,0x10 Uni 7687 Galv.	
101	U043.028	Screw Tcbc M3,0x10 Uni 7687 Galv.	
102	U044.011	Screw Tspc M5,0x16 Uni 7688 Galv.	
103	U046.001	Screw Tefz M5,0x16 Uni 6921 Galv.	
104	U046.003	Screw Tcbd Torx 20 M4x12 Zn-B	
105	U046.005	Screw Te M5,0x10 With Washer	
106	U046.006	Screw Te M6,0x10 With Washer	
107	U047.005	Screw Tt M3x14	
108	U109.011	Screw Aut.Tcb 3,9x9,5 Din 7981 C	
109	U110.005	Screw Aut.Tcb 3,9x9,5 Din 7981 F	
110	U111.005	Screw Aut.Tsp 3,9x9,5 Din 7982 C	
111	U116.005	Screw Aut.Pt Tcb 3,0x8 Wn 1441	
112	U127.011	Screw Tapt.Tcb M5,0x8 Din 7500c	
113	U143.021	Screw Special 4,8x9,5 Self Tap.	
114	U207.001	Plain Washer 5,3x10 Uni 6592 Gal	
115	U310.003	Nut Self Lock.M5 Uni 7473	
116	U310.004	Nut Self Lock.M6 Uni 7473	
117	U324.003	Nut M5 Flanged Indented Base	
118	U324.005	Nut M3 Flanged Indented Base	

Rif.	Codice	Denominazione	Versioni
------	--------	---------------	----------

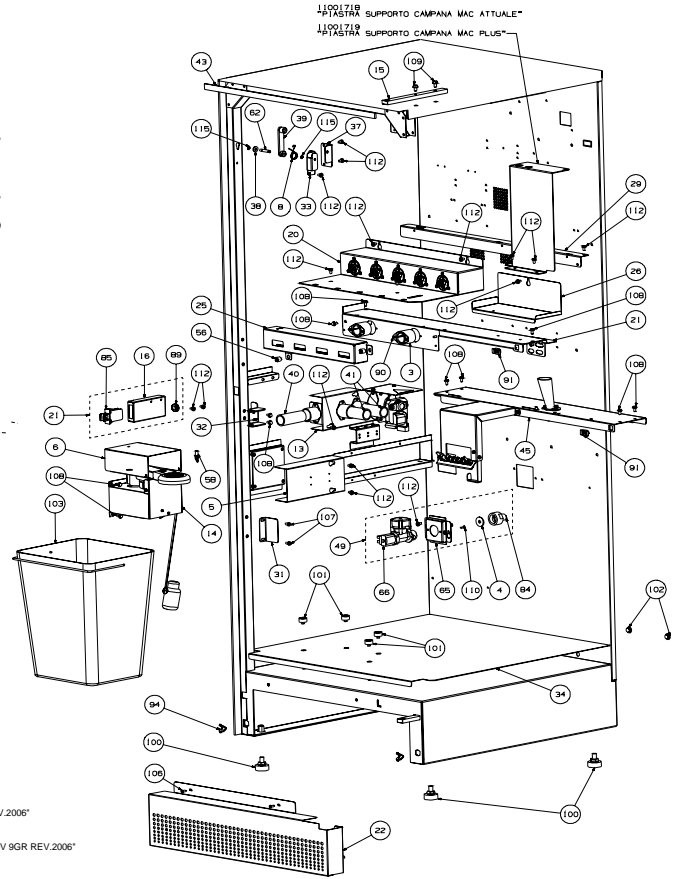
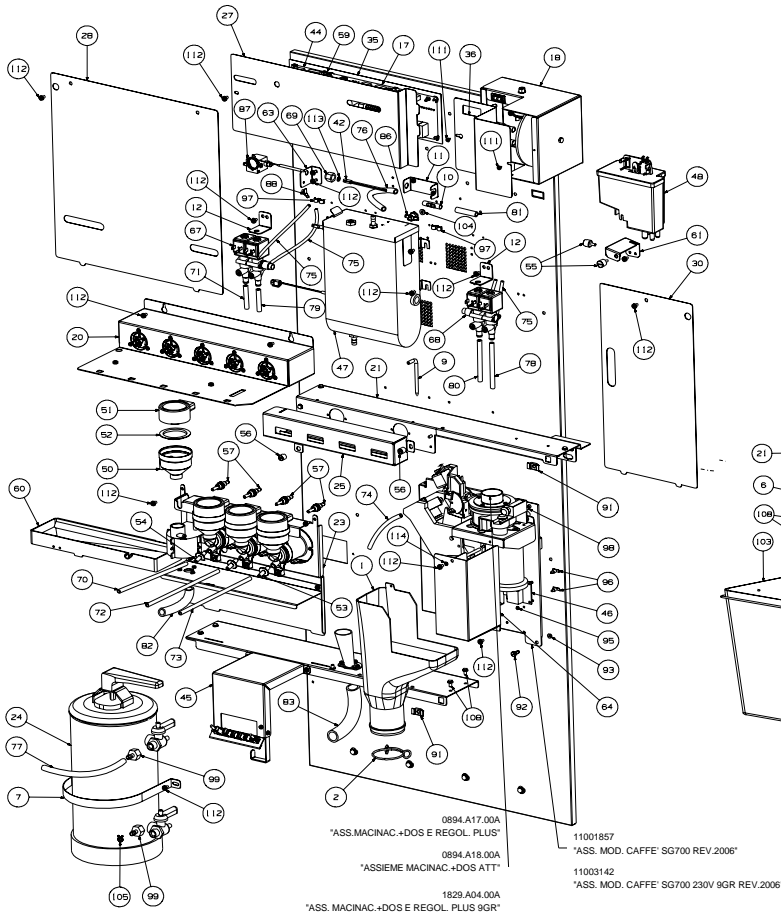
TAVOLA 03 di 26



Rif.	Codice	Denominazione	Versioni
1	0862.111.050	Grounds Duct	
2	0862.112	Grounds Sack Ring 8p	
3	0870.048	Aspiration Bush	
4	0870.058	Seal For Solenoid Valve	
5	0871.025	Aspiration Channel Cover	
6	0871.027	Nozzle Arm Cover	
7	0871.054	Band For Purifier Fixing	
8	0871.122	Spring For Door Latch	
9	0871.123	Brew Unit Plate Rotation Hook	
10	0871.164	Tube For Thermostat	
11	0871.165	Bracket For Thermostat	
12	0871.209	Fixing Plate Elettrovalve Auk Muller	valido fino al 21-12-06
12	11006312	Solenoid Valve Fixing Bracket New	Valido dal 21-12-06
13	0871.A04.00A	Aspirator Ass. Sg 700 230v	
13	0871.A04.00H	Aspirator Ass. Sg 700 240v	240V;
14	0871.A14.00P	Nozzle Arm Support Ass.	
15	0894.023	Plate Upper Hinge	
16	0894.032	Interblock Box	
17	0894.640	Power Card Reg.Sg500/700n 796	
18	0894.A07.00A	Whole Transformer	
19	0894.A11.00P	Ass.Interblock	
20	11001640	Assembly Support Ratiomotor And Box	
21	11001646	Assembly Upper Cross Beam	
22	11001954	Skirting Band Assembly Sg 700 Rev. 2006	
23	11001956	Assembly Mixer Module Sg 700 Rev. 2006	
24	1414.001	Water Softener 8 L	
25	1812.015	Aspiration Channel Unit Ass.	
26	1812.019	Closing Of Surface	
27	1812.020	Card Cover	
28	1812.023	Rear Boiler Cover	
29	1812.024	Upper Cross Beam	
30	1812.025	Air-Break Cover	
31	1812.029	Rotation Bracket	
32	1812.044	Bracket For Lock	
33	1812.048	Bracket Hook For Door Latch	
34	1812.052	Base Cover	
35	1812.060	Card Protection Plate	
36	1812.061	Cover Trasformer	
37	1812.063	Latch Cover	
38	1812.064	Latch Spacer	
39	1812.065	Latch Ass. For Door	
40	1812.068	Oregon Spiral Tube 30,4x25 L=450	
41	1812.069	Oregon Spiral Tube 30,4x25 L=620	
42	1812.070	Rubber	
43	1812.077	Seal Roof	
44	1812.619	Expansion Card Reg.Sg500/700n 796	
45	1812.A05	Ass.Lower Cross Beam	

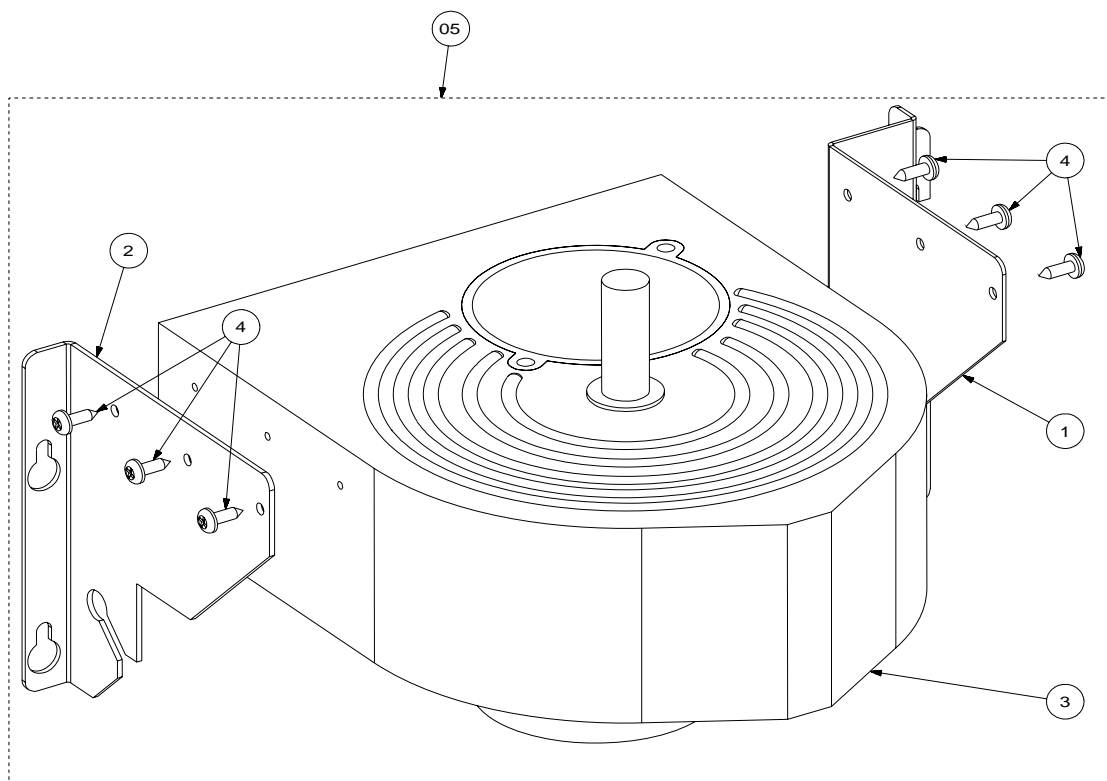
Rif.	Codice	Denominazione	Versioni
46	1825.602	Filter Harness Plus	
47	9010.101.00A	Boiler Ass. Assembled 230v	
48	9110.134	Water Tank Ass. Air-Break Sg700 M.	
49	9110.136.00P	Ass.Electrovalve Inlet Water 24v	
50	9111.009.060	Funnel For Powders Brown	
51	9111.010.060	Lid For Funnel Brown	
52	9111.011.060	Seal For Funnel Brown	
53	9111.232.060	Std Tube Holder Sleeve	
54	9111.233.060	Decaff.Tube Holder Sleeve	
55	9111.330	Knurled Male Hand Bolt M5	
56	9111.331	Knurled Female Hand Bolt M5	
57	9111.335.060	Tubeholder Injector Brown	
58	9111.348	Straight Dispensing Nozzle	
59	9111.402	Spacer For Card	
60	9111.447.050	Mixer Tray	
61	9111.533	Right Support Water Tank	
62	9111.589	Pin Door	
63	9111.598	Support	
64	9111.651	Cover Ass. Fines Tasses	
65	9111.670	Omega Support Electrovalve	
66	9121.057.00P	Safety Electrovalve 24v Dc	
67	9121.181.00P	Block Elettrovalve Dx Boiler Auk Muller	valido fino al 21-12-06
67	11006439	Block Right Electrovalve Boiler	Valido dal 21-12-06
68	9121.182.00P	Block Elettrovalve Sx Boiler Auk Muller	valido fino al 21-12-06
68	11006480	Block Left Electrovalve Boiler	Valido dal 21-12-06
69	9181.135	Nut 1/4 Tube D.8 Profi	
70	9972.037	Silicone Tube Brown 5x8 L.300 Mm	
71	9972.085	Silicone Tube 6x9 L.400 Mm	
72	9972.106	Silicone Tube Brown 5x8 L.260 Mm	
73	9972.109	Silicone Tube Brown 5x8 L.275 Mm	
74	9972.111	Silicone Tube Brown 5x8 L.400 Mm	
75	9972.121	Silicone Tube 3,5x6 L.260 Mm	
76	9972.141	Silicone Tube 7x11 L.160 Mm	
77	9972.142	Silicone Tube 8x12 L. 400 Mm	
78	9972.181	Silicone Tube 6x9 L. 420 Mm	
79	9972.182	Silicone Tube 6x9 L.410 Mm	
80	9972.185	Silicone Tube 6x9 L.440 Mm	
81	9972.226	Silicone Tube 7x11 L.90 Mm	
82	9974.026	Pvc Tube 12x18 L.360 Mm	
83	9974.027	Pvc Tube 20x27 L.360 Mm	
84	9991.175	Conn. For Solenoid Valve Power	
85	NE05.039	Bipolar Microswitch	
86	NE09.029	Unipolar Thermostat Manual Reset	
87	NE09.035	Limiter Ty95h	
88	NE13.022	Copper Rivet D.4 With Tongue 6,3	
89	NE16.002	Grommet D.11x20,5xh.7	
90	NF11.015	Expansion Rivet D=2,8x8 Alu.	

TAVOLA 04 di 26



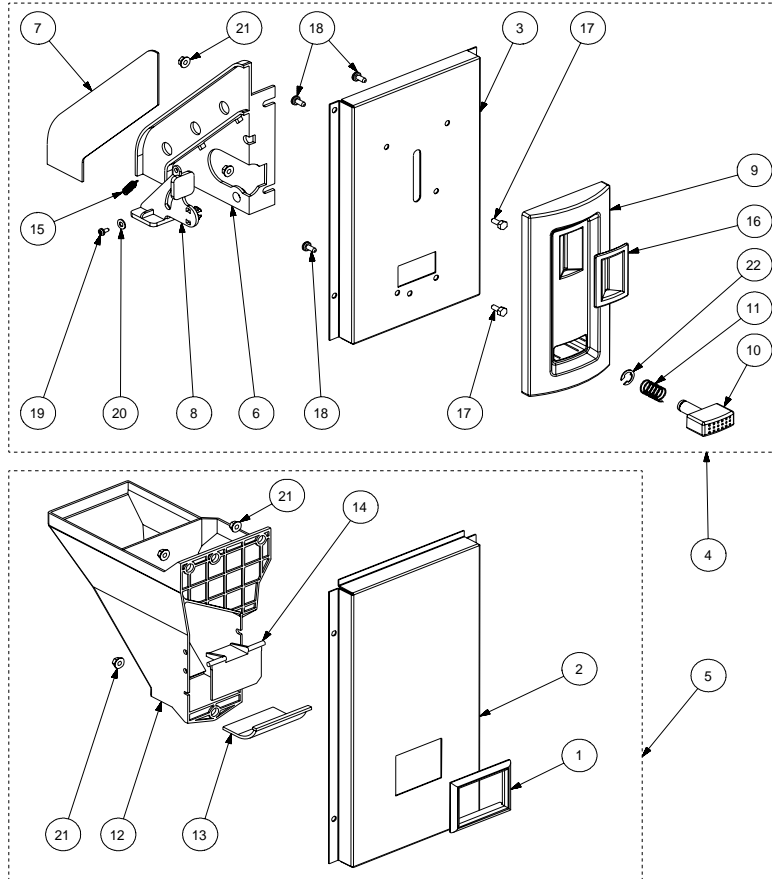
Rif.	Codice	Denominazione	Versioni
91	NF11.017	Receptacle For Rapid Coupling	
92	NF11.018	Pin Rapid Coupling	
93	NF11.019	Rubber Ring For Rapid Coupling	
94	NF11.042	Clip For Skirting Band Pin	
95	NF11.047	Nut In Plastic	
96	NF11.048	Spacer For Cpu Card	
97	NF11.054	Tube Retainer Double"U"Richco	
98	NF11.106	Pin Rapid Coupling	
99	NR07.059	Std Toothed Connector F3/8x09	
100	NV01.002	Foot D.34 H.35 With Nut M10	
101	NV01.010	Expansion Foot	
102	NV03.004	Cap Turaforo D.12	
103	NV04.004	Bucket Sq500/700	
104	NV99.071	Plain Washer 5,5x12 In Copper	
105	NV99.072	Hose Clamp D. 11.6/12.3	
106	U043.001	Screw Tcbc M4,0x10 Uni 7687 Galv.	
107	U043.008	Screw Tcbc M5,0x10 Uni 7687 Galv.	
108	U046.005	Screw Te M5,0x10 With Washer	
109	U046.006	Screw Te M6,0x10 With Washer	
110	U110.003	Screw Aut.Tcb 3,5x9,5 Din 7981 F	
111	U110.013	Screw Aut.Tcb 3,9x6,5 Din 7981 F	
112	U127.011	Screw Tapt.Tcb M5,0x8 Din 7500c	
113	U207.001	Plain Washer 5,3x10 Uni 6592 Gal	
114	U208.001	Toothed Washer 4,3x8 Uni 3703 B	
115	U701.001	Snap Ring 4 Uni 7434	

Rif.	Codice	Denominazione	Versioni
------	--------	---------------	----------



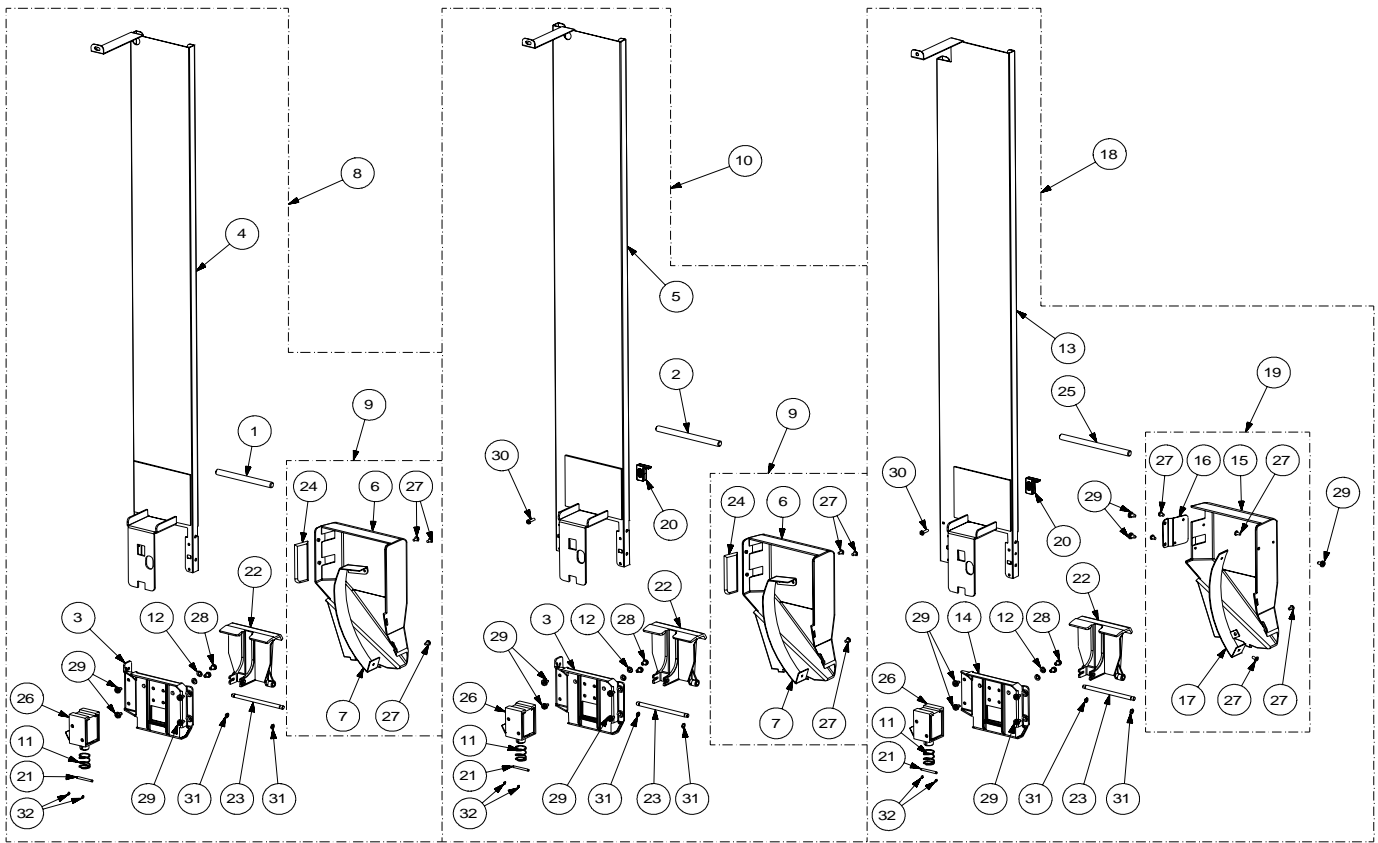
Rif.	Codice	Denominazione	Versioni
1	0894.082	Right Bracket For Cup Distr.	
2	1812.038	Left Bracket For Cup Distr.	
3	9111.398.00P	Cup Distributor Sg 500 24v	
3	9111.509.00P	Cup Distributor Sg 500 24v D.73	D.73;
4	U109.022	Screw Aut.Tcb 4,2x13 Din 7981 C	
5	1812.A03.00P	Cup Distr. Ass.	
5	1859.A04.00P	Cup Distr. Ass.	D.73;

Rif.	Codice	Denominazione	Versioni
------	--------	---------------	----------



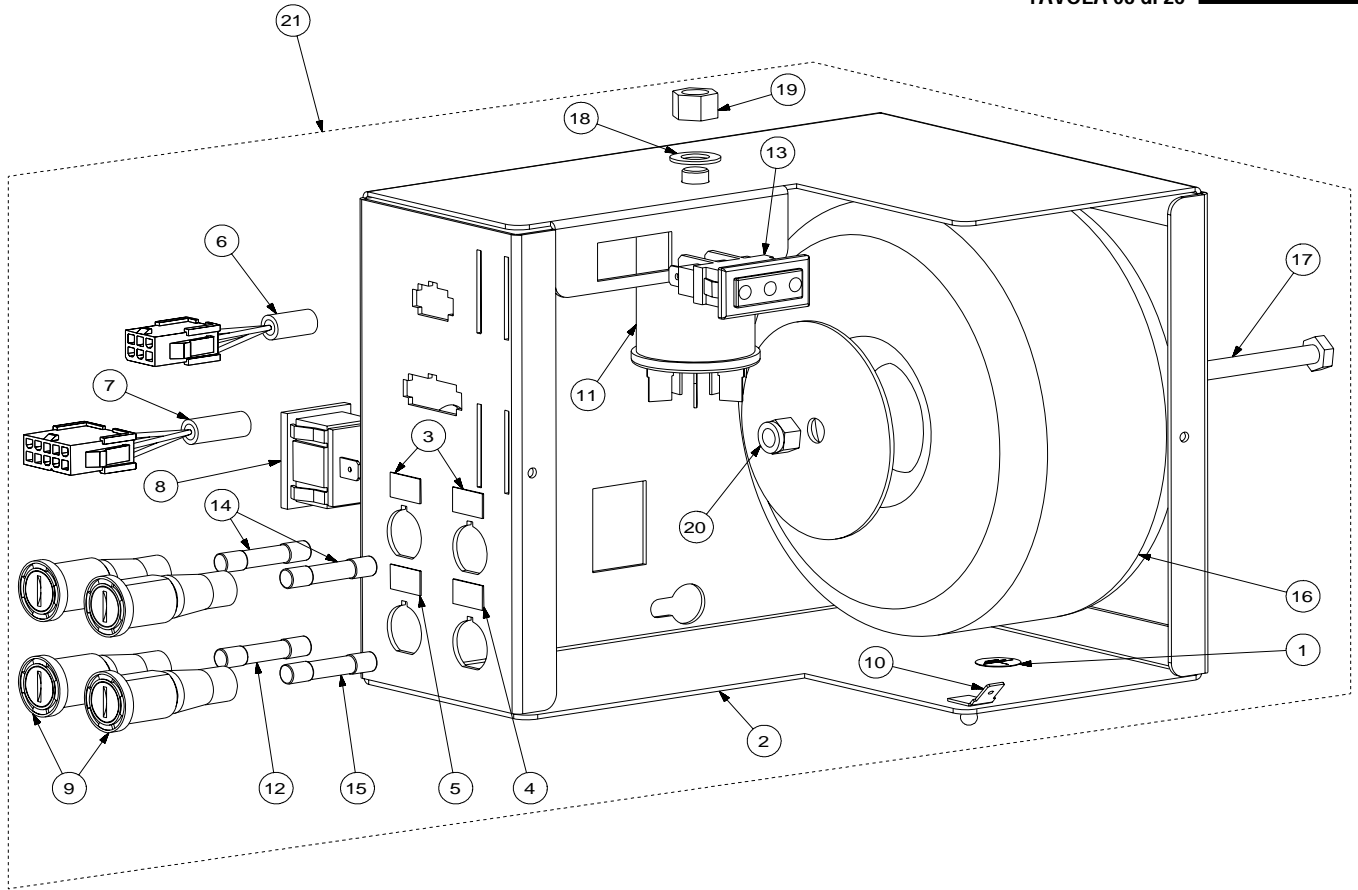
Rif.	Codice	Denominazione	Versioni
1	11001737	Coin Recovery Duct Front Plate Beige	
2	11001738	Tile Ass. Coin Recovery	
3	11001792	Coin Introduction Tile	
4	11001791	Fitted Coin Introduction Tile Ass	
5	11001736	Coin Recovery Tile Assembly Beige Met.	
6	9111.350.050	Coin Channel Black	
7	9111.351.050	Coin Channel Lid Black	
8	9111.352.050	Coin Recovery Lever	
9	11001794	Coin Introduction Front Plate Beige	
10	11001795	Coin Recovery Button Red	
11	9111.355	Spring For Change Button	
12	9111.356.050	Coin Recovery Chute Black	
13	9111.357.050	Coin Chute Bottom Black	
14	11001837	Porthole Conducted Coins	
15	9111.397	Spring For Tray /Lever Coin Recove	
16	11001733	Coin Introduction Front Plate Red	
17	U005.011	Screw Te M4,0x10 Uni 5739 Galv.	
18	U109.011	Screw Aut.Tcb 3,9x9,5 Din 7981 C	
19	129511803	Screw Tcb 2,9x6,4 Din 7981 Nick	
20	U207.002	Plain Washer 4,3x9 Uni 6592 Gal	
21	U324.006	Nut M4 Flanged Indented Base	
22	U701.003	Snap Ring 7 Uni 7434	

Rif.	Codice	Denominazione	Versioni



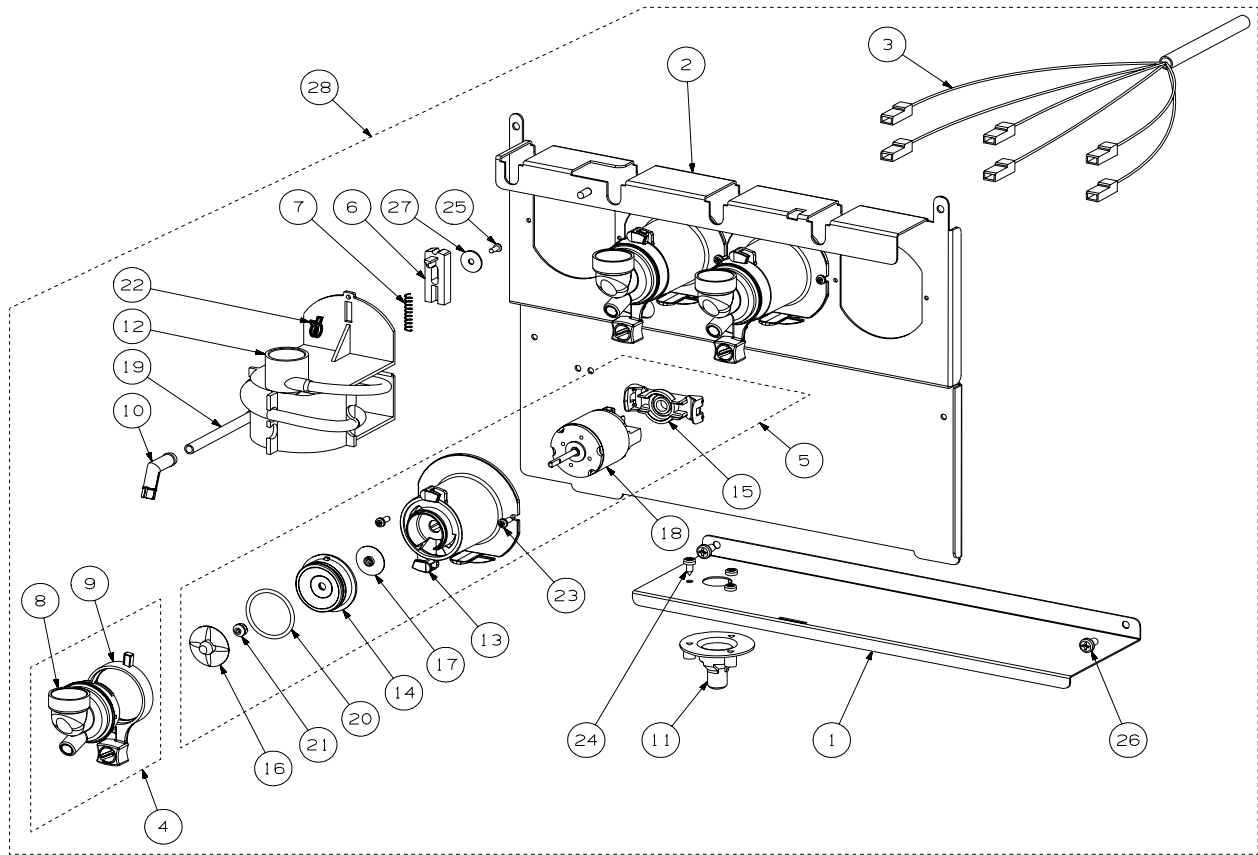
Rif.	Codice	Denominazione	Versioni
1	0701.060	Stirrer Counterweight	90 mm;
2	0801.166	Counterweight For Stirrer	105 mm;
3	0870.139.050	Electromagnet Support Black	90 mm; 105 mm;
4	0871.098	Stirrer Container Ass. 90mm	90 mm;
5	0871.100	Stirrer Container Ass. 105 Mm	105 mm;
6	0871.136.050	Stirrer Slide Black	90 mm; 105 mm;
7	0871.160	Deflector For Stirrer Slide	90 mm; 105 mm;
8	0871.A09.00P	Stirrer Dispenser Ass. 90mm Sq700	90 mm;
9	0871.A37	Stirrer Dispenser Ass. 105mm Sq700	90 mm; 105 mm;
10	0888.A02.00P	Stirrer Disp. 105mm Sq 700	105 mm;
11	11002210	Spring For Electromagnet	
12	128310404	Washer Uni 8842 A4 Burnished	
13	1859.001	Stirrer Cont. Ass. 105 Mm	115 mm;
14	1859.003	Electromagnet Support	115 mm;
15	1859.004	Stirrer Slide	115 mm;
16	1859.005	Sheet Metal Slide Stirrer 115mm	115 mm;
17	1859.006	Deflector For Stirrer	115 mm;
18	1859.A06.00P	Stirrer Dispenser Ass.	115 mm;
19	1859.A07	Ass.Slide Stirrer 115mm	115 mm;
20	9111.305	Stirrer Sliding Block Left	105 mm; 115 mm;
21	9111.327	Sugar Door Rotation Pin	
22	9111.375.050	Stirrer Expeller Black	Valido fino al 07-03-2008
22	11010332	Stirrer Expeller Black	Valido dal 07-03-2008
23	9111.376	Pin For Stirrer Expeller	
24	9111.575.050	Cap Slide Stirrer	90 mm; 105 mm;
25	9111.745	Stirrer Disp.Counterweight	115 mm;
26	9121.135.00P	Elettromagnete "Rele" Ed 07% 24v Dc	
27	NF11.015	Expansion Rivet D=2,8x8 Alu.	
28	U043.012	Screw Tcb Torx 20 M4x6 Zn-B	
29	U110.005	Screw Aut.Tcb 3,9x9,5 Din 7981 F	
30	U116.003	Screw Aut.Pt Tcb 3,0x12 Wn 1441	105 mm; 115 mm;
31	U701.006	Snap Ring 3,2 Uni 7434	
32	U701.012	Snap Ring 1,5 Uni 7434	

Rif.	Codice	Denominazione	Versioni
------	--------	---------------	----------



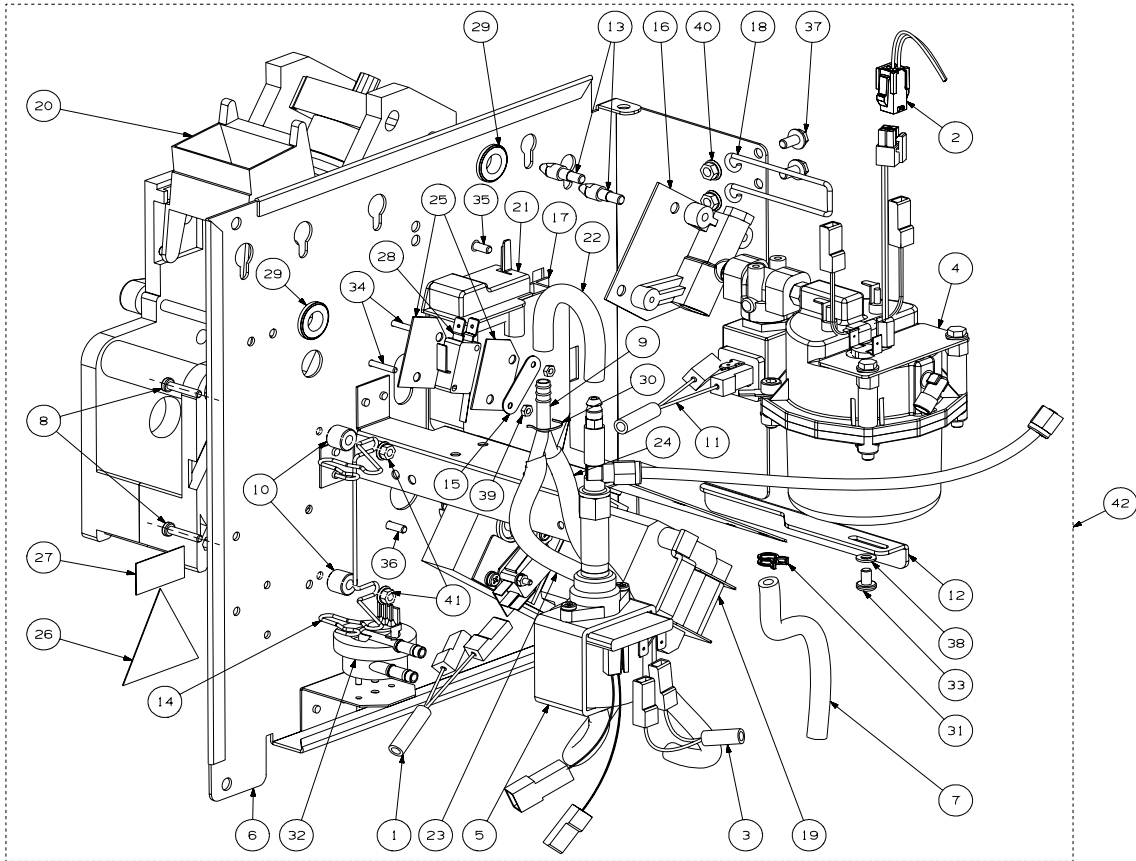
Rif.	Codice	Denominazione	Versioni
1	0301.953	Label Earth Symbol	
2	0894.020	Plate Transformer	
3	0894.176	Data Plate Fuse F 8 A	
4	0894.177	Data Plate Fuse F3,15 A	
5	0894.178	Data Plate Fuse F 4 A	
6	0894.619	Transformer Harness 24v	
7	0894.620	Transformer Harness 230v	
8	NE13.013	Cup Socket En 60320 C 13	
9	NE13.016	Fuse Holder With Screw On Cap	
10	NE13.022	Copper Rivet D.4 With Tongue 6,3	
11	NE13.037	Eichhoff Filter F55.047/209	
12	NE13.043	Fuse 6,3x32 6,3a 250v Delayed	
13	NE13.046	Socket 2 Pole + Earth 08168600w	
14	NE13.082	Fuse F 8a 6.3x32	
15	NE13.083	Fuse F 3a 6.3x32	
16	NE19.016	Toroidal Transformer 230v	
17	U005.013	Screw Te M6,0x70 Uni 5739 Galv.	
18	U208.009	Toothed Washer 8,4x15 Uni 3703	
19	U302.007	Nut Hexagonal M8 Uni 5588	
20	U310.004	Nut Self Lock.M6 Uni 7473	
21	0894.A07.00A	Whole Transformer	

Rif.	Codice	Denominazione	Versioni
------	--------	---------------	----------



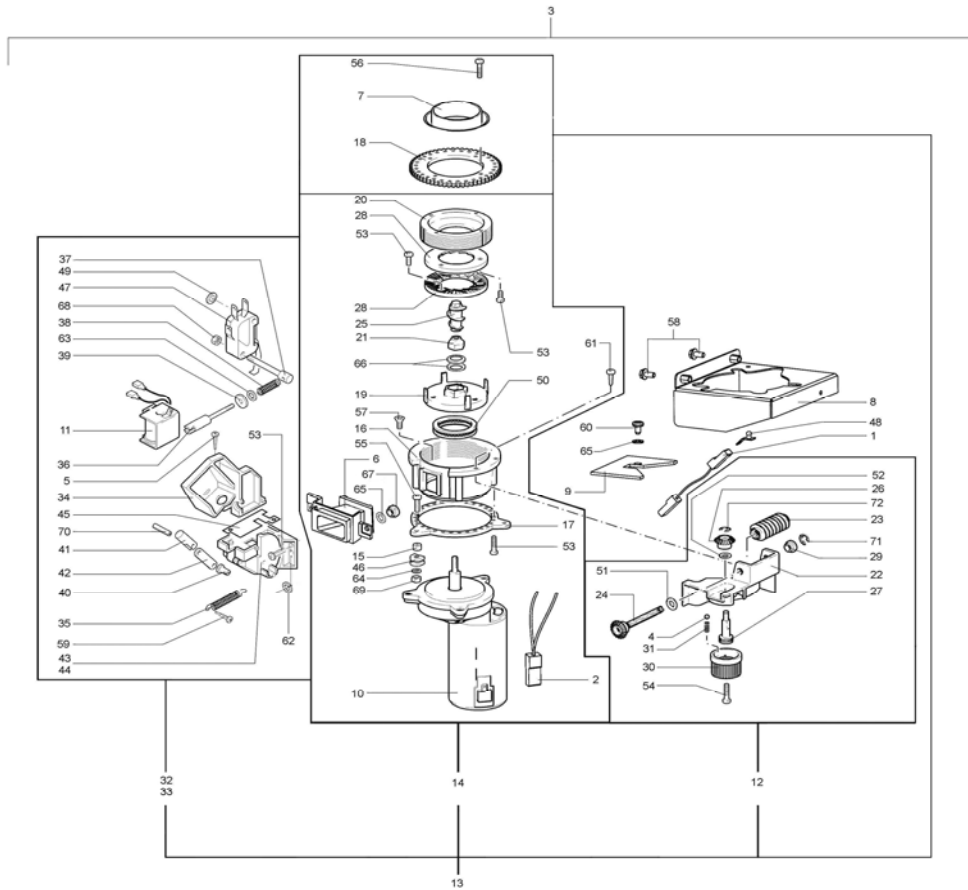
Rif.	Codice	Denominazione	Versioni
1	0871.167	Mixer Tray Support	
2	1812.014	Mixer Support Plate	
3	1812.611	Mixer Harness	
4	9110.027.060	Mix Casing Ass.	
5	9110.160.06P	Ass.Mixer '05 24v Dc	
6	9111.209.060	Cursor For Spiral Mixer Fixing	
7	9111.211	Spring For Mixer Cursor	
8	9111.227.060	Mixer Casing	
9	9111.230.270	Mixer Locking Ring Nut Orange Ral	
10	9111.349	Elbow Dispensing Nozzle	
11	9111.446.050	Funnel For Mixer Tray	
12	9111.643.060	Rapid Fixing Mixer	
13	9111.769.150	Mixer Flange	
14	9111.770.060	Cover Mixer Flange	
15	9111.771.270	Motor Coupling Orange Ral	
16	9111.772.060	Disk Fan	
17	9111.773.060	Motor Protection Ring	
18	9121.248.00P	Mixer Motor '05 24v Dc	
19	9972.281	Silicone Tube Brown 7x11 L.790 Mm	
20	NM03.012	Or Orm 0320-25 Nbr	
21	NM05.015	V-Ring Mixer '05	
22	NV99.072	Hose Clamp D. 11.6/12.3	
23	U109.003	Screw Aut.Tcb 3,5x9,5 Din 7981 C	
24	U109.023	Screw Aut.Tcb 4,2x9,5 Din 7981 C	
25	U116.005	Screw Aut.Pt Tcb 3,0x8 Wn 1441	
26	U127.011	Screw Tapt.Tcb M5,0x8 Din 7500c	
27	U207.004	Plain Washer 4,3x16 Uni 6592 Gal	
28	11001956	Assembly Mixer Module Sg 700 Rev. 2006	

Rif.	Codice	Denominazione	Versioni
------	--------	---------------	----------



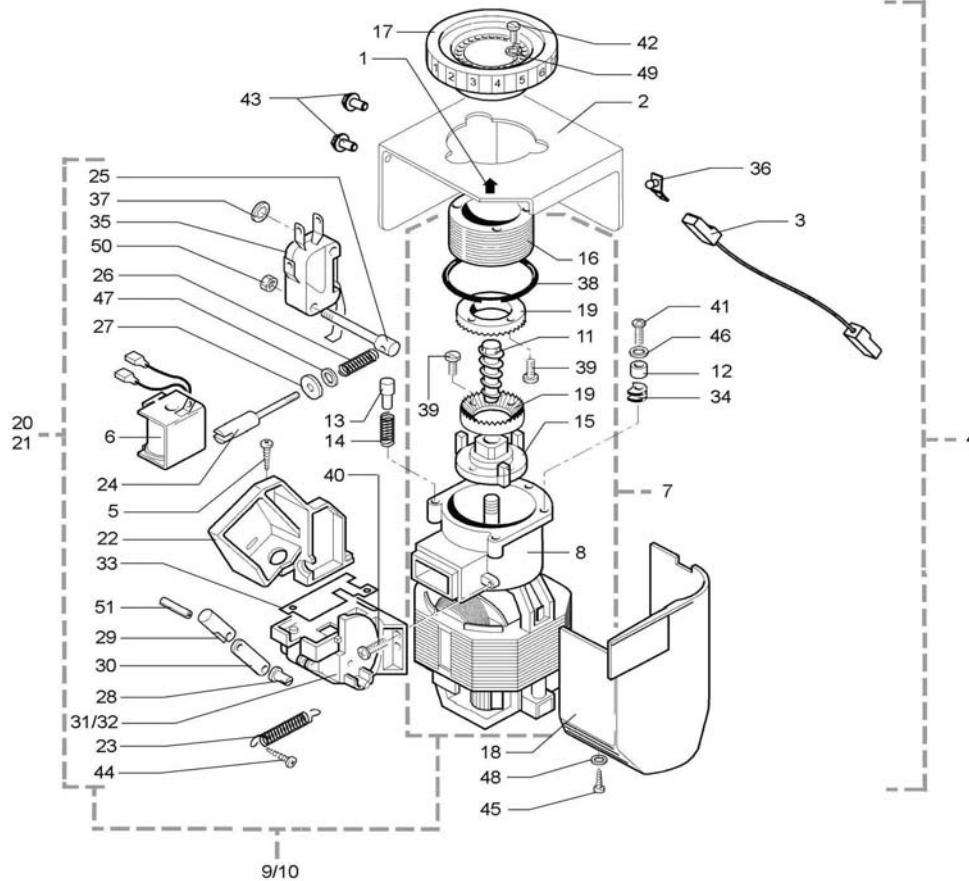
Rif.	Codice	Denominazione	Versioni
1	0894.611	Unit Harness Bt	
2	0894.615	Probe Extension	
3	11000045	Harness	
4	11003978	Ass.Boiler Sg700 Edc 230v	Valido fino al 28-11-2008
4	11010574	Ass.Boiler Sg700 Edc 230v	Valido dal 28-11-2008
5	11000122	Ass.Pump Ulka Ex5 Sd1 With Valve	
6	11000123	Plate	
7	11000126	Silicon Tube 5x10 L=690 60 Shore	
8	129825002	Tcb Screw M4x20 Uni 7687 Znp	
9	147920800	Y Connector D=8 Art.80.26.048 Ka.466	
10	1813.165.050	Spacer	
11	1822.603	Unit Harness 24v	
12	1883.001	Boiler Support Bracket "T"	
13	9011.005	Peg For Boiler	
14	9111.343	Spring For Motor Pump Fixing	
15	9111.407	Micro Plate	
16	9111.473	Insulator For Boiler Support	
17	9111.528.050	Coffee Discharge Channel	
18	9111.555	Spring Support Tube	
19	9120.002.00A	Ratiomotor Ass. Da 3/5p 230v	
20	9160.078.060	Brown Brew Unit Da 10p 7 Grams	
20	9160.079.150	Brew Unit 9 Grams	9Gr;
21	9161.262.060	Drip Channel Cover	
22	9972.125	Silicone Tube 5x10 60sr.L=110 Mm	
23	9972.171	Silicone Tube 5x10 60 Shore L.260m	
24	9972.175	Silicone Tube 5x10 60sr L=280 Mm	
25	9991.014	Card For Micro Switches	
26	9991.087	High Voltage Sticker	
27	9991.183	Temperature Warning Sticker	
28	NE05.060	Microswitch Cherry D413 .V3ld	
29	NE16.002	Grommet D.11x20,5xh.7	
30	NF11.002	Rta Clip Art 5203	
31	NV99.077	Tube-Tightening Clamp D=9,8/10,6	
32	NV99.099	Turbine D=1,2 932-8521/00 Assy.	
33	U043.021	Screw Tcbc M5,0x8 Uni 7687 Galv.	
34	U043.023	Screw Tcbc M3,0x18 Uni 7687 Galv.	
35	U044.013	Screw Tspc M4,0x12 Uni 7688 Galv.	
36	U046.003	Screw Tcbd Torx 20 M4x12 Zn-B	
37	U046.005	Screw Te M5,0x10 With Washer	
38	U207.001	Plain Washer 5,3x10 Uni 6592 Gal	
39	U302.002	Nut Hexagonal M3 Uni 5588	
40	U324.003	Nut M5 Flanged Indented Base	
41	U324.006	Nut M4 Flanged Indented Base	
42	11001857	Coffee Module Assembly Sg 700 Rev.2006	
42	11003142	Coffee Module Ass.Sg700 9 Gr 230v R.2006	9Gr;

Rif.	Codice	Denominazione	Versioni
------	--------	---------------	----------



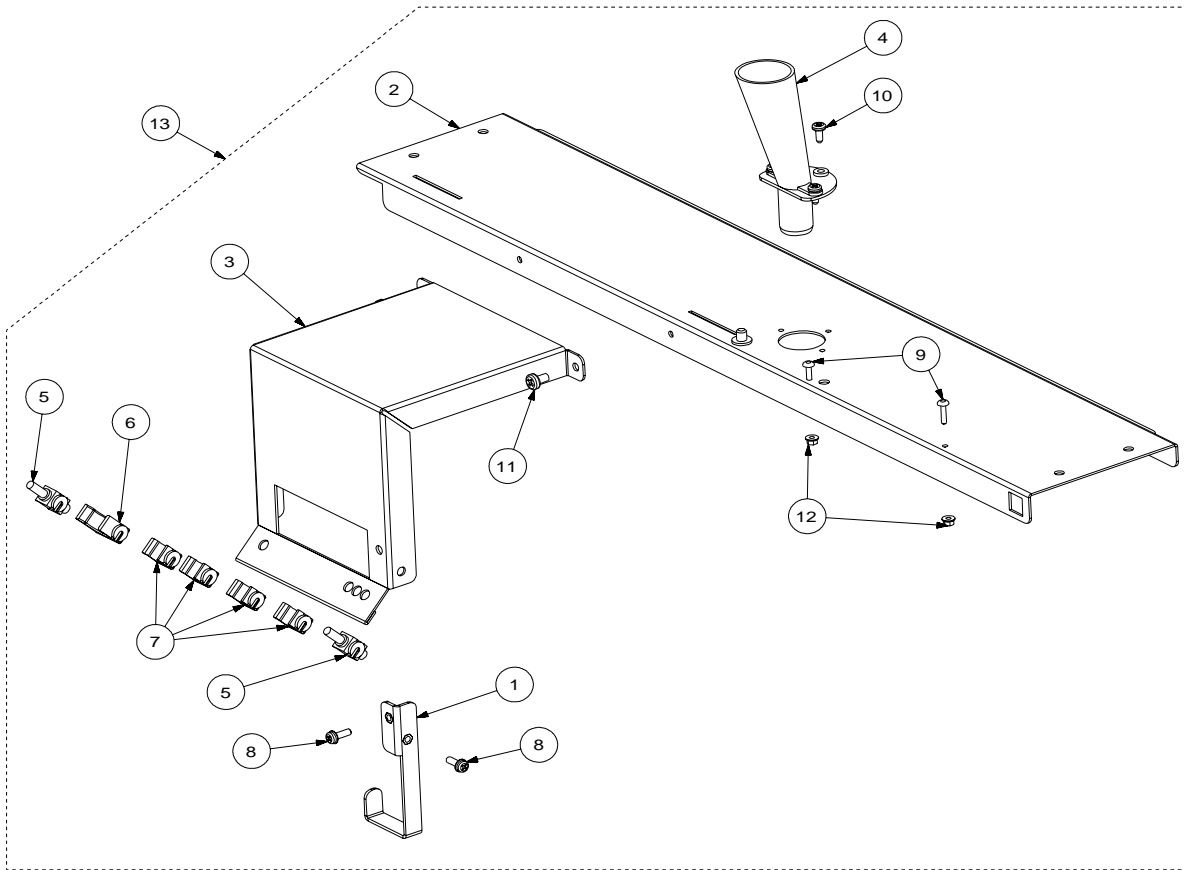
Rif.	Codice	Denominazione	Versioni
1	0894.617	Connection Earth	
2	1825.602	Filter Harness Plus	
3	0894.A17.00A	Wh.Coff.Grind.+Batch.And Regul Plus	
4	128610421	Stail.Stell Aisi 304 Sphere D=3,2mm	
5	129511903	Screw Tcb 2,9x6,4 Din 7981 Bz Nick	
6	9111.483.060	Conduit Grinder Plus	
7	9111.491.050	Funnel Coffee Grinder Plus	
8	9111.493	Ass.Coffee Grinder Support Modular	
9	9111.518	Grinder Winding Cover Plus	
10	9121.093.00A	Ratiomotor Coffee Grind 230-240v	
11	9129.A01.00P	Coffee Doser Coil Ass.24v 50/60hz	
12	9140.020	Modular Grinder Adjust.Ass.	
13	9140.026.00A	Wh.Coff.Grind.+Batch.And Regul Plus	
14	9140.027.00A	Wh. Coffee Grinder Plus 230v	
15	9141.003	Spacer For Rubber	
16	9141.053	Cap	
17	9141.054.050	Black Flange	
18	9141.055.050	Toothed Wheel Z.62 Black	
19	9141.056	Fan	
20	9141.057	Adjustment Ring Nut	
21	9141.058	Lock Nut	
22	9141.062.050	Adjustment Support Black	
23	9141.063.050	Worm Screw Black	
24	9141.064.050	Rod Black	
25	9141.065	Worm Screw	
26	9141.069.050	Conical Gear Z.20 Black	
27	9141.070	Adjustment Pin	
28	9141.072	Grinder D.64	
29	9141.073	Bush For Adjustment	
30	9141.074.050	S/Screened Adjustment Knob	
31	9141.077	Spring For Sphere D.3.2 Modular	
32	9160.001.06P	Coffee Doser Ass.Da 7p 24v	
33	9160.025.06P	Coffee Doser Ass.Da 7p 9 Gr. 24v	
34	9161.001.060	Doser Support Brown	
35	9161.005	Spring For Dispenser Door	
36	9161.006	Pin For Regulation Micro	
37	9161.007	Pin For Fixing Micro	
38	9161.008	Spring For Regulation Pin	
39	9161.009	Space For Regulation Pin	
40	9161.010.060	Pin Brown	
41	9161.011	Piston For Magnet	
42	9161.012.060	Connecting Rod Brown	
43	9161.131.060	Modified Doser Casing Brown	
44	9161.219.150	Doser Casing 9 Gr. Grey Modified	
45	9161.361	Mylar Guard For Microbatcher	
46	9991.005	Rubber For Coffee Grinder	
47	NE05.058	Doser Micro N.V.	

Rif.	Codice	Denominazione	Versioni
48	NE13.022	Copper Rivet D.4 With Tongue 6,3	
49	NF13.001	Ring For Pins D.3	
50	NM07.001	Axial Bearing Ekko Compact	
51	NV99.047	Shimming Washer 7x13x0,5	
52	NV99.048	Shimming Washer 8x14x0,5	
53	U043.001	Screw Tcbc M4,0x10 Uni 7687 Galv.	
54	U043.003	Screw Tcbc M4,0x8 Uni 7687 Galv.	
55	U043.005	Screw Tcbc M4,0x20 Uni 7687 Galv.	
56	U043.017	Screw Tcb Torx 10 M3x12 Zn-B	
57	U044.002	Screw Tspc M4,0x10 Uni 7688 Galv.	
58	U046.005	Screw Te M5,0x10 With Washer	
59	U109.006	Screw Aut.Tcb 2,2x9,5 Din 7981 C	
60	U127.005	Screw Tapt.Tcb M4,0x8 Din 7500c	
61	U143.003	Panelvit Tcb 3,5x16 Testa D.8 Galv	
62	U203.001	Plain Washer 4,3x8 Uni 1749 Gal	
63	U207.003	Plain Washer 3,2x7 Uni 6592 Gal	
64	U207.004	Plain Washer 4,3x16 Uni 6592 Gal	
65	U208.001	Toothed Washer 4,3x8 Uni 3703 B	
66	U221.002	Cup Spring 15x8,2x0,7 Bn 806	
67	U302.003	Nut Hexagonal M4 Uni 5588	
68	U310.001	Nut Self Lock.M3 Uni 7473	
69	U310.002	Nut Self Lock.M4 Uni 7473 Znc White	
70	U406.001	Elastic Pin 3,0x8 Uni 6873	
71	U701.001	Snap Ring 4 Uni 7434	
72	U701.006	Snap Ring 3,2 Uni 7434	



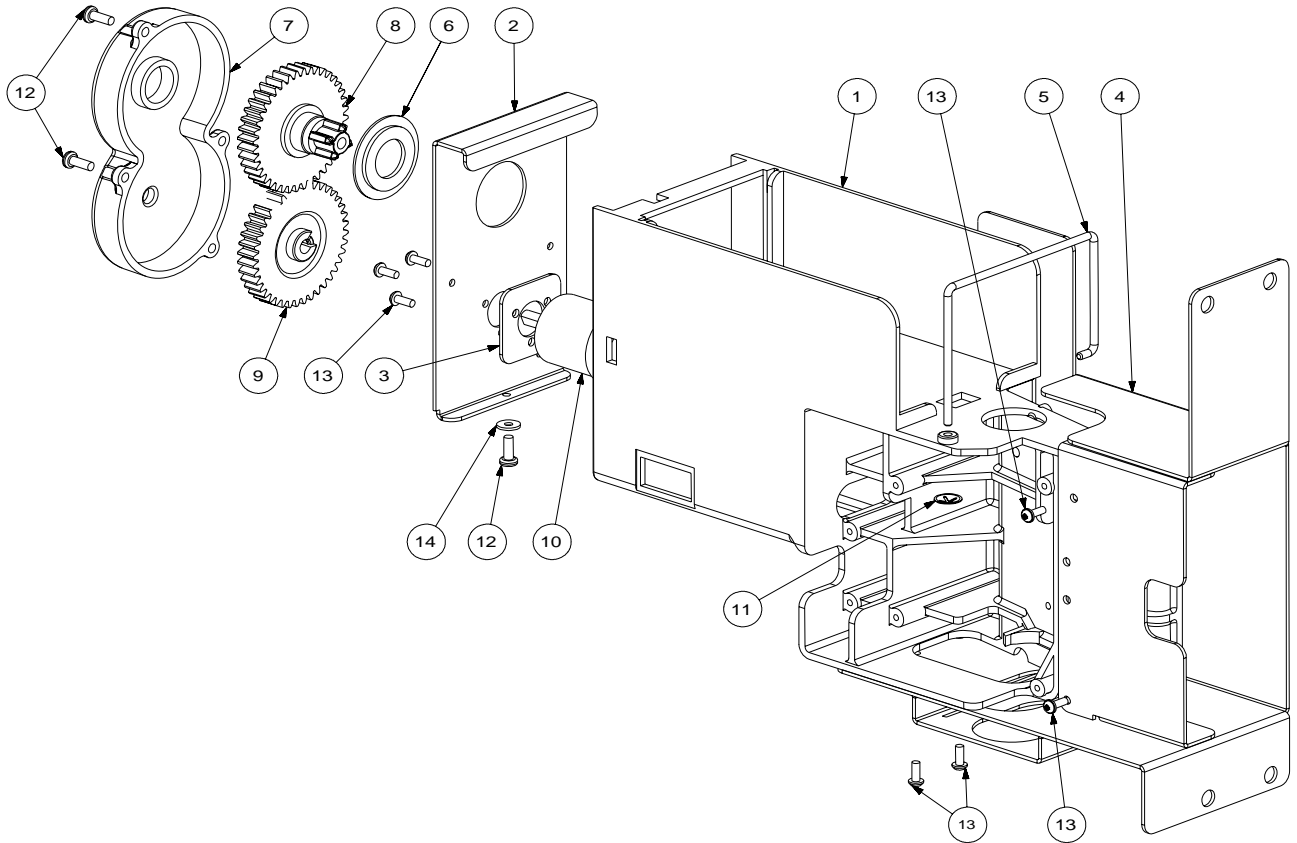
Rif.	Codice	Denominazione	Versioni
1	0701.954	Adhesive Arrow	
2	0894.066	Coffeegrinder Support Shelf	
3	0894.617	Connection Earth	
4	0894.A18.00A	Wh.Coff.Grind.+Batch.And Regul Plus	
5	129511903	Screw Tcb 2,9x6,4 Din 7981 Bz Nick	
6	9129.A01.00P	Coffee Doser Coil Ass.24v 50/60hz	
7	9140.001.00A	Coffegrinder Motor Ass.220/230v	
8	9140.002.00A	Motor Ass.With Cap 230v	
9	9140.017.06A	Coff.Grind-Dos. Ass.Da 10p 7gr. 220	
10	9140.018.06A	Coff.Grind-Dos. Ass.Da 10p 9gr. 220	
11	9141.001	Brass Ncrement Screw Mc	
12	9141.003	Spacer For Rubber	
13	9141.005	Knob Pin	
14	9141.006	Spring For Knob Pin	
15	9141.007	Fan	
16	9141.008	Knob Adjustment Screw	
17	9141.013.060	S/Screened Knob Brown	
18	9141.014.060	Motor Protection Casing Brown	
19	9141.081	Flat Mill D.43 Titanium	
20	9160.001.06P	Coffee Doser Ass.Da 7p 24v	
21	9160.025.06P	Coffee Doser Ass.Da 7p 9 Gr. 24v	
22	9161.001.060	Doser Support Brown	
23	9161.005	Spring For Dispenser Door	
24	9161.006	Pin For Regulation Micro	
25	9161.007	Pin For Fixing Micro	
26	9161.008	Spring For Regulation Pin	
27	9161.009	Space For Regulation Pin	
28	9161.010.060	Pin Brown	
29	9161.011	Piston For Magnet	
30	9161.012.060	Connecting Rod Brown	
31	9161.131.060	Modified Doser Casing Brown	
32	9161.219.150	Doser Casing 9 Gr. Grey Modified	
33	9161.361	Mylar Guard For Microbatcher	
34	9991.005	Rubber For Coffee Grinder	
35	NE05.058	Doser Micro N.V.	
36	NE13.022	Copper Rivet D.4 With Tongue 6,3	
37	NF13.001	Ring For Pins D.3	
38	NM03.003	Or 3187 Nbr	
39	U034.002	Screw Tci M3,0x8 Uni 6107 Galv.	
40	U043.001	Screw Tcbc M4,0x10 Uni 7687 Galv.	
41	U043.004	Zn-B Tcb Screw M4x16	
42	U043.007	Screw Tcbc M3,0x8 Uni 7687 Galv.	
43	U046.005	Screw Te M5,0x10 With Washer	
44	U109.006	Screw Aut.Tcb 2,2x9,5 Din 7981 C	
45	U109.016	Screw Aut.Tcb 3,9x13 Din 7981 C	
46	U207.002	Plain Washer 4,3x9 Uni 6592 Gal	
47	U207.003	Plain Washer 3,2x7 Uni 6592 Gal	

Rif.	Codice	Denominazione	Versioni
48	U208.001	Toothed Washer 4,3x8 Uni 3703 B	
49	U208.002	Toothed Washer 3,3x5,8 Uni 3703 G	
50	U310.001	Nut Self Lock.M3 Uni 7473	
51	U406.001	Elastic Pin 3,0x8 Uni 6873	



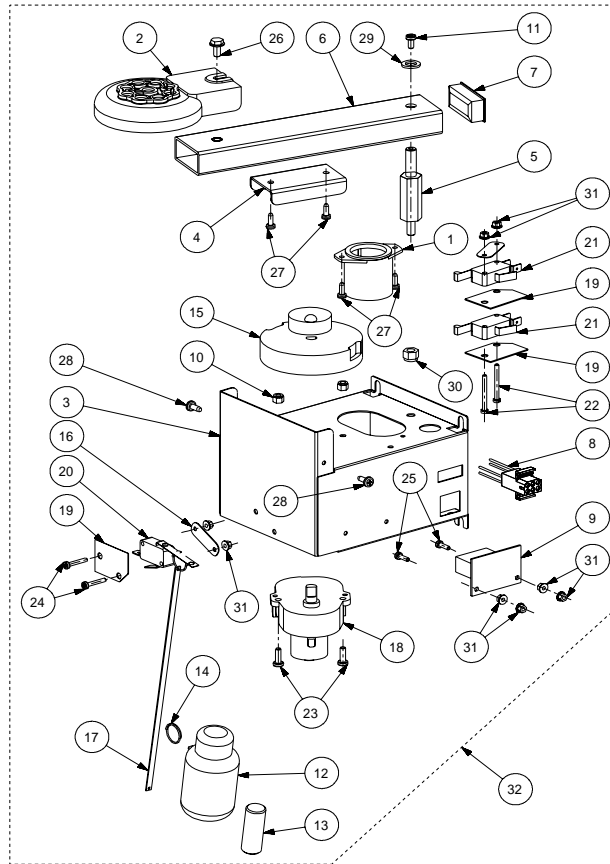
Rif.	Codice	Denominazione	Versioni
1	0894.162	Ass.Bracket	
2	1812.010	Lower Cross Beam	
3	1812.053	Tubes Support Unloaded	
4	9111.527.050	Tube Conveyor Coffee Discharge	
5	NF11.091	Rivet Pin	
6	NF11.092	Hands Tube D.16	
7	NF11.093	Hands Tube D.10	
8	U046.003	Screw Tcbd Torx 20 M4x12 Zn-B	
9	U047.005	Screw Tt M3x14	
10	U109.011	Screw Aut.Tcb 3,9x9,5 Din 7981 C	
11	U127.011	Screw Tapt.Tcb M5,0x8 Din 7500c	
12	U324.005	Nut M3 Flanged Indented Base	
13	1812.A05	Ass.Lower Cross Beam	

Rif.	Codice	Denominazione	Versioni
------	--------	---------------	----------



Rif.	Codice	Denominazione	Versioni
1	0894.158	Distributor Sugar Support Shelf	
2	11001569	Support Motor Lip Sugar	
3	11001570	Spacer Motor Lip Sugar	
4	11001649	Assembly Support Sugar Shelf	
5	11001656	Auction Block Container Sugar	
6	11001660	Protection Bush	
7	9111.687.A20	Gear Cover	
8	9111.694	Joint With Gear	
9	9111.695	Gear Z40	
10	9121.106.00P	Sugar Ratiomotor 24v Dc	
11	NF13.006	Ring For Pin D.3 Quiclock Zinc	
12	U110.003	Screw Aut.Tcb 3,5x9,5 Din 7981 F	
13	U116.005	Screw Aut.Pl Tcb 3,0x8 Wn 1441	
14	U201.001	Plain Washer 3,2x9 Din 7349 Gal	

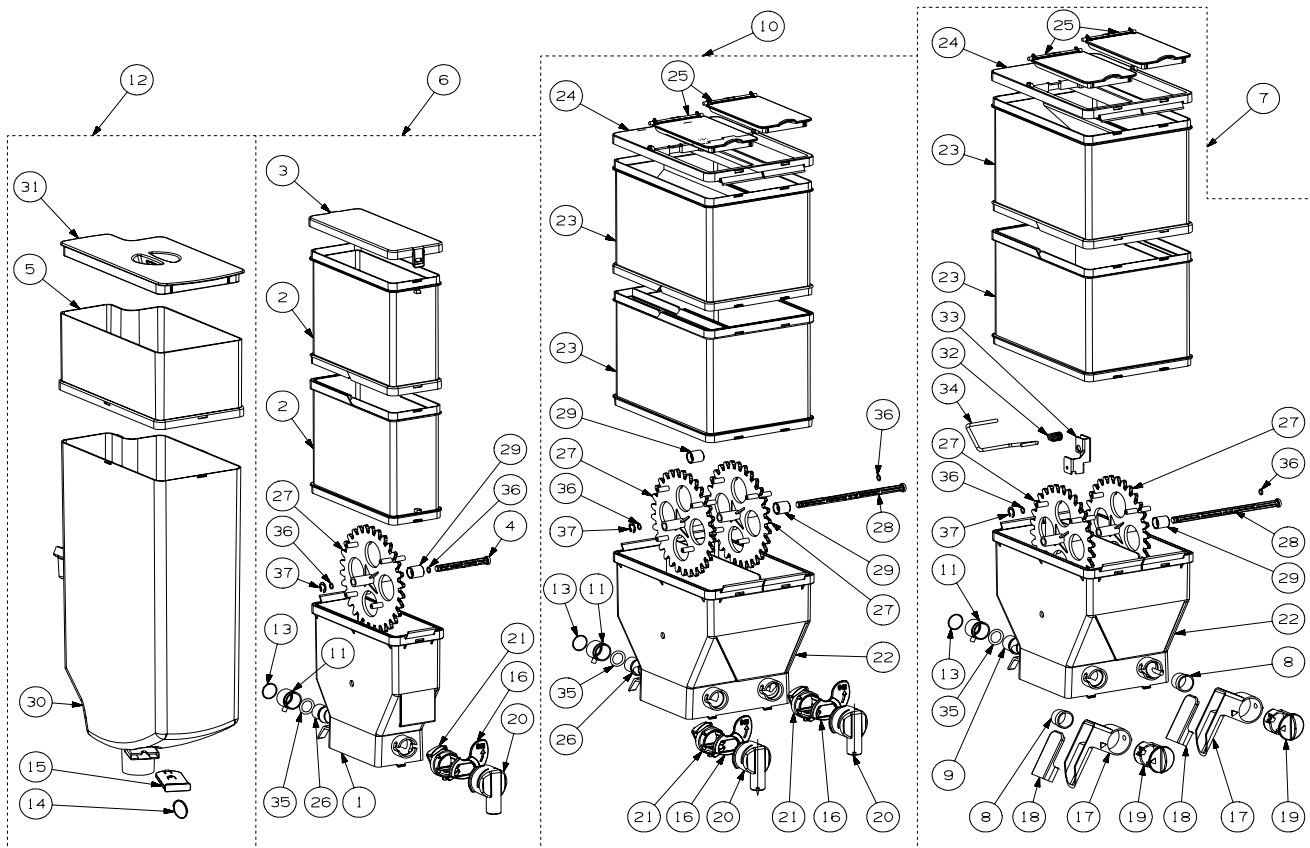
Rif.	Codice	Denominazione	Versioni



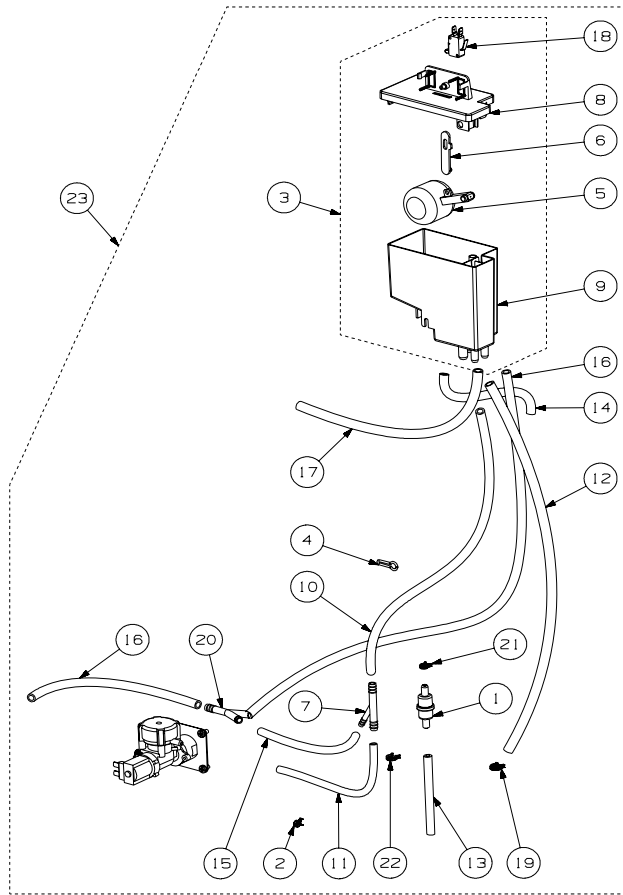
Rif.	Codice	Denominazione	Versioni
1	0870.048	Aspiration Bush	
2	0870.066.050	Nozzle Support Flange Black	
3	0871.030	Nozzle Arm Support Ass.	
4	0871.031	Nozzle Arm Guide	
5	0871.116	Nozzle Arm Support Pin	
6	0871.117	Nozzle Arm	
7	0871.131	Rectangular Finned Head Cover	
8	0871.612	Nozzle Dispensing Unit Harness	
9	0894.638	Brake Harness	
10	123453102	Self Lock Nut M4 Din 982 High Galv.	
11	129823802	Tcb Screw M4x8 Uni 7687 Znp	
12	9111.130	Float For Discharge Level	
13	9111.147	Counterweight For Float	
14	9111.148	Elastic Ring For Float	
15	9111.324.050	Entrainment Cam	
16	9111.407	Micro Plate	
17	9111.413	Chain For Discharge Level L=210	
18	9121.132.00P	Motoreducer Fiber 24v	
19	9991.014	Card For Micro Switches	
20	NE05.041	Microswitch	
21	NE05.059	Microswitch Saia With Wheel L=25,5	
22	U034.001	Screw Tci M3,0x30 Uni 6107 Galv.	
23	U043.011	Screw Tcbc M4,0x12 Uni 7687 Galv.	
24	U043.023	Screw Tcbc M3,0x18 Uni 7687 Galv.	
25	U043.028	Screw Tcbc M3,0x10 Uni 7687 Galv.	
26	U046.005	Screw Te M5,0x10 With Washer	
27	U109.003	Screw Aut.Tcb 3,5x9,5 Din 7981 C	
28	U110.005	Screw Aut.Tcb 3,9x9,5 Din 7981 F	
29	U207.007	Plain Washer 8,4x14 Uni 6592 Ga	
30	U310.004	Nut Self Lock.M6 Uni 7473	
31	U324.005	Nut M3 Flanged Indented Base	
32	0871.A14.00P	Nozzle Arm Support Ass.	

Rif.	Codice	Denominazione	Versioni
------	--------	---------------	----------

TAVOLA 20 di 26

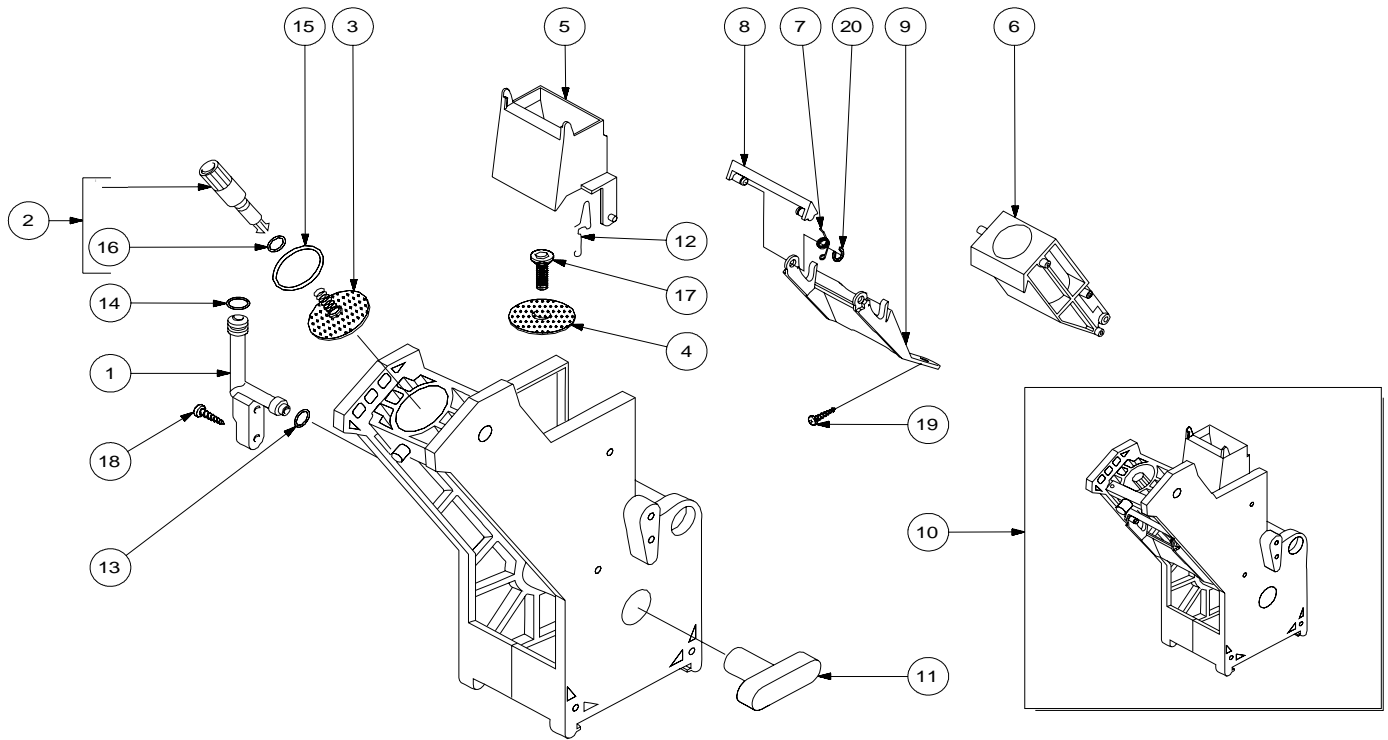


Rif.	Codice	Denominazione	Versioni
1	11001576	Base Container Single Soluble	
2	11001577	Extension Container Single Soluble	
3	11001578	Cover Container Single Soluble	
4	11001580	Pin Wheel Container Single Soluble	
5	11001581	Extension Tank Coffee	
6	11001645	Assembly Single Container	
7	11001652	Assembly Double Container	
8	11001654	Bush Container	
9	11001658	Scroll Screw	
10	11001815	Container Ass.Double Sq 700 Rev. 2006	
11	11005457	Rear Bush New	Valido dal 09-01-2007
12	11006485	Coffee Tank Assembly With Extension	
13	140328461	Epdm Or Metric 0190-10	Valido dal 09-01-2007
14	1431.003	Keyholder Ring	Valido dal 27-07-2008
15	1813.027.A20	Shutter For Coffee Container	
16	9111.338.270	Bulkhead For Apert. Closure Orange	
17	9111.425.060	Powder Duct	
18	9111.428.060	Plug For Left-Right Duct	
19	9111.457.060	Bush For Left/Right Duct Cosmec	
20	9111.629.060	Aperture For Solubles Hopper	
21	9111.630.060	Bush For Powders Tank	
22	9111.680	Base Container Double Soluble	
23	9111.681	Double Extension 145	
24	9111.682	Cover Container Double Soluble	
25	9111.683	Soluble Cover	
26	9111.701	Scroll Screw Double Container	
27	9111.702	Wheel Double Container	
28	9111.703	Double Pin For Wheel	
29	9111.704	Bush For Wheel	
30	9111.724	Container For Coffee Bean	
31	9111.728	Cover For Coffee Container	
32	9111.731	Spring	
33	11007155	Agitator Support	
34	9111.736	Wire Agitator	
35	NM03.013	Or 2,3x15 Nbr	
36	NM03.022	Or Orm 0060-10 Nbr	
37	U701.003	Snap Ring 7 Uni 7434	



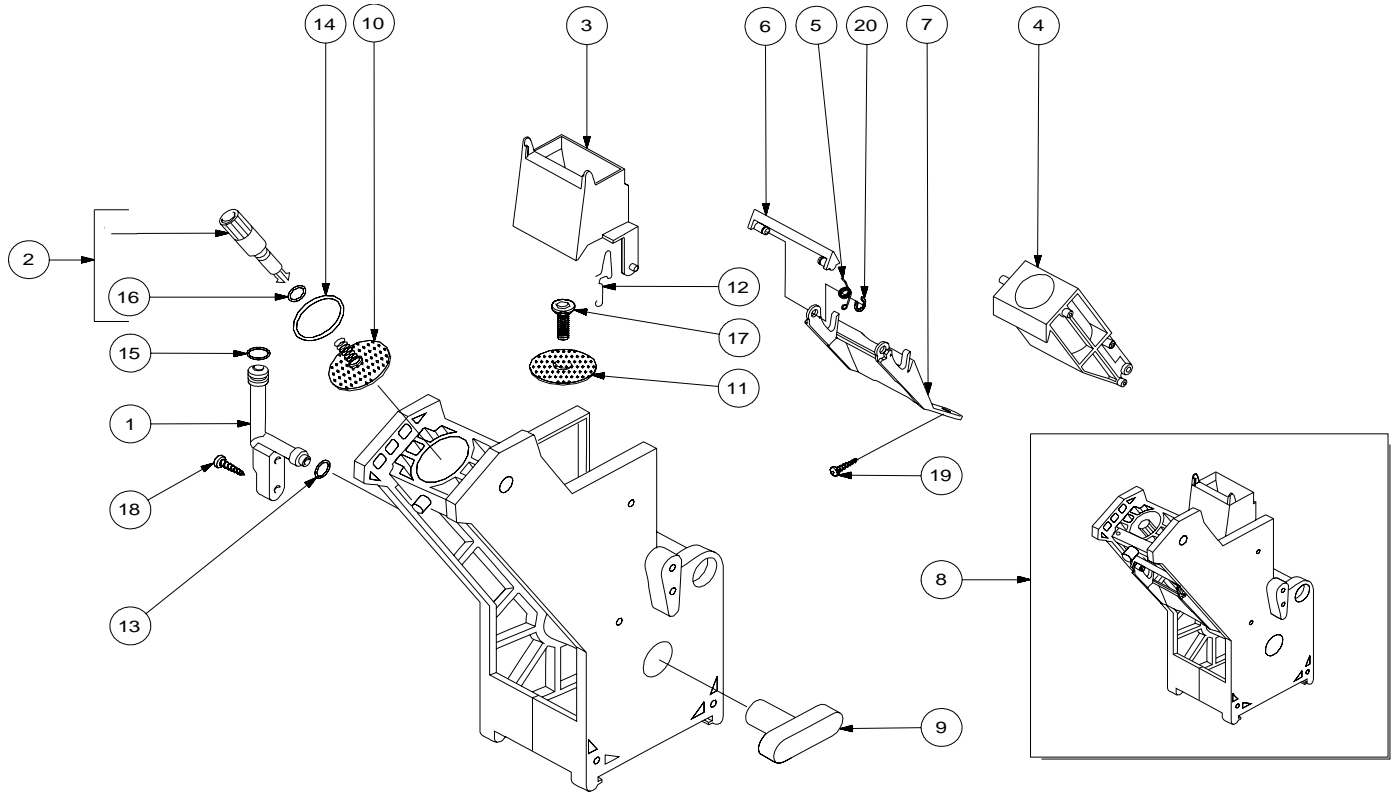
Rif.	Codice	Denominazione	Versioni
1	144650300	Suction Filter Gauze Net 500 (New)	
2	184320200	Spring Hose Clamp D=9,5mm	
3	9110.134	Water Tank Ass. Air-Break Sq700 M.	
4	9111.141	Discharge Tube Closure Spring	
5	9111.508	Float For Air Break Bowl	
6	9111.512	Lever For Water Tank	
7	9111.556	Y Connection	
8	9111.623	Lid Tank Air Break	
9	9111.641	Tank Air Break	
10	9972.130	Silicone Tube 7x11 L.470 Mm	
11	9972.191	Silicone Tube 6x9 L.230 Mm	
12	9972.219	Silicone Tube 5x10 L. 2 Mt	
13	9972.258	Silicone Tube 5x10 L.560 Mm	
14	9972.292	Silicone Tube 7x11 L.240 Mm	
15	9972.300	Silicone Tube 5x10 60sr L=50 Mm	
16	9972.308	Silicone Tube 7x11 L.540 Mm	
17	9972.313	Silicone Tube 8x12 L.170 Mm	
18	NE05.062	Microswitch + Wheel	
19	NV99.050	Hoseclamp D. 13.3/14.1	
20	NV99.066	Plastic "Y" Connector 3 Way	
21	NV99.072	Hose Clamp D. 11.6/12.3	
22	NV99.087	Band D=11/11,6	
23	1812.A21	Cup Ass. Air/Break Assemble Sq700 N	

Rif.	Codice	Denominazione	Versioni
------	--------	---------------	----------



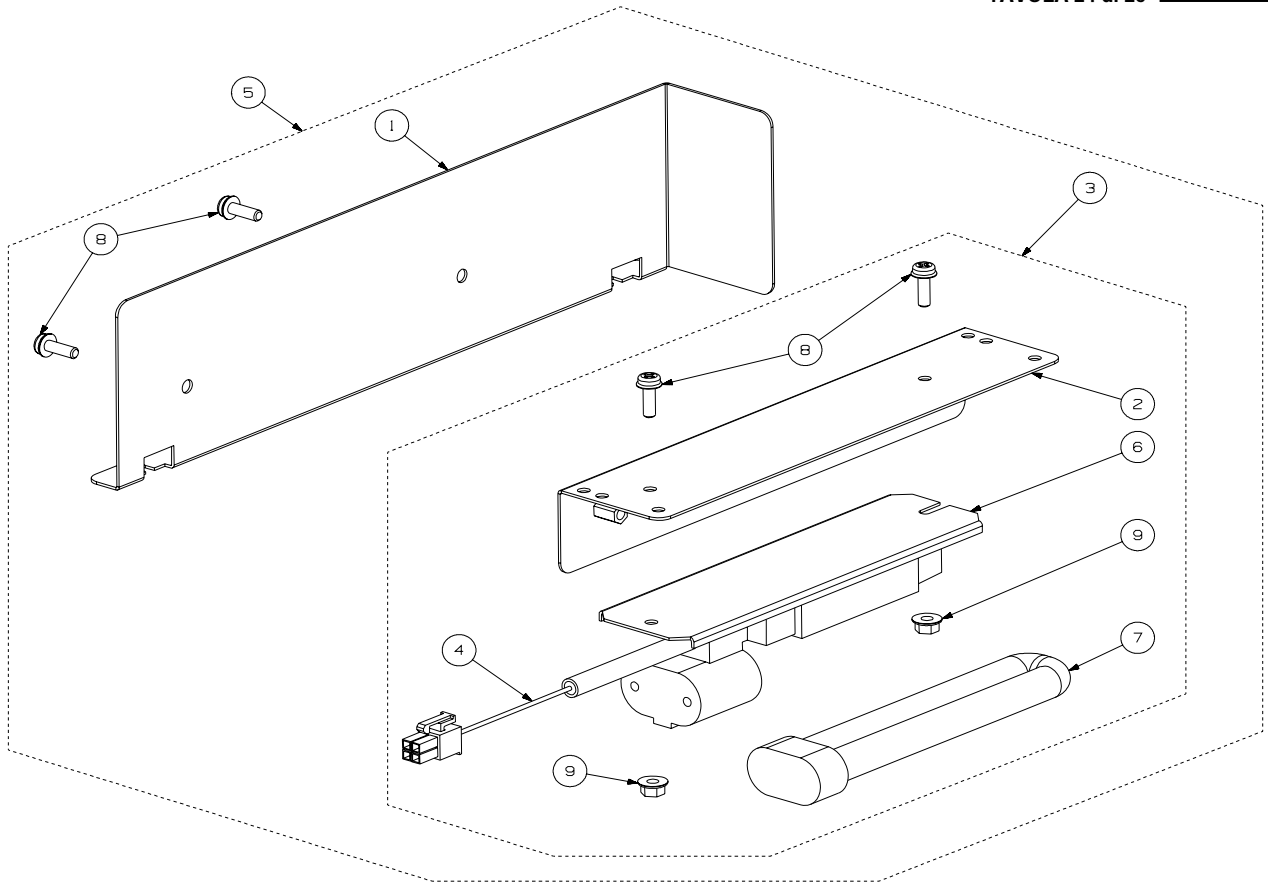
Rif.	Codice	Denominazione	Versioni
1	0701.R04.060	Brown Connector	
2	9169.A14.060	Pin For Percolator Brown	
3	0701.R07	Upper Percolator	
4	0701.R08	Lower Percolator	
5	0701.R09.060	Brown Hopper	
6	0701.R13	Coffee Container Ass. Brown Unit	
7	9111.520	Spring For Scraper Section 0.6	
8	9111.537.060	Brown Scraper Coffee Group	
9	9111.539.060	Fork For Scraper	
10	9160.078.060	Brown Brew Unit Da 10p 7 Grams	
11	9161.021.060	Key For Brew Unit Brown	
12	9161.425	Spring For Scraper	
13	NM01.003	Or 2018 Silicone	
14	NM02.004	Or Orm 0080-20 Termoil	
15	NM02.005	Or 4112 Termoil	
16	NM02.006	Or R5 Termoil	
17	129851921	Tsp Screw M3x6 Uni 7688 Ss	
18	U109.014	Screw Aut.Tcb 2,9x16 Din 7981 C	
19	U110.013	Screw Aut.Tcb 3,9x6,5 Din 7981 F	
20	U701.006	Snap Ring 3,2 Uni 7434	

Rif.	Codice	Denominazione	Versioni



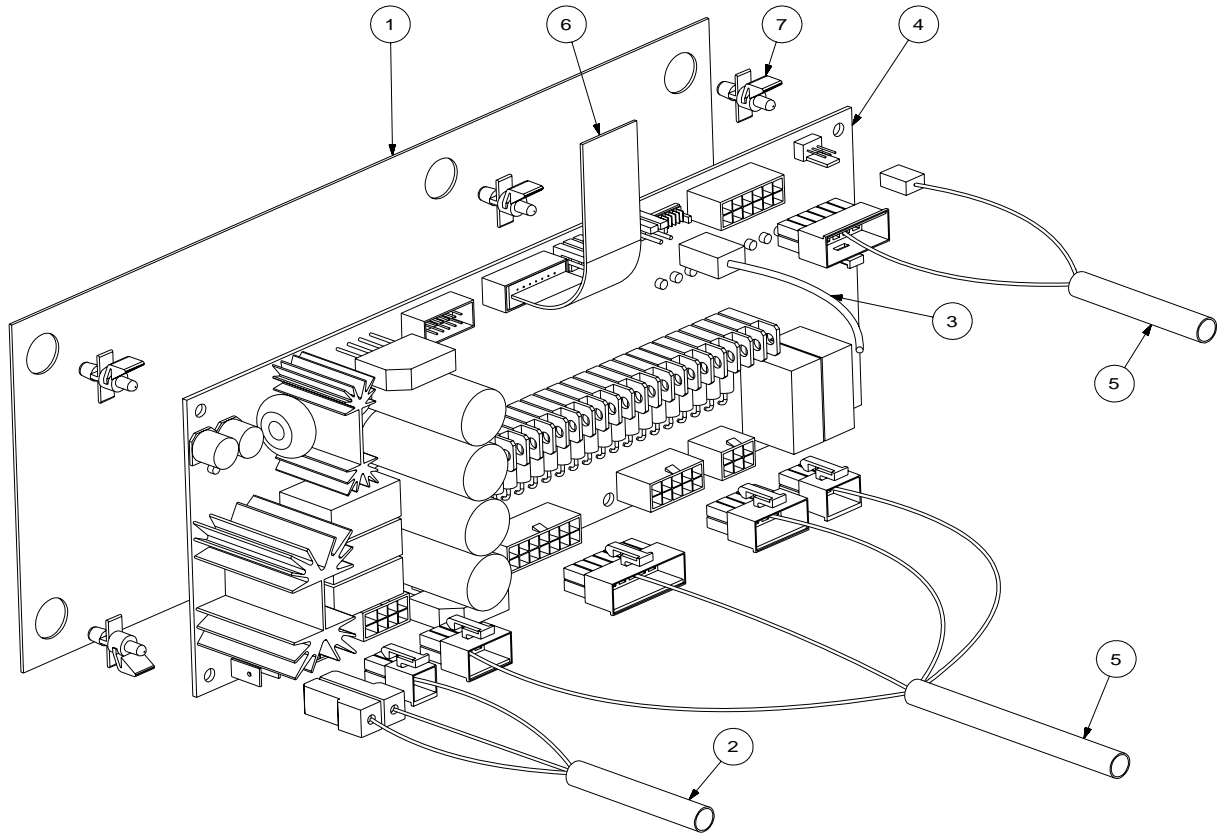
Rif.	Codice	Denominazione	Versioni
1	0701.R04.150	Grey Connector	
2	9169.A14.150	Pin Fop Percolator Grey	
3	0701.R09.150	Grey Hopper	
4	1014.R06.150	Coffee Cont. Grey 9 Gr	
5	9111.520	Spring For Scraper Section 0.6	
6	9111.537.150	Grey Scraper Coffee Group	
7	9111.539.150	Fork For Scraper	
8	9160.079.150	Brew Unit 9 Grams	
9	9161.021.060	Key For Brew Unit Brown	
10	9161.036	Upper Percolator For Unit	
11	9161.037	Lower Percolator For Unit	
12	9161.425	Spring For Scraper	
13	NM01.003	Or 2018 Silicone	
14	NM01.044	Or Orm 0320-40 In Silicone Ptf/Fda	
15	NM02.004	Or Orm 0080-20 Termoil	
16	NM02.006	Or R5 Termoil	
17	129851921	Tsp Screw M3x6 Uni 7688 Ss	
18	U109.014	Screw Aut.Tcb 2,9x16 Din 7981 C	
19	U110.013	Screw Aut.Tcb 3,9x6,5 Din 7981 F	
20	U701.006	Snap Ring 3,2 Uni 7434	

Rif.	Codice	Denominazione	Versioni
------	--------	---------------	----------



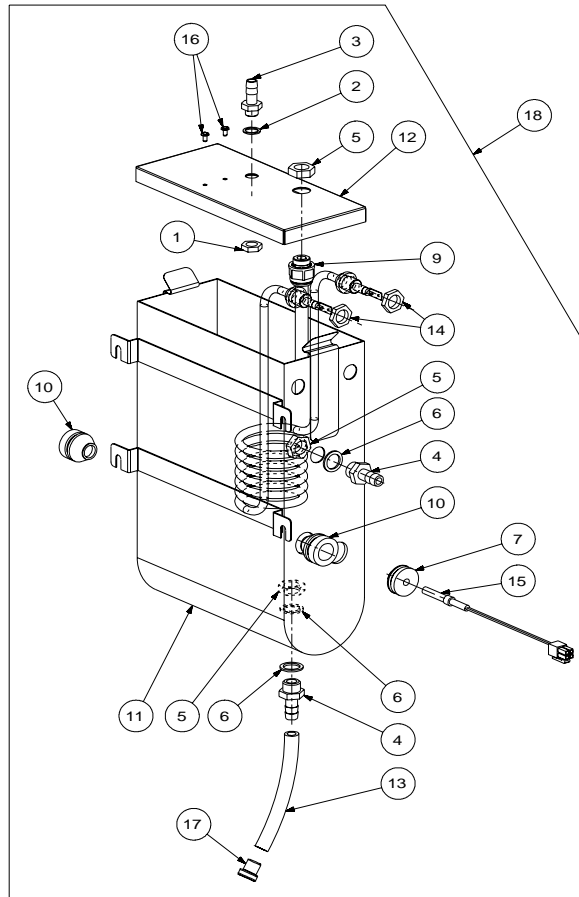
Rif.	Codice	Denominazione	Versioni
1	0894.096	Lamp Cover	
2	0894.141	Lamp Support	
3	0894.A14.00A	Sugar Slide Ass.	
4	1812.612	Lamp Harness Push Button Panel	
5	1812.A12.00A	Sugar Slide Ass.	
6	NE06.009	Lamp Holder	
7	NE06.010	Lamp F9bx/827 G23 9w 230v	
8	U046.003	Screw Tcbd Torx 20 M4x12 Zn-B	
9	U324.006	Nut M4 Flanged Indented Base	

Rif.	Codice	Denominazione	Versioni
------	--------	---------------	----------



Rif.	Codice	Denominazione	Versioni
1	1812.060	Card Protection Plate	
2	1812.604	General Harness 230v	
3	0894.623	Probe Harness	
4	0894.640	Power Card Reg.Sg500/700n 796	
5	1812.606	General Harness 24v	
6	1873.603	Harness	
7	9111.402	Spacer For Card	

Rif.	Codice	Denominazione	Versioni



Rif.	Codice	Denominazione	Versioni
1	0871.139	Hexagonal Nut Ch.14 1/8" Gas	
2	0871.140	Copper Washer	
3	0871.141	Male Rubber Holder Cyl. D.9	
4	0871.142	Male Rubber Holder Cyl. D.10	
5	0871.143	Hexagonal Nut Ch.14 1/4" Gas	
6	0871.144	Copper Washer D.18	
7	9011.210	Tube Grommet Immersion Probe D6	
8	9011.233.00A	Heat Element 230v 1300w	
9	9110.068	Ass.Tube For Limiter	
10	9111.507	Tube Grommet For Solenoid Valve	
11	9111.568	Welded Boiler Ass.	
12	9111.570	Boiler Lid	
13	9972.134	Silicone Tube 7x11 L.850 Mm	
14	9991.029	Nut For Resistor	
15	NE13.065	Solubles Probe Ass.	
16	NF11.113	Blind Rivets 3x8 Alx Special.	
17	NV03.006	Cap Kapsto Lpn 615/010	
18	9010.101.00A	Boiler Ass. Assembled 230v	

Rif.	Codice	Denominazione	Versioni
------	--------	---------------	----------