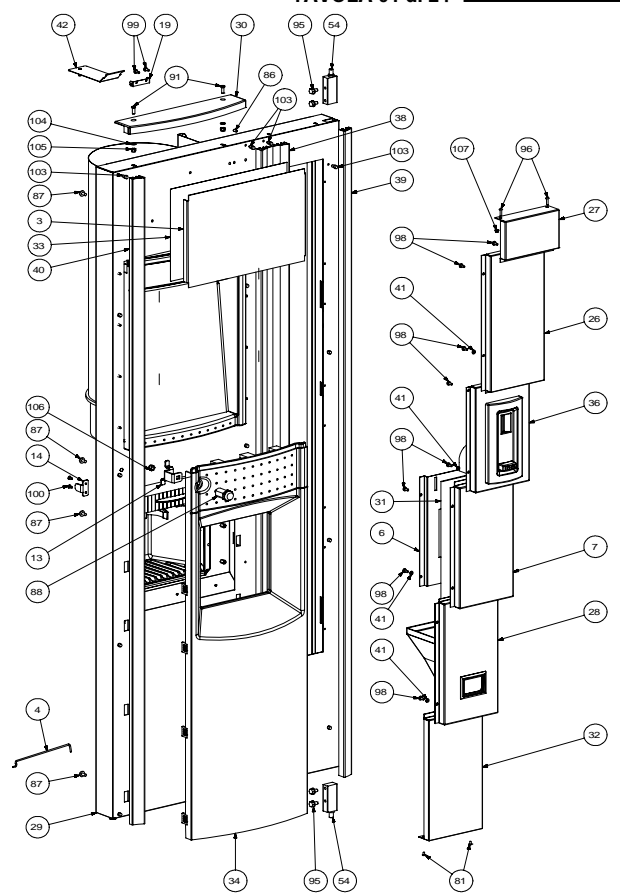
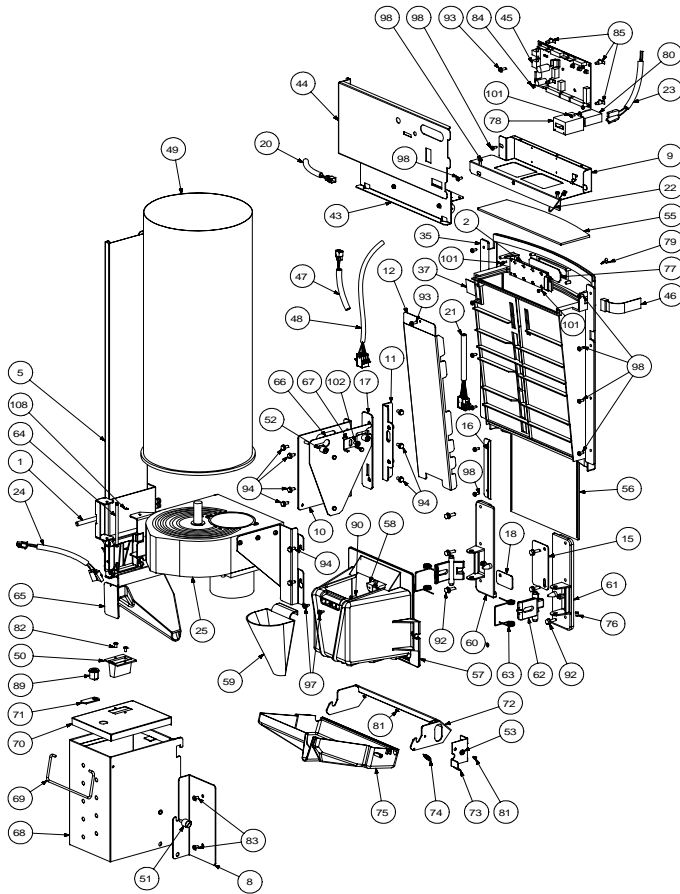
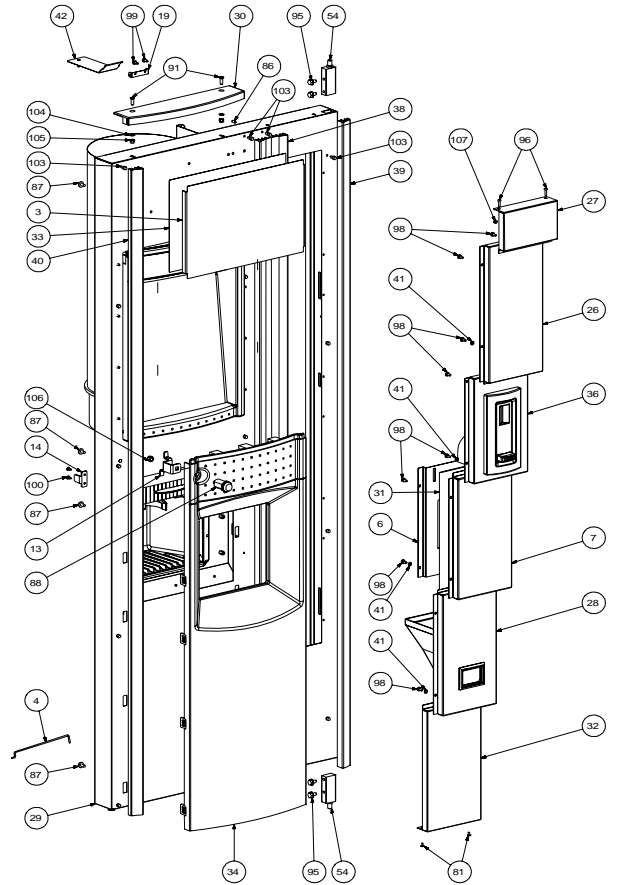
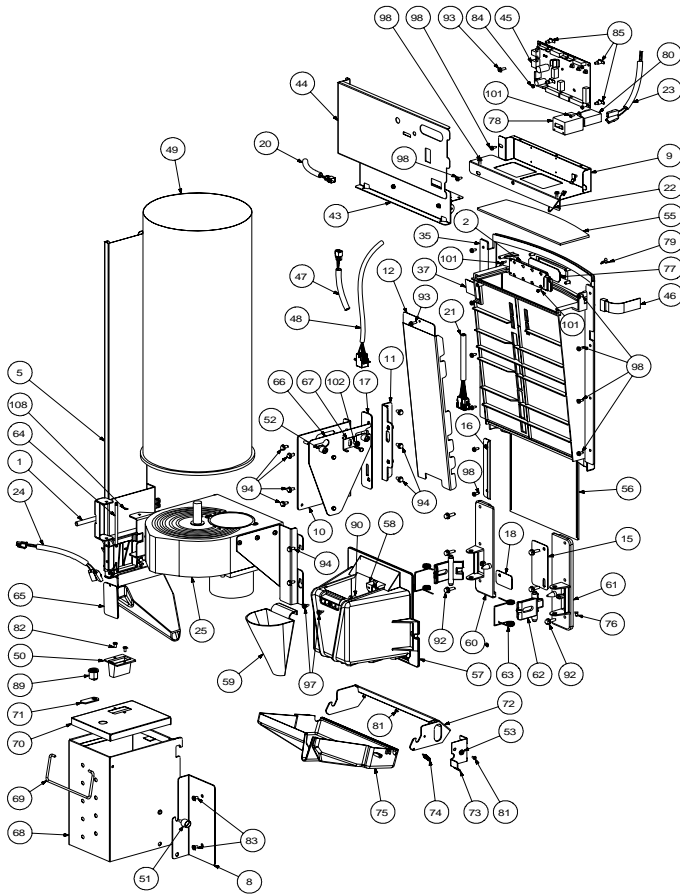


TAVOLA 01 di 24



Rif.	Codice	Denominazione	Versioni
1	0701.060	Stirrer Counterweight	
2	0862.603	Display	
3	0870.113	Transparent Pvc Data Plate Saeco	
4	0870.130	Door Retainer Rod	
5	0870.A11.00P	Stirrer Dispenser Ass. 90 Mm	
5	0870.A15.00P	Stirrer Dispenser Ass. 105 Mm	105 mm;
5	1858.A06.00P	Stirrer Dispenser Ass.	115 mm;
6	0871.078	Transparent Tile Protection	
7	0871.079	Transparent Tile	
8	0871.101	Coin Case Fixing Bracket	
9	0894.086	Display Lamp Support	
10	0894.093	Coin Box Support	
11	0894.094	Coin Box Support Plate	
12	0894.095	Push Button Reinforcement	
13	0894.142	Lever For Lock	
14	0894.145	Bracket Door Micro	
15	0894.153	Faucet Fixing Plate Vain	
16	0894.170	Door Guide Vain	
17	0894.173	Ass.Plate Coin Box Regulation	
18	0894.180	Faucet Fixing Plate Vain Sx	
19	0894.185	Basket Stop Bracket	
20	0894.606	Door Harness 230v	
21	0894.609	Door Harness 24v	
22	0894.617	Connection Earth	
23	0894.628	Harness Counter	
24	0894.630	Stirrer Harness	
25	0894.A03.00P	Cup Distr. Module Ass. Sg500 N	
25	1858.A05.00P	Cup Distr. Module Ass.Sg500 N D.73	D.73;
26	11001734	Blind Tile Beige Met.	
27	11001735	Upper Tile S/Screen	
28	11001736	Coin Recovery Tile Assembly Beige Met.	
29	11001781	Assembly Door Welded Sg 500 Rev.2006	
30	11001782	Upper Frame Data Plate Red	
31	11001783	Transparent Module Plate	
32	11001784	Lower Tile Beige Met.	
33	11001785	Advertising Plate Sg 500 Rev. 2006	
34	11001787	Dispenser Frame Vain Red	
35	11001789	Push Button Panel Support Red	
36	11001791	Fitted Coin Introduction Tile Ass	
37	11001810	Push Button Sg500 Rev. 2006	
38	11001811	Central Strip W.73 L.1473 Red	
39	11001812	External Strip 26x1473	
40	11002362	External Strip 26x1473 Red	
41	128310404	Washer Uni 8842 A4 Burnished	
42	1812.072	Basket Stop Plate	
43	1812.A12.00A	Sugar Slide Ass.	
44	1873.001	Cpu Card Cover	

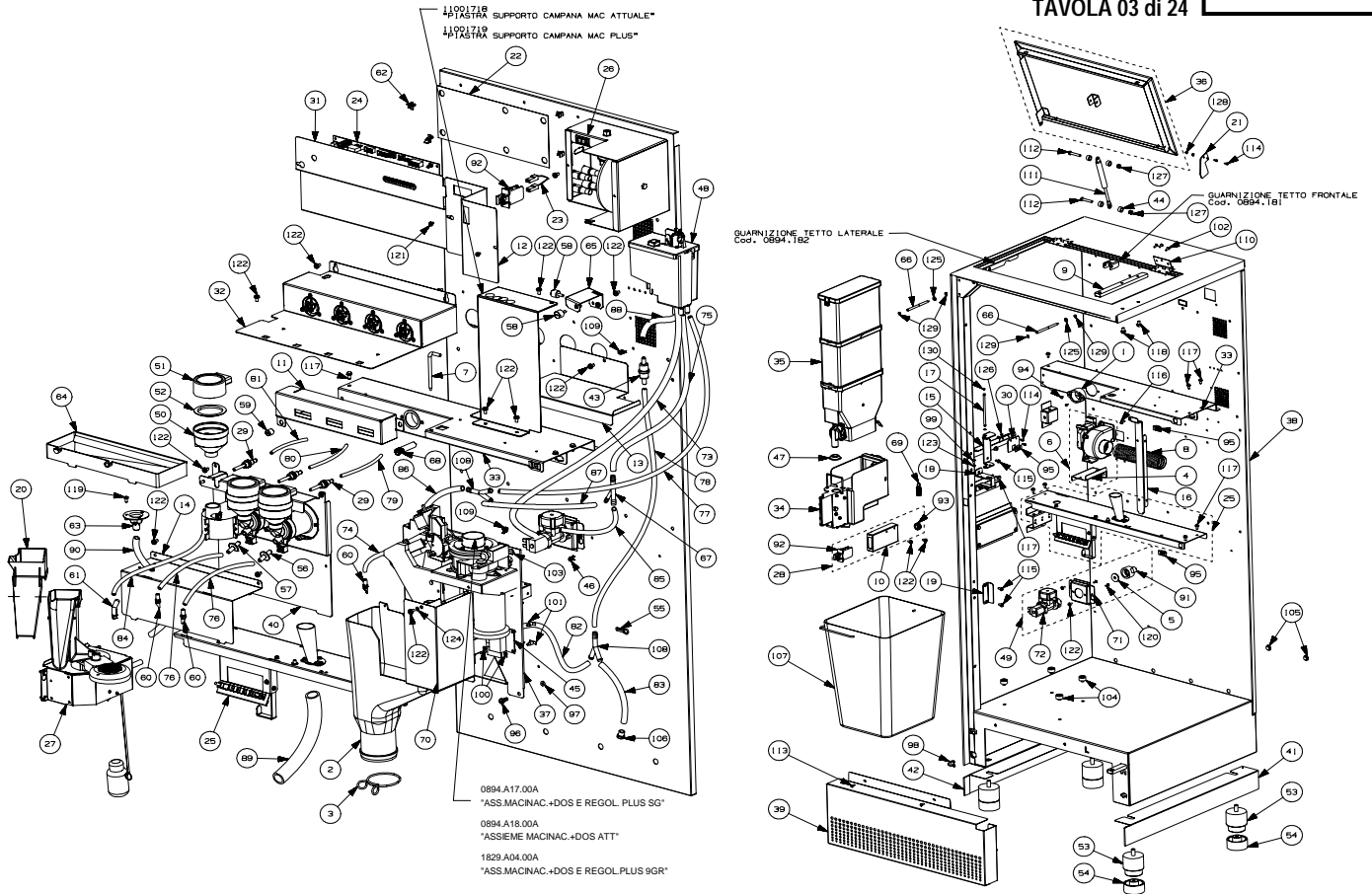
Rif.	Codice	Denominazione	Versioni
45	1873.601	Cpu Card I/O	
46	1873.602	Display Harness	
47	1873.604	Harness	
48	1873.605	Harness	
49	9111.152	Cup Holder Carousel H 545	
50	9111.174.050	Coin Hopper	
51	9111.330	Knurled Male Hand Bolt M5	
52	9111.331	Knurled Female Hand Bolt M5	
53	9111.334	Rotation Bush	
54	9111.359	Block For Hinge Ass.	
55	9111.363	Semi Transparent Panel For Lamp	
56	9111.365	Dispensing Compartm. Door	
57	9111.366.050	Dispensing Compartment Black	
58	9111.368.050	Variable Cup Support Black	
59	9111.369.050	Dispensing Compartment. Funnel Black	
60	9111.370.050	Left Support Disp.Comp. Black	
61	9111.371.050	Right Support Disp. Comp. Black	
62	9111.372.050	Disp. Compartment. Locking Lever Blac	
63	9111.373	Spring For Disp. Comp. Retaining	
64	9111.377	Stirrer Dispenser Rotation Pin	
65	9111.378.050	Stirrer Slide Black	
66	9111.381	Sheet Metal Ass. For Coin Box	
67	9111.384	Coin Box Fixing Bracket	
68	9111.385	Coin Case Ass.	
69	9111.388	Handle For Coin Case	
70	9111.390	Coin Case Lid	
71	9111.391	Lever For Lock	
72	9111.395	Dispensing Comp. Tray Support	
73	9111.396	Lever For Oscillat. Tray Disp.Comp	
74	9111.397	Spring For Tray /Lever Coin Recove	
75	9111.399.050	Dispensing Comp. Tray Black	
76	9111.411	Rubber Buffer For Compartment	
77	9111.746	Display Glass	
78	9991.140.050	Impulsecounterholder Keisu Gx-06r	
79	NE13.022	Copper Rivet D.4 With Tongue 6,3	
80	NE13.025.00P	Impulse Counter Keisu Gx-06r 24v	
81	NF11.015	Expansion Rivet D=2,8x8 Alu.	
82	NF11.027	Expansion Rivet D.4x7,95 Alu.	
83	NF11.046	Rivet 4,8x12	
84	NF11.047	Nut In Plastic	
85	NF11.048	Spacer For Cpu Card	
86	NV01.008	Hood For Dispen.Compartment Spring	
87	NV01.014	Rubber Buffer For Door	
88	NV02.229	Lock Rielda Mod.512 + Key	
89	NV02.094	Token Lock Viro	
90	U019.005	Screw Stei M5,0x10 Uni 5923 Galv.	
91	U044.011	Screw Tspc M5,0x16 Uni 7688 Galv.	



Rif.	Codice	Denominazione	Versioni
92	U046.001	Screw Tefz M5,0x16 Uni 6921 Galv.	
93	U046.003	Screw Tcbd Torx 20 M4x12 Zn-B	
94	U046.005	Screw Te M5,0x10 With Washer	
95	U046.006	Screw Te M6,0x10 With Washer	
96	U047.005	Screw Tt M3x14	
97	U109.004	Screw Aut.Tcb 4,8x9,5 Din 7981 C	
98	U109.011	Screw Aut.Tcb 3,9x9,5 Din 7981 C	
99	U110.005	Screw Aut.Tcb 3,9x9,5 Din 7981 F	
100	U111.005	Screw Aut.Tsp 3,9x9,5 Din 7982 C	
101	U116.005	Screw Aut.Pl Tcb 3,0x8 Wn 1441	
102	U127.011	Screw Tapt.Tcb M5,0x8 Din 7500c	
103	U143.021	Screw Special 4,8x9,5 Self Tap.	
104	U207.001	Plain Washer 5,3x10 Uni 6592 Gal	
105	U310.003	Nut Self Lock.M5 Uni 7473	
106	U310.004	Nut Self Lock.M6 Uni 7473	
107	U324.005	Nut M3 Flanged Indented Base	
108	U701.006	Snap Ring 3,2 Uni 7434	

Rif.	Codice	Denominazione	Versioni
------	--------	---------------	----------

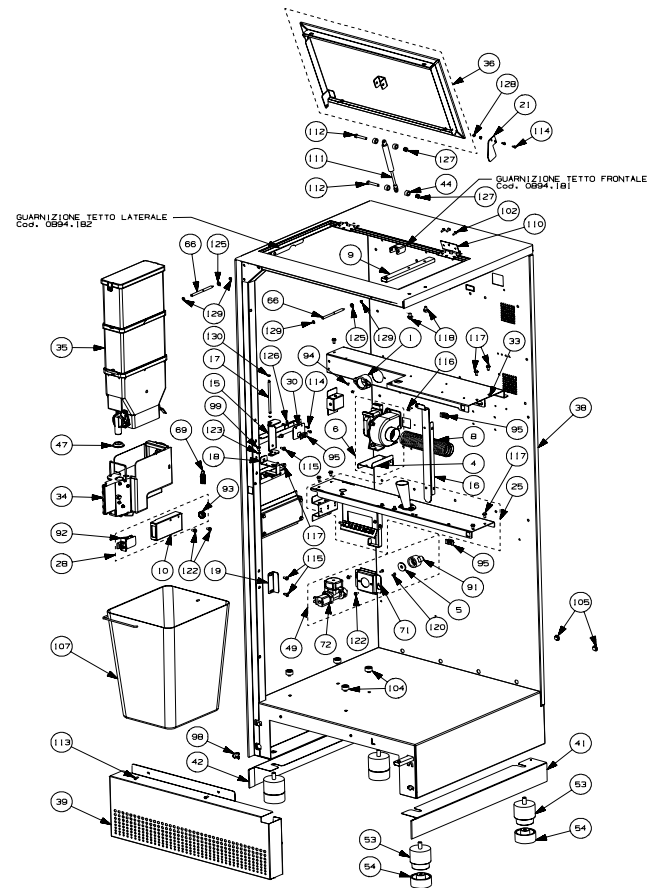
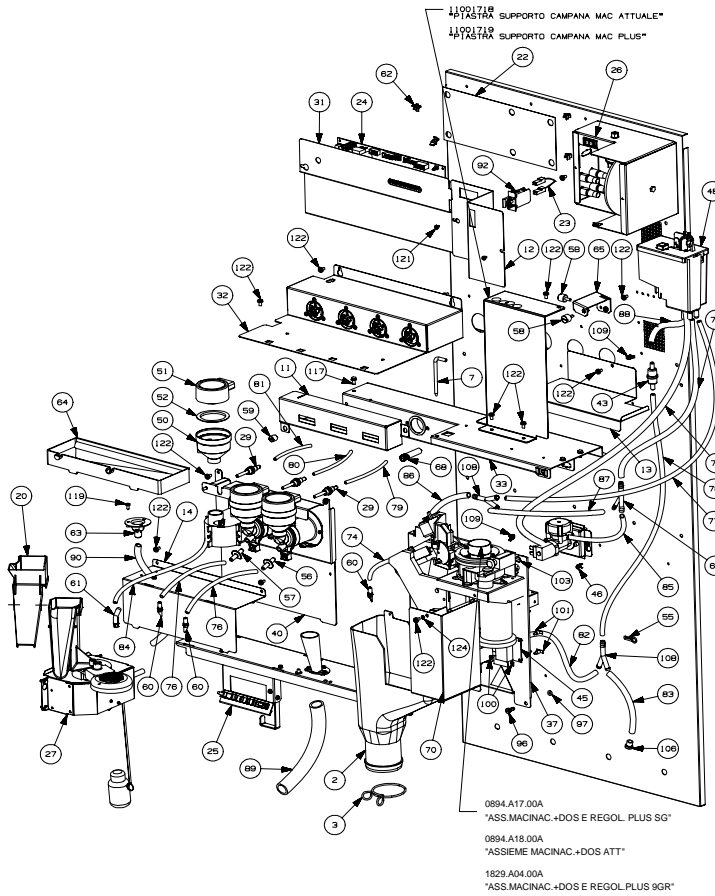
TAVOLA 03 di 24



Rif.	Codice	Denominazione	Versioni
1	0701.029.060	Aperture For Aspiration	
2	0862.111.050	Grounds Duct	
3	0862.112	Grounds Sack Ring 8p	
4	0870.055	Aspirator Support	
5	0870.058	Seal For Solenoid Valve	
6	0870.A04.00A	Aspirator Ass. Sg 500 230v	240 V;
6	0870.A04.00H	Aspirator Ass. Sg 500 240v	
7	0871.123	Brew Unit Plate Rotation Hook	
8	0894.009	Spiral Tube D.32 L=760 Mm	
9	0894.023	Plate Upper Hinge	
10	0894.032	Interblock Box	
11	0894.036	Ass.Group Aspiration Channel	
12	0894.045	Cover Trasformer	
13	0894.047	Closing Of Surface	
14	0894.065	Cup Shelf Mixer	
15	0894.072	Support Sugar Shelf	
16	0894.076	Ass.Support Harness	
17	0894.140	Pin For Shelf Sugar	
18	0894.143	Omega For Lock	
19	0894.152	Bracket Tank Rotation	
20	0894.161	Sugar Slide For Lid	
21	0894.171	Bracket Micro	
22	0894.172	Card Protection Plate	
23	0894.625	Harness Interblock Door	
24	0894.640	Power Card Reg.Sg500/700n 796	
25	0894.A05	Ass.Lower Cross Beam	
26	0894.A07.00A	Whole Transformer	
27	0894.A09.00P	Assembled Nozzles Arm And Sugar 24v	
28	0894.A11.00P	Ass.Interblock	
29	11000238	Injector	
30	11000457	Fixing Plate Sugar Shelf	
31	11001565	Coverage Electronic Card Power	
32	11001609	Assembly Support Ratiomotor And Box	
33	11001641	Assembly Upper Cross Beam	
34	11001642	Assembly Sugar Shelf	
35	11001645	Assembly Single Container	
36	11001712	Door Assembly Beige Met.	
37	11001713	Coffee Module Assembly Sg 500 Rev.2006	9 GR;
37	11003143	Coffee Module Ass. Sg 500 9gr 230v R.2006	
38	11001714	Complete Welded Chassis Sg 500 Rev.2006	
39	11001813	Skirting Band Assembly Beige Met.	
40	11001856	Mixer Module Assembly Sg 500 Rev.2006	
41	11002502	Skirting Band Right Beige Met.	
42	11002503	Skirting Band Left Beige Met.	
43	144650300	Suction Filter Gauze Net 500 (New	
44	1602.108	Door Pin Spacer	
45	1825.602	Filter Harness Plus	

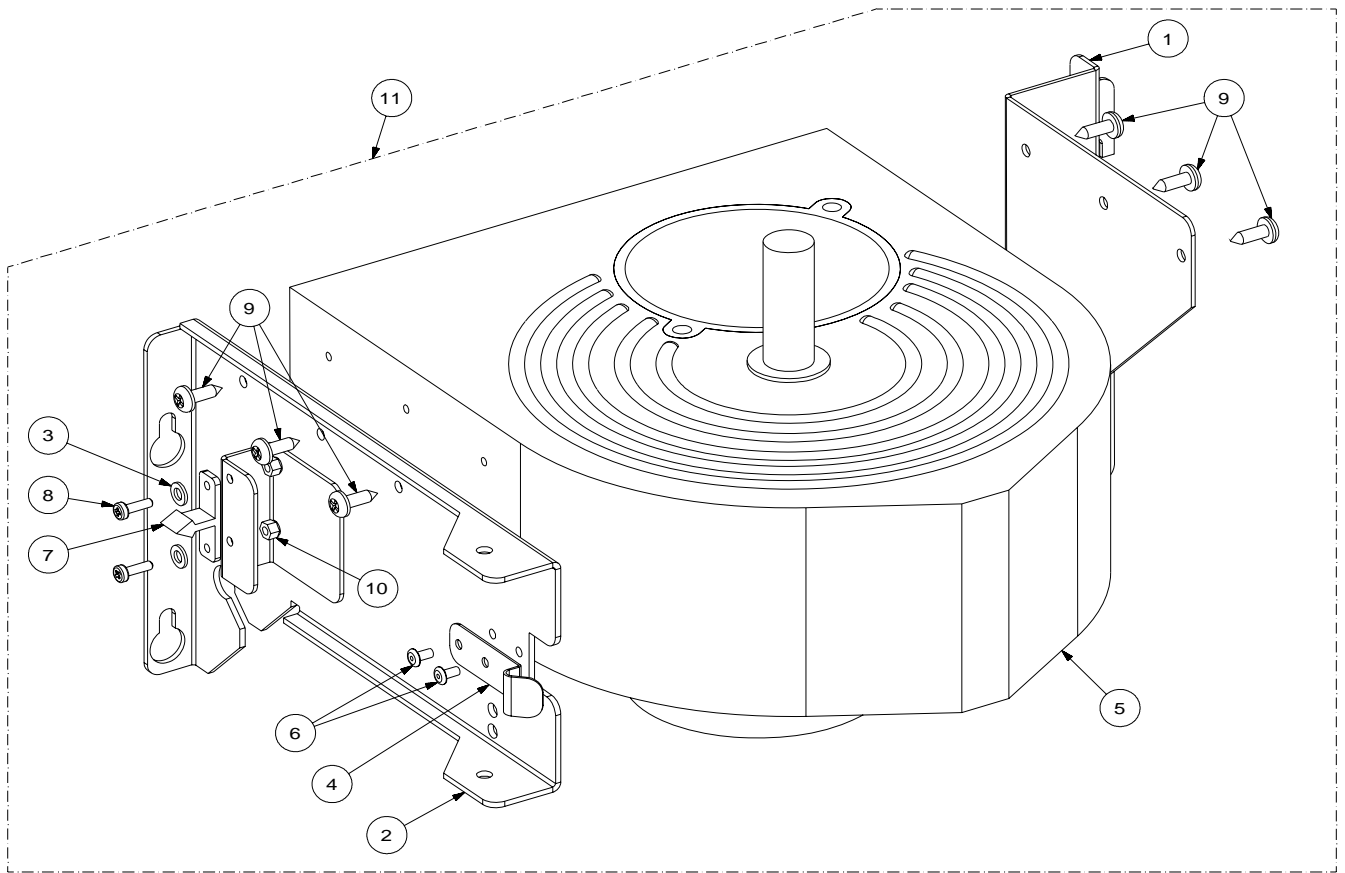
Rif.	Codice	Denominazione	Versioni
46	184320200	Spring Hose Clamp D=9,5mm	
47	9011.231	Rubber Holder For Sugar	
48	9110.102	Water Tank Ass. Air-Break Sg New	
49	9110.136.00P	Ass.Electrovalve Inlet Water 24v	
50	9111.009.060	Funnel For Powders Brown	
51	9111.010.060	Lid For Funnel Brown	
52	9111.011.060	Seal For Funnel Brown	
53	9111.125	Adjustable Foot Casing	
54	9111.126	Adjustable Foot Base	
55	9111.141	Discharge Tube Closure Spring	
56	9111.232.060	Std Tube Holder Sleeve	
57	9111.233.060	Decaff.Tube Holder Sleeve	
58	9111.330	Knurled Male Hand Bolt M5	
59	9111.331	Knurled Female Hand Bolt M5	
60	9111.348	Straight Dispensing Nozzle	
61	9111.349	Elbow Dispensing Nozzle	
62	9111.402	Spacer For Card	
63	9111.446.050	Funnel For Mixer Tray	
64	9111.526.050	Mixer Basin	
65	9111.533	Right Support Water Tank	
66	9111.535	Pivot Door Blocking	
67	9111.556	Y Connection	
68	9111.567	Fixing Pin	
69	9111.583	Spring For Sugar Shelf	
70	9111.651	Cover Ass. Fines Tasses	
71	9111.670	Omega Support Electrovalve	
72	9121.057.00P	Safety Electrovalve 24v Dc	
73	9972.035	Silicone Tube 8x12 L.1130 Mm	
74	9972.037	Silicone Tube Brown 5x8 L.300 Mm	
75	9972.079	Silicone Tube 7x11 L.365 Mm	
76	9972.108	Silicone Tube Brown 5x8 L.250 Mm	
77	9972.177	Silicone Tube 7x11 L.440 Mm	
78	9972.198	Silicone Tube 6x9 L.155 Mm	
79	9972.248	Silicone Tube 3,5x6 L.450 Mm	
80	9972.249	Silicone Tube 3,5x6 L.600 Mm	
81	9972.250	Silicone Tube 3,5x6 L.660 Mm	
82	9972.254	Silicone Tube 5x10 L.490 Mm	
83	9972.256	Silicone Tube 7x11 L.600 Mm	
84	9972.280	Silicone Tube Brown 7x11 L.685 Mm	
85	9972.298	Silicone Tube 6x9 L.270 Mm	
86	9972.299	Silicone Tube 7x11 L.560 Mm	
87	9972.300	Silicone Tube 5x10 60sr L=50 Mm	
88	9972.310	Silicone Tube 7x11 L.70 Mm	
89	9974.021	Tube Pvc 20x27 L.230	
90	9974.024	Tube Pvc 12x18 L.310 Mm	
91	9991.175	Conn. For Solenoid Valve Power	
92	NE05.039	Bipolar Microswitch	

TAVOLA 04 di 24



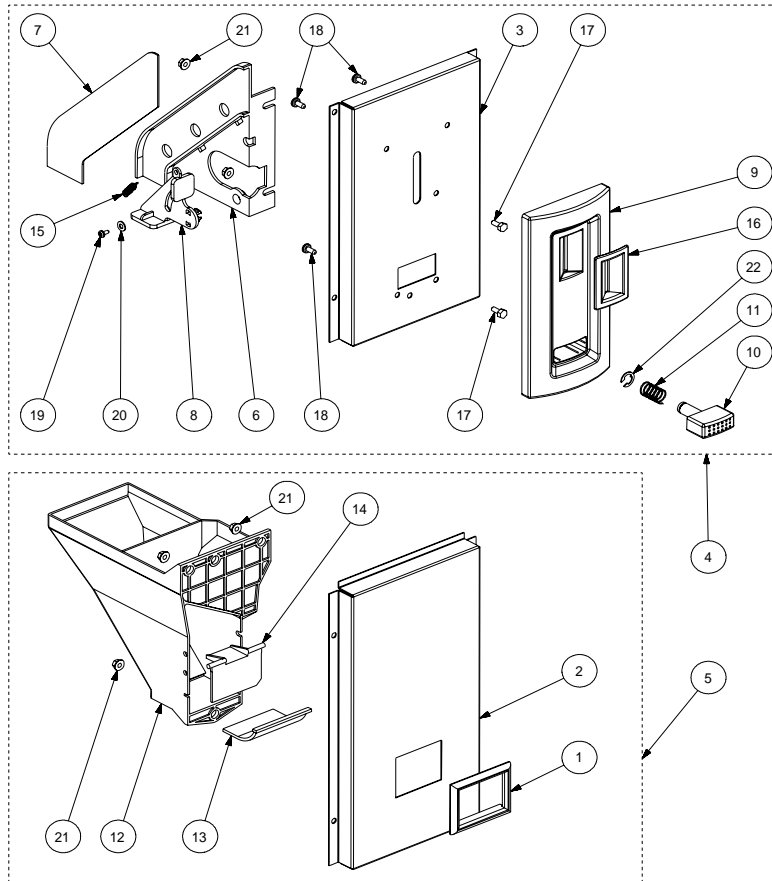
Rif.	Codice	Denominazione	Versioni
93	NE16.002	Grommet D.11x20,5xh.7	
94	NF11.015	Expansion Rivet D=2,8x8 Alu.	
95	NF11.017	Receptacle For Rapid Coupling	
96	NF11.018	Pin Rapid Coupling	
97	NF11.019	Rubber Ring For Rapid Coupling	
98	NF11.042	Clip For Skirting Band Pin	
99	NF11.046	Rivet 4,8x12	
100	NF11.047	Nut In Plastic	
101	NF11.048	Spacer For Cpu Card	
102	NF11.103	Rivet 4x8,6	
103	NF11.106	Pin Rapid Coupling	
104	NV01.010	Expansion Foot	
105	NV03.004	Cap Turaforo D.12	
106	NV03.006	Cap Kapsto Lpn 615/010	
107	NV04.004	Bucket Sg500/700	
108	NV99.066	Plastic "Y" Connector 3 Way	
109	NV99.072	Hose Clamp D. 11.6/12.3	
110	NV99.085	Hinge Door	
111	NV99.089	Piston Gas For Door	
112	U005.022	Screw Te M6,0x35 Uni 5739 Galv.	
113	U043.001	Screw Tcbc M4,0x10 Uni 7687 Galv.	
114	U043.007	Screw Tcbc M3,0x8 Uni 7687 Galv.	
115	U043.008	Screw Tcbc M5,0x10 Uni 7687 Galv.	
116	U046.003	Screw Tcbd Torx 20 M4x12 Zn-B	
117	U046.005	Screw Te M5,0x10 With Washer	
118	U046.006	Screw Te M6,0x10 With Washer	
119	U109.011	Screw Aut.Tcb 3,9x9,5 Din 7981 C	
120	U110.003	Screw Aut.Tcb 3,5x9,5 Din 7981 F	
121	U110.013	Screw Aut.Tcb 3,9x6,5 Din 7981 F	
122	U127.011	Screw Tapt.Tcb M5,0x8 Din 7500c	
123	U207.001	Plain Washer 5,3x10 Uni 6592 Gal	
124	U208.001	Toothed Washer 4,3x8 Uni 3703 B	
125	U212.002	Washer 6x12x0,5	
126	U310.001	Nut Self Lock.M3 Uni 7473	
127	U310.004	Nut Self Lock.M6 Uni 7473	
128	U324.005	Nut M3 Flanged Indented Base	
129	U701.001	Snap Ring 4 Uni 7434	
130	U701.006	Snap Ring 3,2 Uni 7434	

Rif.	Codice	Denominazione	Versioni
------	--------	---------------	----------

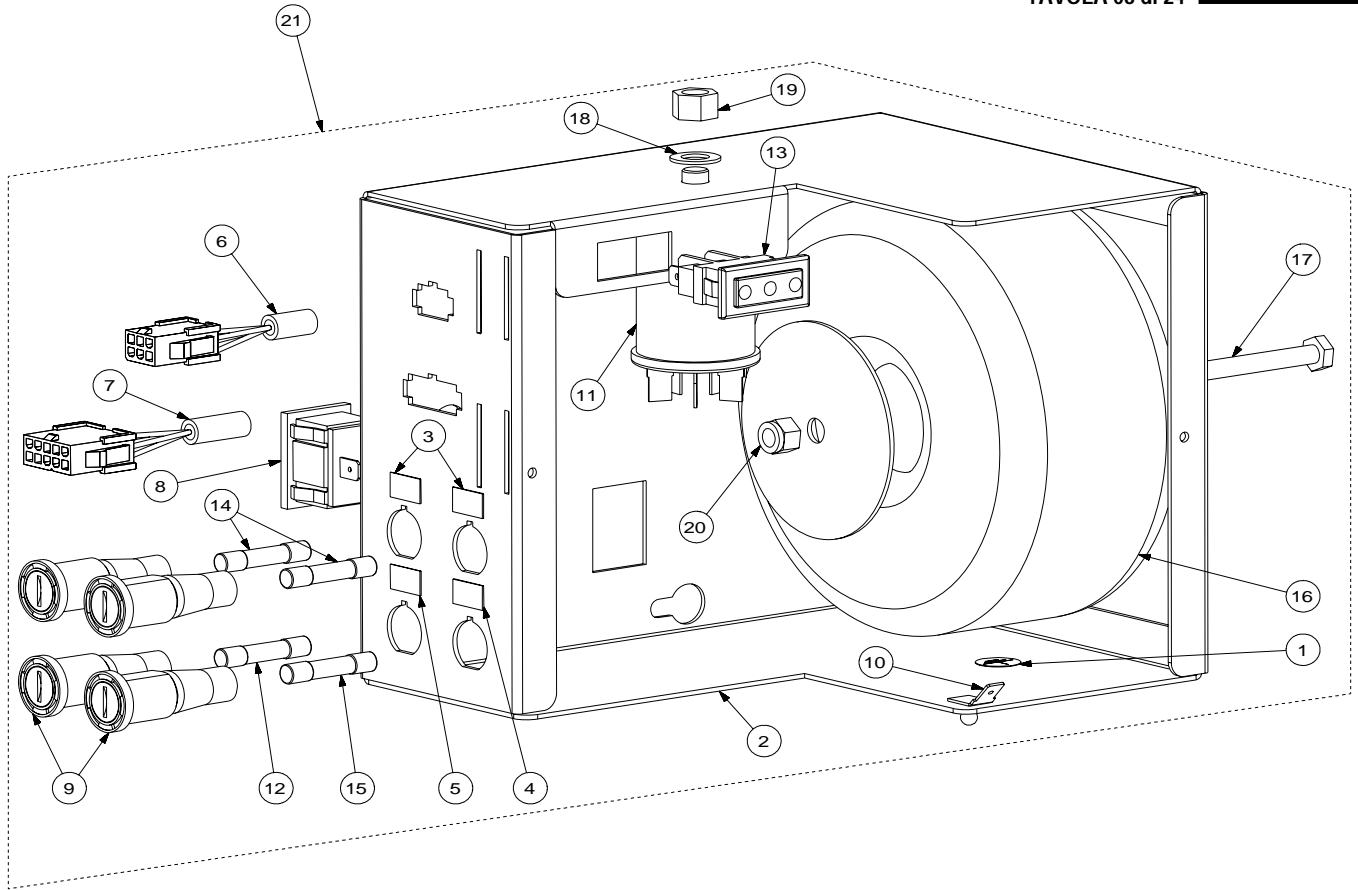


Rif.	Codice	Denominazione	Versioni
1	0894.082	Right Bracket For Cup Distr.	
2	0894.084	Whole Left Bracket For Cup Distr.	D.73;
3	128310404	Washer Uni 8842 A4 Burnished	
4	9111.380	Spring For Stirrer Dispenser	
5	9111.398.00P	Cup Distributor Sg 500 24v	
5	9111.509.00P	Cup Distributor Sg 500 24v D.73	D.73;
6	NF11.015	Expansion Rivet D=2,8x8 Alu.	
7	12000731	Latch 2 Rollers Mod. 244.01.903	
8	U043.028	Screw Tcbc M3,0x10 Uni 7687 Galv.	
9	U109.022	Screw Aut.Tcb 4,2x13 Din 7981 C	
10	U310.001	Nut Self Lock.M3 Uni 7473	
11	0894.A03.00P	Cup Distr. Module Ass. Sg500 N	
11	1858.A05.00P	Cup Distr. Module Ass.Sg500 N D.73	

Rif.	Codice	Denominazione	Versioni
------	--------	---------------	----------

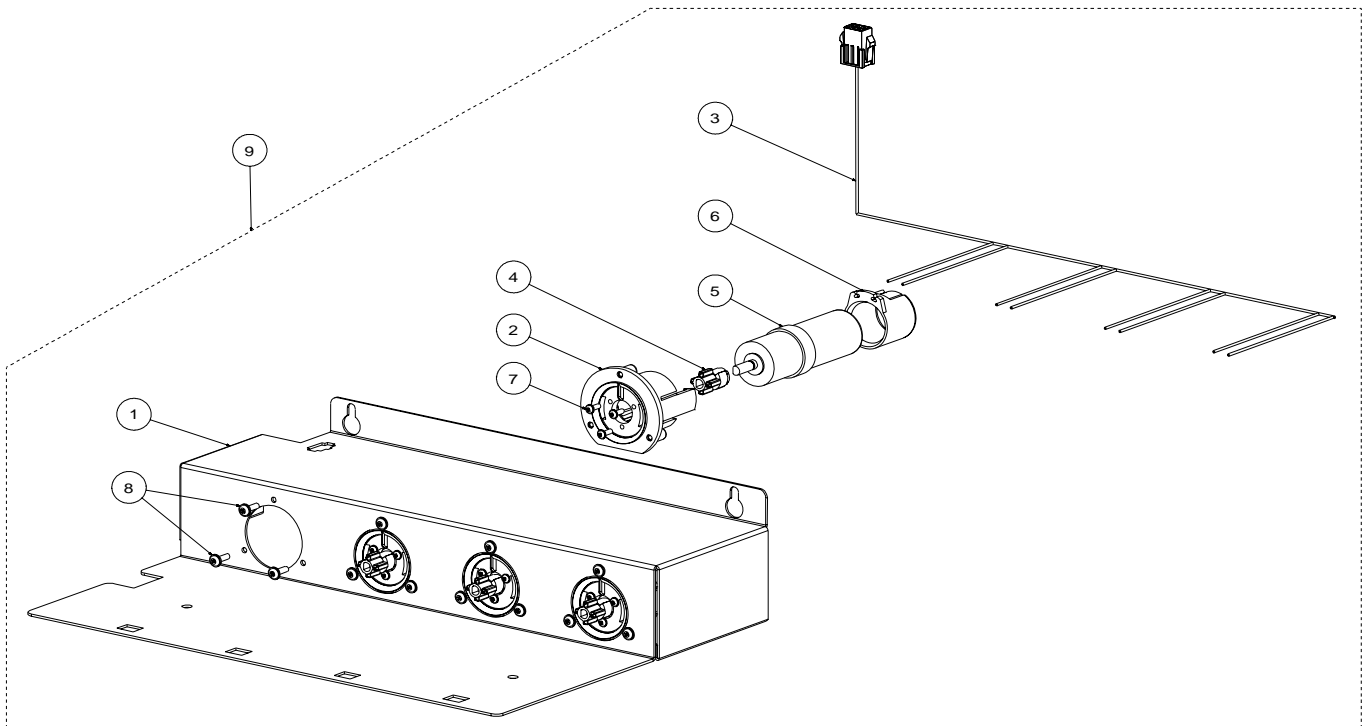


Rif.	Codice	Denominazione	Versioni	Rif.	Codice	Denominazione	Versioni
1	11001737	Coin Recovery Duct Front Plate Beige					
2	11001738	Tile Ass. Coin Recovery					
3	11001792	Coin Introduction Tile					
4	11001791	Fitted Coin Introduction Tile Ass					
5	11001736	Coin Recovery Tile Assembly Beige Met.					
6	9111.350.050	Coin Channel Black					
7	9111.351.050	Coin Channel Lid Black					
8	9111.352.050	Coin Recovery Lever					
9	11001794	Coin Introduction Front Plate Beige					
10	11001795	Coin Recovery Button Red					
11	9111.355	Spring For Change Button					
12	9111.356	Coin Recovery Chute					
13	9111.357.050	Coin Chute Bottom Black					
14	11001837	Porthole Conducted Coins					
15	9111.397	Spring For Tray /Lever Coin Recove					
16	11001733	Coin Introduction Front Plate Red					
17	U005.011	Screw Te M4,0x10 Uni 5739 Galv.					
18	U109.011	Screw Aut.Tcb 3,9x9,5 Din 7981 C					
19	U109.017	Screw Aut.Tcb 2,9x6,5 Din 7981 C					
20	U207.002	Plain Washer 4,3x9 Uni 6592 Gal					
21	U324.006	Nut M4 Flanged Indented Base					
22	U701.003	Snap Ring 7 Uni 7434					



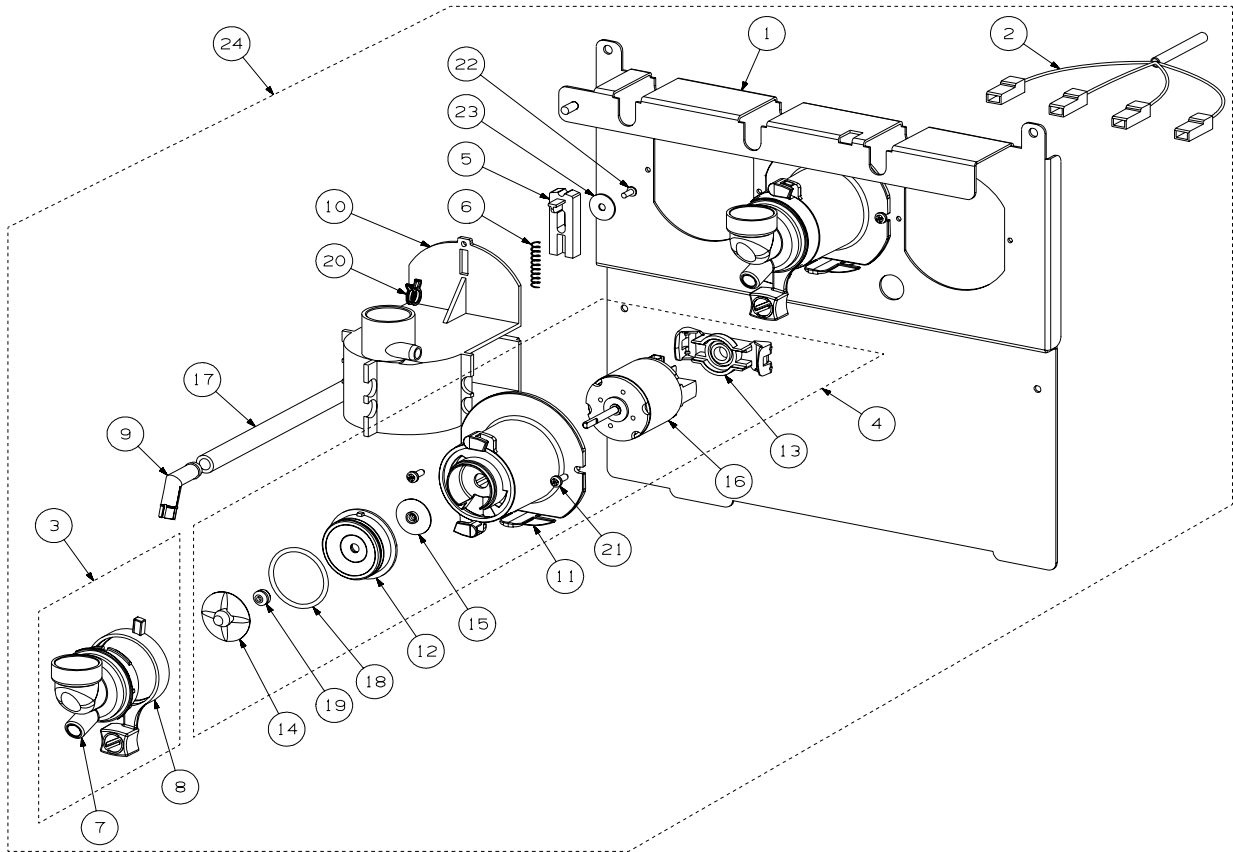
Rif.	Codice	Denominazione	Versioni
1	0301.953	Label Earth Symbol	
2	0894.020	Plate Transformer	
3	0894.176	Data Plate Fuse F 8 A	
4	0894.177	Data Plate Fuse F3,15 A	
5	0894.178	Data Plate Fuse F 4 A	
6	0894.619	Transformer Harness 24v	
7	0894.620	Transformer Harness 230v	
8	NE13.013	Cup Socket En 60320 C 13	
9	NE13.016	Fuse Holder With Screw On Cap	
10	NE13.022	Copper Rivet D.4 With Tongue 6,3	
11	NE13.037	Eichhoff Filter F55.047/209	
12	NE13.043	Fuse 6,3x32 6,3a 250v Delayed	
13	NE13.046	Socket 2 Pole + Earth 08168600w	
14	NE13.082	Fuse F 8a 6.3x32	
15	NE13.083	Fuse F 3a 6.3x32	
16	NE19.016	Toroidal Transformer 230v	
17	U005.013	Screw Te M6,0x70 Uni 5739 Galv.	
18	U208.009	Toothed Washer 8,4x15 Uni 3703	
19	U302.007	Nut Hexagonal M8 Uni 5588	
20	U310.004	Nut Self Lock.M6 Uni 7473	
21	0894.A07.00A	Whole Transformer	

Rif.	Codice	Denominazione	Versioni
------	--------	---------------	----------



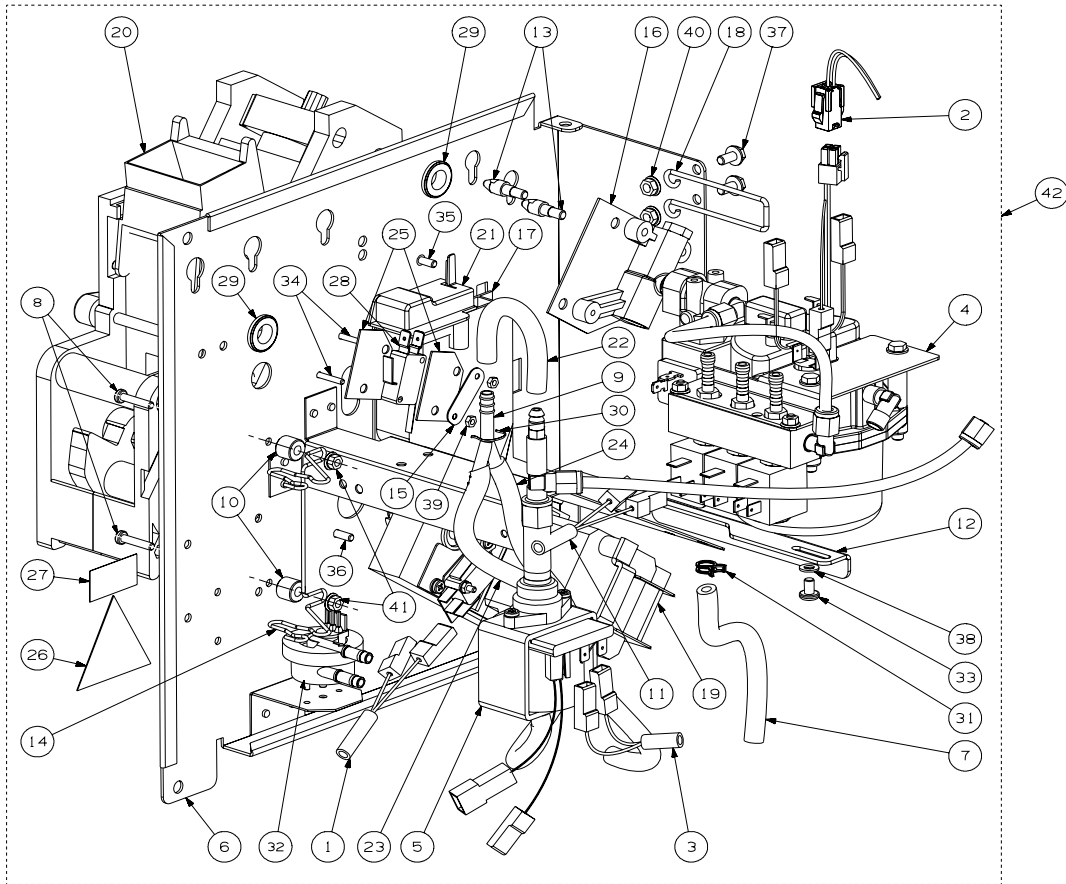
Rif.	Codice	Denominazione	Versioni
1	11001562	Ratiomotor +Boxes Support Sq500	
2	11001574	Flange Fixing Ratiomotor Lip	
3	11001613	Doser Motor Harness Sq 500	
4	9111.131	Coupling For Solubles Motor	
5	9121.106.00P	Sugar Ratiomotor 24v Dc	
6	9121.155	Hood For Ratiomotor	
7	U116.005	Screw Aut.Pl Tcb 3,0x8 Wn 1441	
8	U116.006	Screw Aut.Pl Tcb 3,5x12 Wn 1441	
9	11001609	Assembly Support Ratiomotor And Box	

Rif.	Codice	Denominazione	Versioni

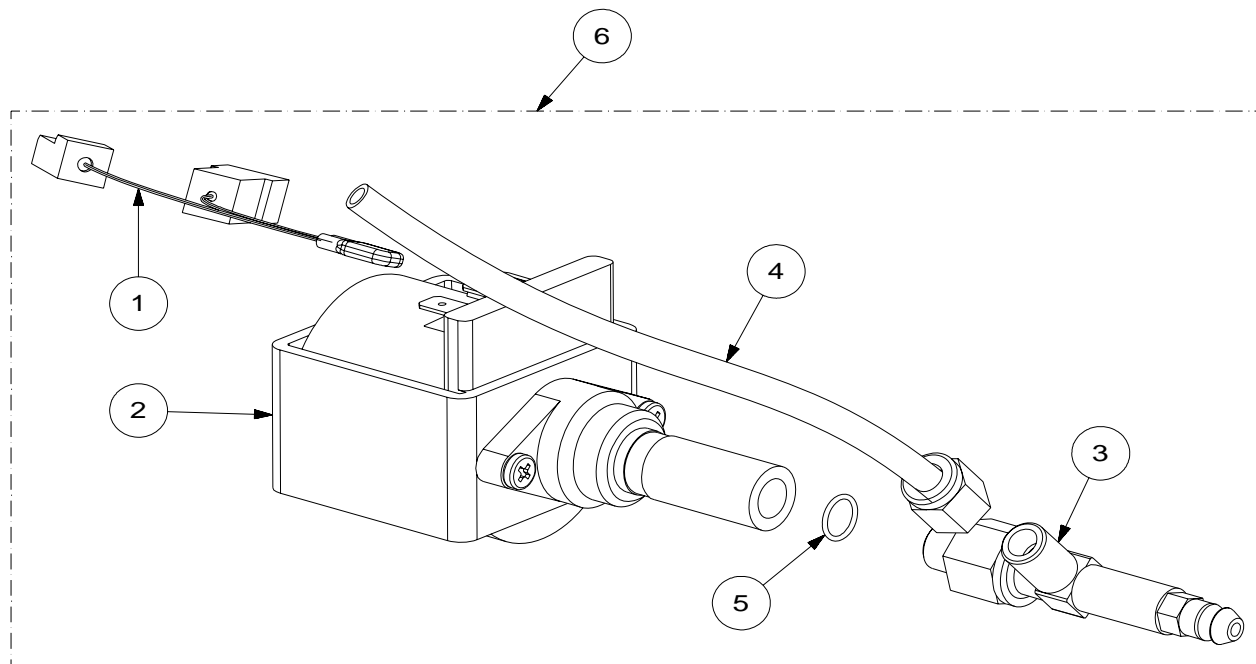


Rif.	Codice	Denominazione	Versioni
1	0894.031	Mixer Support Plate	
2	0894.613	Mixer Harness	
3	9110.027.060	Mix Casing Ass.	
4	9110.160.06P	Ass.Mixer '05 24v Dc	
5	9111.209.060	Cursor For Spiral Mixer Fixing	
6	9111.211	Spring For Mixer Cursor	
7	9111.227.060	Mixer Casing	
8	9111.230.270	Mixer Locking Ring Nut Orange Ral	
9	9111.349	Elbow Dispensing Nozzle	
10	9111.643.060	Rapid Fixing Mixer	
11	9111.769.150	Mixer Flange	
12	9111.770.060	Cover Mixer Flange	
13	9111.771.270	Motor Coupling Orange Ral	
14	9111.772.060	Disk Fan	
15	9111.773.060	Motor Protection Ring	
16	9121.248.00P	Mixer Motor '05 24v Dc	
17	9972.280	Silicone Tube Brown 7x11 L.685 Mm	
18	NM03.012	Or Orm 0320-25 Nbr	
19	NM05.015	V-Ring Mixer '05	
20	NV99.072	Hose Clamp D. 11.6/12.3	
21	U109.003	Screw Aut.Tcb 3,5x9,5 Din 7981 C	
22	U116.005	Screw Aut.Pt Tcb 3,0x8 Wn 1441	
23	U207.004	Plain Washer 4,3x16 Uni 6592 Gal	
24	11001856	Mixer Module Assembly Sq 500 Rev.2006	

Rif.	Codice	Denominazione	Versioni
------	--------	---------------	----------

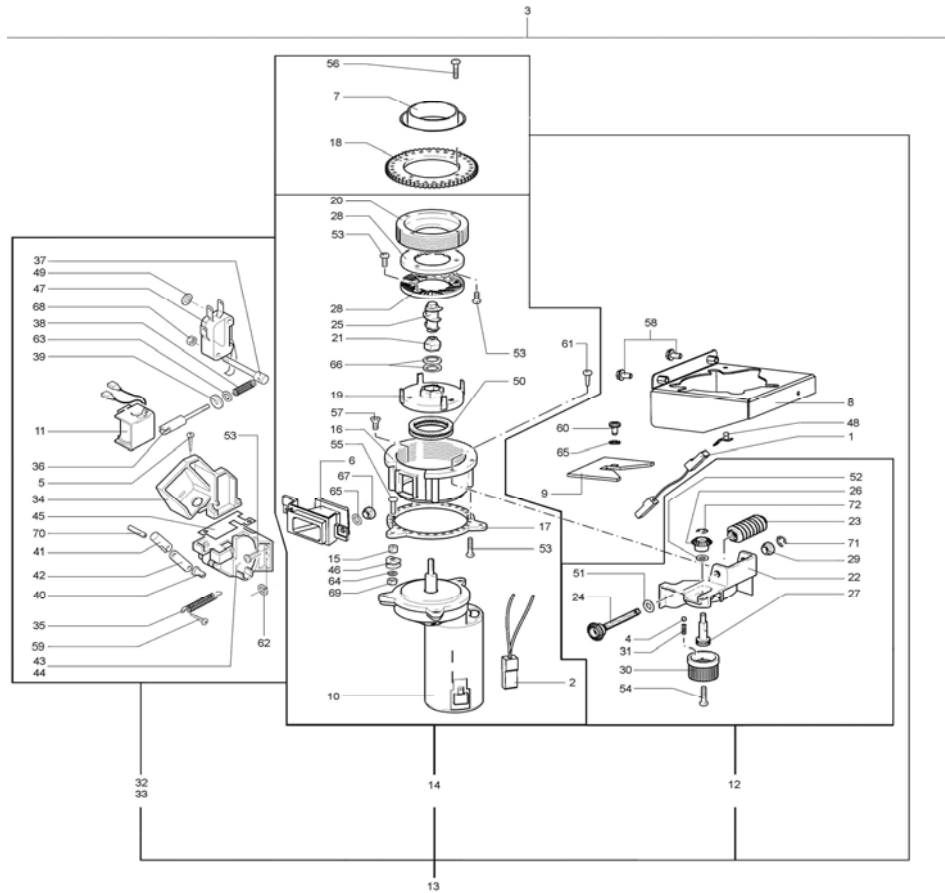


Rif.	Codice	Denominazione	Versioni	Rif.	Codice	Denominazione	Versioni
1	0894.611	Unit Harness Bt					
2	0894.615	Probe Extension					
3	11000045	Harness					
4	11003972	Ass.Boiler Sg500 M6 "T" 230v	Valido fino al 25-10-2008				
4	11010571	Ass.Boiler Sg500 M6 "T" 230v	Valido dal 25-10-2008				
5	11000122	Ass.Pump Ulka Ex5 Sd1 With Valve					
6	11000123	Plate					
7	11000126	Silicon Tube 5x10 L=690 60 Shore					
8	129825002	Tcb Screw M4x20 Uni 7687 Znp					
9	147920800	Y Connector D=8 Art.80.26.048 Ka.466					
10	1813.165.050	Spacer					
11	1822.603	Unit Harness 24v					
12	1883.001	Boiler Support Bracket "T"					
13	9011.005	Peg For Boiler					
14	9111.343	Spring For Motor Pump Fixing					
15	9111.407	Micro Plate					
16	9111.473	Insulator For Boiler Support					
17	9111.528.050	Coffee Discharge Channel					
18	9111.555	Spring Support Tube					
19	9120.002.00A	Ratiomotor Ass. Da 3/5p 230v					
20	9160.078.060	Brown Brew Unit Da 10p 7 Grams					
20	9160.079.150	Brew Unit 9 Grams	9 Gr				
21	9161.262.060	Drip Channel Cover					
22	9972.125	Silicone Tube 5x10 60sr.L=110 Mm					
23	9972.171	Silicone Tube 5x10 60 Shore L.260m					
24	9972.175	Silicone Tube 5x10 60sr L=280 Mm					
25	9991.014	Card For Micro Switches					
26	9991.087	High Voltage Sticker					
27	9991.183	Temperature Warning Sticker					
28	NE05.060	Microswitch Cherry D413 .V3ld					
29	NE16.002	Grommet D.11x20,5xh.7					
30	NF11.002	Rta Clip Art 5203					
31	NV99.077	Tube-Tightening Clamp D=9,8/10,6					
32	NV99.099	Turbine D=1,2 932-8521/00 Assy.					
33	U043.021	Screw Tcbc M5,0x8 Uni 7687 Galv.					
34	U043.023	Screw Tcbc M3,0x18 Uni 7687 Galv.					
35	U044.013	Screw Tspc M4,0x12 Uni 7688 Galv.					
36	U046.003	Screw Tcbd Torx 20 M4x12 Zn-B					
37	U046.005	Screw Te M5,0x10 With Washer					
38	U207.001	Plain Washer 5,3x10 Uni 6592 Gal					
39	U302.002	Nut Hexagonal M3 Uni 5588					
40	U324.003	Nut M5 Flanged Indented Base					
41	U324.006	Nut M4 Flanged Indented Base					
42	11001713	Coffee Module Assembly Sg 500 Rev.2006					
42	11003143	Coffee Module Ass.Sg 500 9gr 230v R.2006	9 Gr				



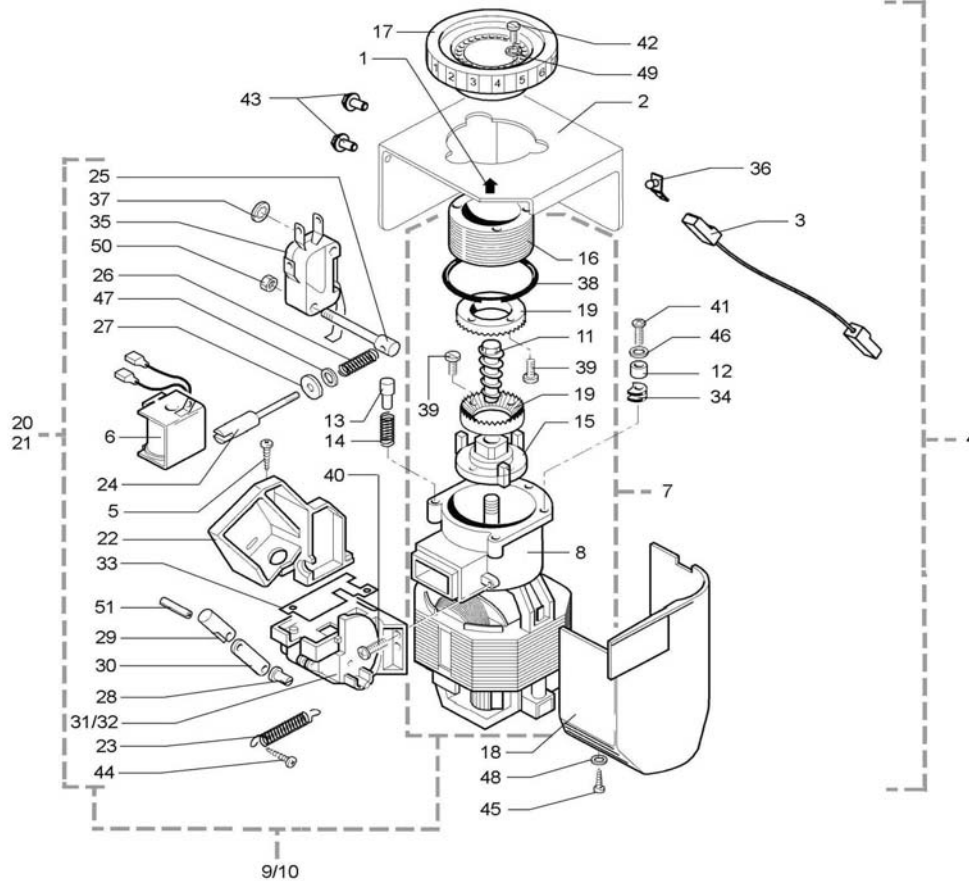
Rif.	Codice	Denominazione	Versioni
1	289200100	Thermal. Protect.120°C Cabl.121/121	valida fino al 12.06.06
1	0862.668	Thermal Protector 100 +Faston	valida dal 12.06.06
2	9070.042.00A	Ulka Pump Ex5 Sd1	
3	9079.A28	Safety Valve/Non Return Ass.	
4	9979.A22	Teflon Tube Ass. 4x6 L.275 1/8"	
5	140321961	Or 2031 In Termoil	
6	11000122	Ass.Pump Ulka Ex5 Sd1 With Valve	

Rif.	Codice	Denominazione	Versioni



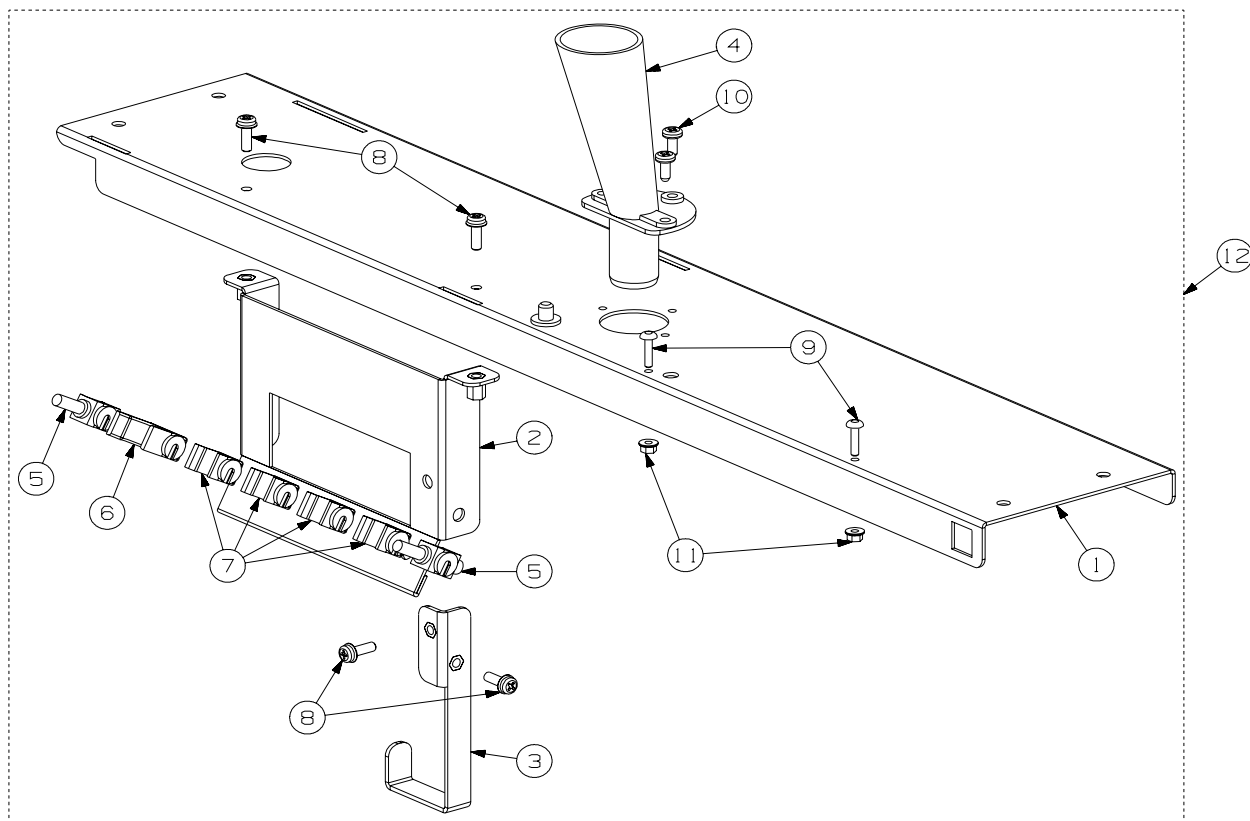
Rif.	Codice	Denominazione	Versioni
1	0894.617	Connection Earth	
2	1825.602	Filter Harness Plus	
3	0894.A17.00A	Wh.Coff.Grind.+Batch.And Regul Plus	
4	128610421	Stail.Stell Aisi 304 Sphere D=3,2mm	
5	129511903	Screw Tcb 2,9x6,4 Din 7981 Bz Nick	
6	9111.483.060	Conduit Grinder Plus	
7	9111.491.050	Funnel Coffee Grinder Plus	
8	9111.493	Ass.Coffee Grinder Support Modular	
9	9111.518	Grinder Winding Cover Plus	
10	9121.093.00A	Ratiomotor Coffee Grind 230-240v	
11	9129.A01.00P	Coffee Doser Coil Ass.24v 50/60hz	
12	9140.020	Modular Grinder Adjust.Ass.	
13	9140.026.00A	Wh.Coff.Grind.+Batch.And Regul Plus	
14	9140.027.00A	Wh. Coffee Grinder Plus 230v	
15	9141.003	Spacer For Rubber	
16	9141.053	Cap	
17	9141.054.050	Black Flange	
18	9141.055.050	Toothed Wheel Z.62 Black	
19	9141.056	Fan	
20	9141.057	Adjustment Ring Nut	
21	9141.058	Lock Nut	
22	9141.062.050	Adjustment Support Black	
23	9141.063.050	Worm Screw Black	
24	9141.064.050	Rod Black	
25	9141.065	Worm Screw	
26	9141.069.050	Conical Gear Z.20 Black	
27	9141.070	Adjustment Pin	
28	9141.072	Grinder D.64	
29	9141.073	Bush For Adjustment	
30	9141.074.050	S/Screened Adjustment Knob	
31	9141.077	Spring For Sphere D.3.2 Modular	
32	9160.001.06P	Coffee Doser Ass.Da 7p 24v	
33	9160.025.06P	Coffee Doser Ass.Da 7p 9 Gr. 24v	
34	9161.001.060	Doser Support Brown	
35	9161.005	Spring For Dispenser Door	
36	9161.006	Pin For Regulation Micro	
37	9161.007	Pin For Fixing Micro	
38	9161.008	Spring For Regulation Pin	
39	9161.009	Space For Regulation Pin	
40	9161.010.060	Pin Brown	
41	9161.011	Piston For Magnet	
42	9161.012.060	Connecting Rod Brown	
43	9161.131.060	Modified Doser Casing Brown	
44	9161.219.150	Doser Casing 9 Gr. Grey Modified	
45	9161.361	Mylar Guard For Microbatcher	
46	9991.005	Rubber For Coffee Grinder	
47	NE05.058	Doser Micro N.V.	

Rif.	Codice	Denominazione	Versioni
48	NE13.022	Copper Rivet D.4 With Tongue 6,3	
49	NF13.001	Ring For Pins D.3	
50	NM07.001	Axial Bearing Ekko Compact	
51	NV99.047	Shimming Washer 7x13x0,5	
52	NV99.048	Shimming Washer 8x14x0,5	
53	U043.001	Screw Tcbc M4,0x10 Uni 7687 Galv.	
54	U043.003	Screw Tcbc M4,0x8 Uni 7687 Galv.	
55	U043.005	Screw Tcbc M4,0x20 Uni 7687 Galv.	
56	U043.017	Screw Tcb Torx 10 M3x12 Zn-B	
57	U044.002	Screw Tspc M4,0x10 Uni 7688 Galv.	
58	U046.005	Screw Te M5,0x10 With Washer	
59	U109.006	Screw Aut.Tcb 2,2x9,5 Din 7981 C	
60	U127.005	Screw Tapt.Tcb M4,0x8 Din 7500c	
61	U143.003	Panelvit Tcb 3,5x16 Testa D.8 Galv	
62	U203.001	Plain Washer 4,3x8 Uni 1749 Gal	
63	U207.003	Plain Washer 3,2x7 Uni 6592 Gal	
64	U207.004	Plain Washer 4,3x16 Uni 6592 Gal	
65	U208.001	Toothed Washer 4,3x8 Uni 3703 B	
66	U221.002	Cup Spring 15x8,2x0,7 Bn 806	
67	U302.003	Nut Hexagonal M4 Uni 5588	
68	U310.001	Nut Self Lock.M3 Uni 7473	
69	U310.002	Nut Self Lock.M4 Uni 7473 Znc White	
70	U406.001	Elastic Pin 3,0x8 Uni 6873	
71	U701.001	Snap Ring 4 Uni 7434	
72	U701.006	Snap Ring 3,2 Uni 7434	

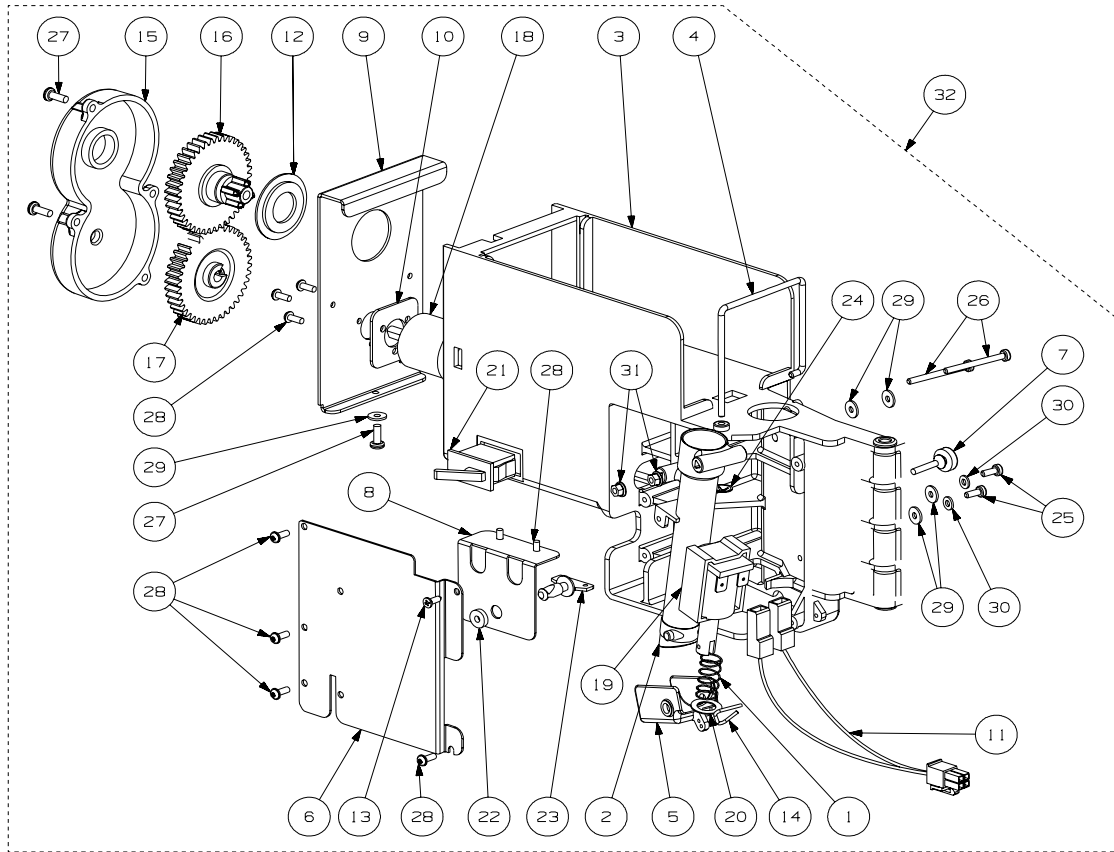


Rif.	Codice	Denominazione	Versioni
1	0701.954	Adhesive Arrow	
2	0894.066	Coffeegrinder Support Shelf	
3	0894.617	Connection Earth	
4	0894.A18.00A	Wh.Coff.Grind.+Batch.And Regul Plus	
5	129511903	Screw Tcb 2,9x6,4 Din 7981 Bz Nick	
6	9129.A01.00P	Coffee Doser Coil Ass.24v 50/60hz	
7	9140.001.00A	Coffegrinder Motor Ass.220/230v	
8	9140.002.00A	Motor Ass.With Cap 230v	
9	9140.017.06A	Coff.Grind-Dos. Ass.Da 10p 7gr. 220	
10	9140.018.06A	Coff.Grind-Dos. Ass.Da 10p 9gr. 220	
11	9141.001	Brass Ncrement Screw Mc	
12	9141.003	Spacer For Rubber	
13	9141.005	Knob Pin	
14	9141.006	Spring For Knob Pin	
15	9141.007	Fan	
16	9141.008	Knob Adjustment Screw	
17	9141.013.060	S/Screened Knob Brown	
18	9141.014.060	Motor Protection Casing Brown	
19	9141.081	Flat Mill D.43 Titanium	
20	9160.001.06P	Coffee Doser Ass.Da 7p 24v	
21	9160.025.06P	Coffee Doser Ass.Da 7p 9 Gr. 24v	
22	9161.001.060	Doser Support Brown	
23	9161.005	Spring For Dispenser Door	
24	9161.006	Pin For Regulation Micro	
25	9161.007	Pin For Fixing Micro	
26	9161.008	Spring For Regulation Pin	
27	9161.009	Space For Regulation Pin	
28	9161.010.060	Pin Brown	
29	9161.011	Piston For Magnet	
30	9161.012.060	Connecting Rod Brown	
31	9161.131.060	Modified Doser Casing Brown	
32	9161.219.150	Doser Casing 9 Gr. Grey Modified	
33	9161.361	Mylar Guard For Microbatcher	
34	9991.005	Rubber For Coffee Grinder	
35	NE05.058	Doser Micro N.V.	
36	NE13.022	Copper Rivet D.4 With Tongue 6,3	
37	NF13.001	Ring For Pins D.3	
38	NM03.003	Or 3187 Nbr	
39	U034.002	Screw Tci M3,0x8 Uni 6107 Galv.	
40	U043.001	Screw Tcbc M4,0x10 Uni 7687 Galv.	
41	U043.004	Zn-B Tcb Screw M4x16	
42	U043.007	Screw Tcbc M3,0x8 Uni 7687 Galv.	
43	U046.005	Screw Te M5,0x10 With Washer	
44	U109.006	Screw Aut.Tcb 2,2x9,5 Din 7981 C	
45	U109.016	Screw Aut.Tcb 3,9x13 Din 7981 C	
46	U207.002	Plain Washer 4,3x9 Uni 6592 Gal	
47	U207.003	Plain Washer 3,2x7 Uni 6592 Gal	

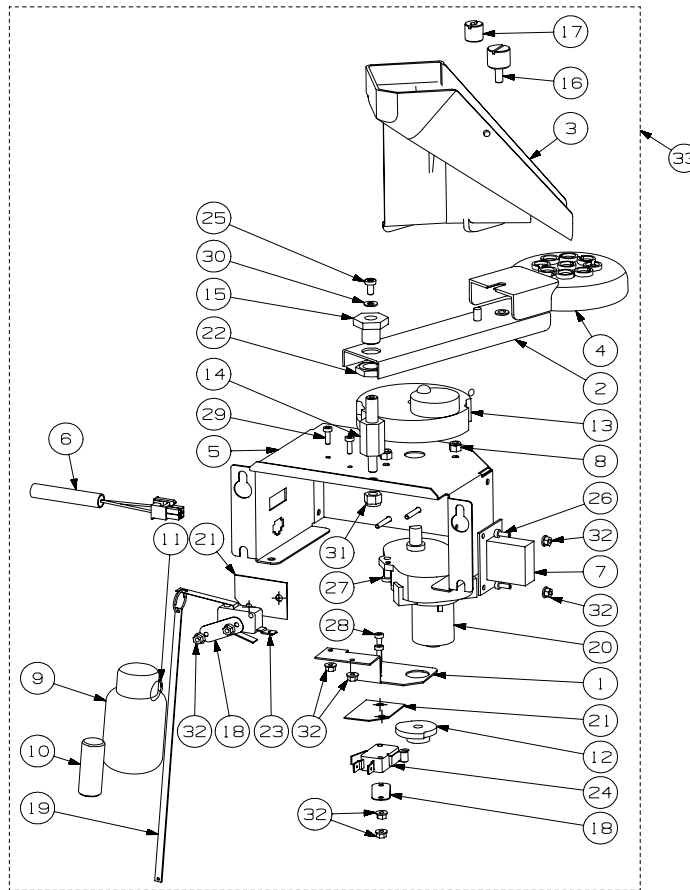
Rif.	Codice	Denominazione	Versioni
48	U208.001	Toothed Washer 4,3x8 Uni 3703 B	
49	U208.002	Toothed Washer 3,3x5,8 Uni 3703 G	
50	U310.001	Nut Self Lock.M3 Uni 7473	
51	U406.001	Elastic Pin 3,0x8 Uni 6873	



Rif.	Codice	Denominazione	Versioni	Rif.	Codice	Denominazione	Versioni
1	0894.019	Lower Cross Beam Ass.					
2	0894.043	Tubes Support Unloaded					
3	0894.162	Ass.Brace					
4	9111.527.050	Tube Conveyor Coffee Discharge					
5	NF11.091	Rivet Pin					
6	NF11.092	Hands Tube D.16					
7	NF11.093	Hands Tube D.10					
8	U046.003	Screw Tcbd Torx 20 M4x12 Zn-B					
9	U047.005	Screw Tt M3x14					
10	U109.011	Screw Aut.Tcb 3,9x9,5 Din 7981 C					
11	U324.005	Nut M3 Flanged Indented Base					
12	0894.A05	Ass.Lower Cross Beam					

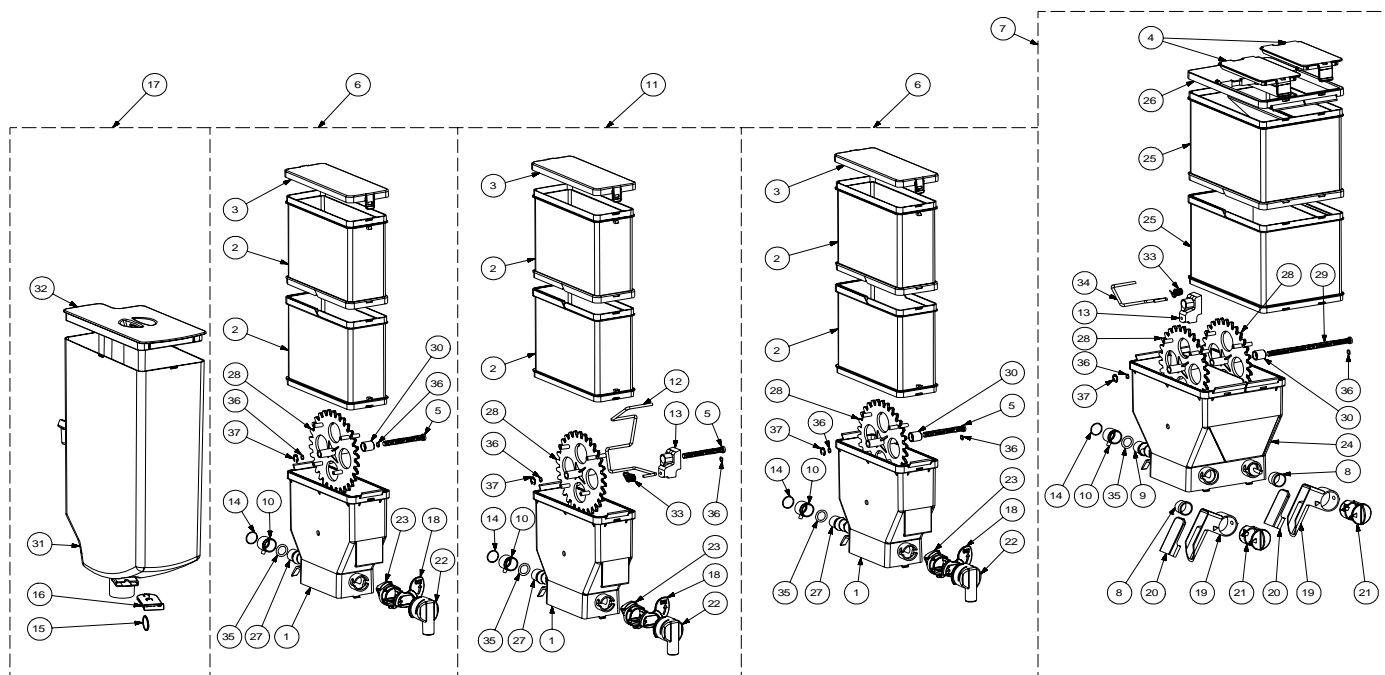


Rif.	Codice	Denominazione	Versioni	Rif.	Codice	Denominazione	Versioni
1	0870.069	Electromagnet Spring Sugar					
2	0871.212.050	Sugar Duct					
3	0894.158.050	Distributor Sugar Support Shelf					
4	0894.159	Auction Block Box Sugar					
5	0894.160.050	Sugar Slide					
6	0894.168	Cover Sugar Shelf					
7	0894.183	Rubber Buffer					
8	11000458	Support Plate					
9	11001569	Support Motor Lip Sugar					
10	11001570	Spacer Motor Lip Sugar					
11	11001614	Harness Sugar					
12	11001660	Protection Bush					
13	129532521	Screw Tsp2,9x9,5 Din 7982 Ss					
14	9111.328	Spring For Sugar Duct Door					
15	9111.687.A20	Gear Cover					
16	9111.694	Joint With Gear					
17	9111.695	Gear Z40					
18	9121.106.00P	Sugar Ratiomotor 24v Dc					
19	9121.136.00P	Elettromagnete "Rele" Ed 15% 24v Dc					
20	9991.179	Washer For El.Magnet Spring Sugar					
21	NE05.063	Microswitch + Lever					
22	NF11.019	Rubber Ring For Rapid Coupling					
23	NF11.106	Pin Rapid Coupling					
24	NF13.006	Ring For Pin D.3 Quiclock Zinc					
25	U043.007	Screw Tcbc M3,0x8 Uni 7687 Galv.					
26	U043.036	Screw Tcbc M3,0x35 Uni 7687 Galv.					
27	U110.003	Screw Aut.Tcb 3,5x9,5 Din 7981 F					
28	U116.005	Screw Aut.Pt Tcb 3,0x8 Wn 1441					
29	U201.001	Plain Washer 3,2x9 Din 7349 Gal					
30	U208.002	Toothed Washer 3,3x5,8 Uni 3703 G					
31	U324.005	Nut M3 Flanged Indented Base					
32	11001642	Assembly Sugar Shelf					



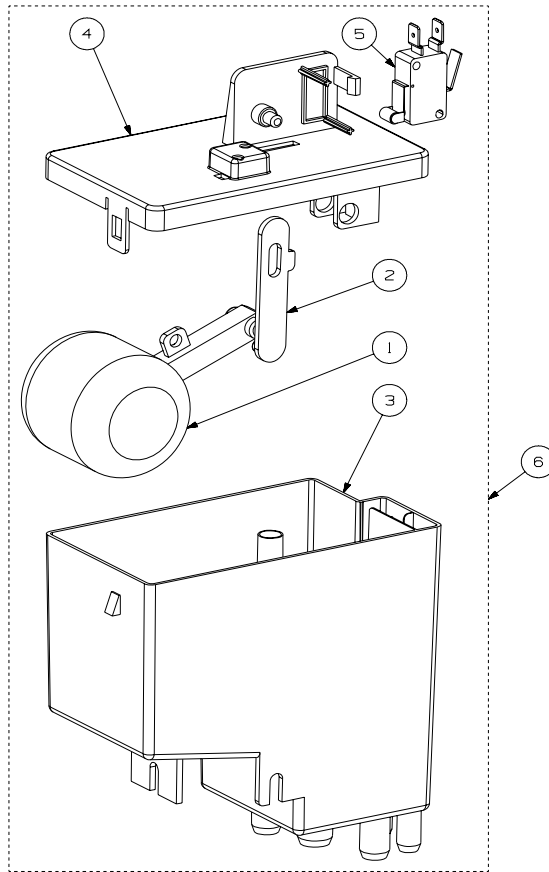
Rif.	Codice	Denominazione	Versioni
1	0870.063	Micro Support Bracket	
2	0870.064	Nozzle Arm	
3	0870.065.050	Sugar Slide Black	
4	0870.066.050	Nozzle Support Flange Black	
5	0894.155	Ass.Motor Suppor	
6	0894.622	Harness	
7	0894.638	Brake Harness	
8	123453102	Self Lock Nut M4 Din 982 High Galv.	
9	9111.130	Float For Discharge Level	
10	9111.147	Counterweight For Float	
11	9111.148	Elastic Ring For Float	
12	9111.323	Sugar Slide Cam	
13	9111.324.050	Entrainment Cam	
14	9111.325	Nozzle Support Pin	
15	9111.326	Nozzle Support Pin Bush	
16	9111.330	Knurled Male Hand Bolt M5	
17	9111.331	Knurled Female Hand Bolt M5	
18	9111.407	Micro Plate	
19	9111.413	Chain For Discharge Level L=210	
20	9121.132.00P	Motoreducer Fiber 24v	
21	9991.014	Card For Micro Switches	
22	9991.178	Nut For Bush	
23	NE05.041	Microswitch	
24	NE05.052	Microswitch + Wheel	
25	129823802	Tcb Screw M4x8 Uni 7687 Znp	
26	U043.007	Screw Tcbc M3,0x8 Uni 7687 Galv.	
27	U043.011	Screw Tcbc M4,0x12 Uni 7687 Galv.	
28	U043.023	Screw Tcbc M3,0x18 Uni 7687 Galv.	
29	U043.028	Screw Tcbc M3,0x10 Uni 7687 Galv.	
30	U207.002	Plain Washer 4,3x9 Uni 6592 Gal	
31	U310.004	Nut Self Lock.M6 Uni 7473	
32	U324.005	Nut M3 Flanged Indented Base	
33	0894.A09.00P	Assembled Nozzles Arm And Sugar 24v	

Rif.	Codice	Denominazione	Versioni
------	--------	---------------	----------



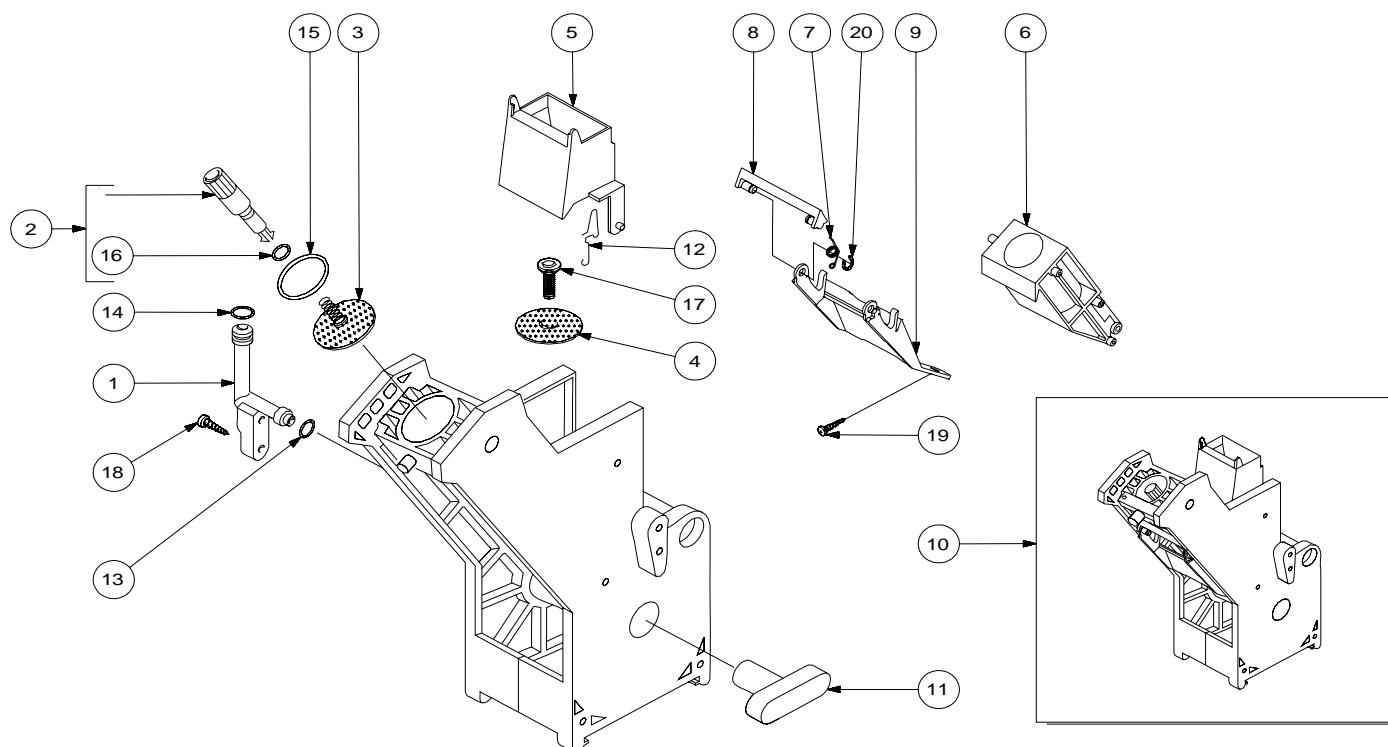
Rif.	Codice	Denominazione	Versioni
1	11001576	Base Container Single Soluble	
2	11001577	Extension Container Single Soluble	
3	11001578	Cover Container Single Soluble	
4	11001579	Cover Container Double Soluble	
5	11001580	Pin Wheel Container Single Soluble	
6	11001645	Assembly Single Container	
7	11001651	Assembly Double Container With Agitator	
8	11001654	Bush Container	
9	11001658	Scroll Screw	
10	11005457	Rear Bush New	Valido dal 09-01-2007
11	11006123	Assemble Single Container With Agitator	
12	11006124	Wire Agitator Unified	
13	11007155	Agitator Support	
14	140328461	Epdm Or Metric 0190-10	Valido dal 09-01-2007
15	1431.003	Keyholder Ring	Valido dal 27-07-2008
16	1813.027.A20	Shutter For Coffee Container	
17	9110.139	Coffee Cont. Ass.	
18	9111.338.270	Bulkhead For Apert. Closure Orange	
19	9111.425.060	Powder Duct	
20	9111.428.060	Plug For Left-Right Duct	
21	9111.457.060	Bush For Left/Right Duct Cosmec	
22	9111.629.060	Aperture For Solubles Hopper	
23	9111.630.060	Bush For Powders Tank	
24	9111.680	Base Container Double Soluble	
25	9111.681	Double Extension 145	
26	9111.682	Cover Container Double Soluble	
27	9111.701	Scroll Screw Double Container	
28	9111.702	Wheel Double Container	
29	9111.703	Double Pin For Wheel	
30	9111.704	Bush For Wheel	
31	9111.724	Container For Coffee Bean	
32	9111.728	Cover For Coffee Container	
33	9111.731	Spring	
34	9111.736	Wire Agitator	
35	NM03.013	Or 2,3x15 Nbr	
36	NM03.022	Or Orm 0060-10 Nbr	
37	U701.003	Snap Ring 7 Uni 7434	

Rif.	Codice	Denominazione	Versioni
------	--------	---------------	----------



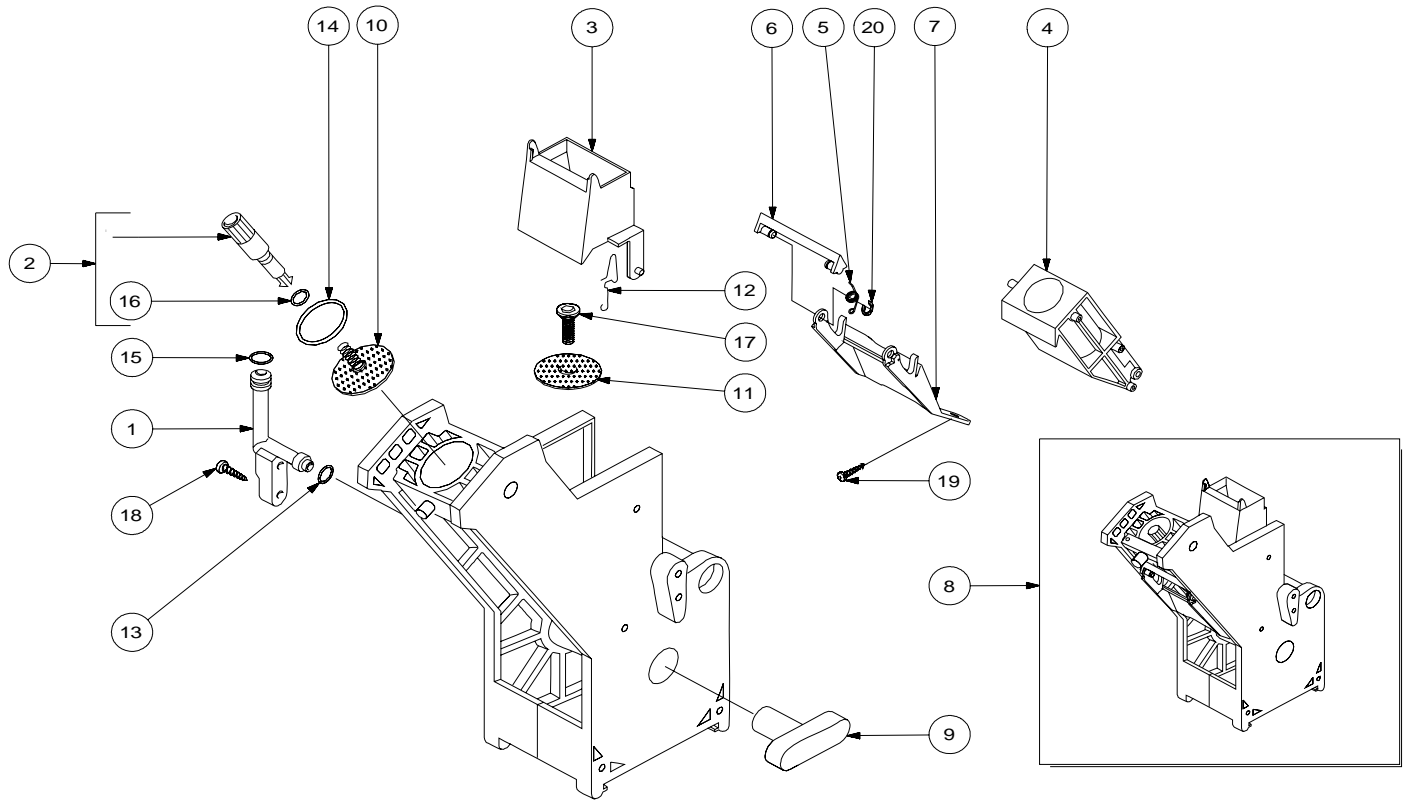
Rif.	Codice	Denominazione	Versioni
1	9111.508	Float For Air Break Bowl	
2	9111.512	Lever For Water Tank	
3	9111.622	Tank Air Break	
4	9111.623	Lid Tank Air Break	
5	NE05.062	Microswitch + Wheel	
6	9110.102	Water Tank Ass. Air-Break Sg New	

Rif.	Codice	Denominazione	Versioni



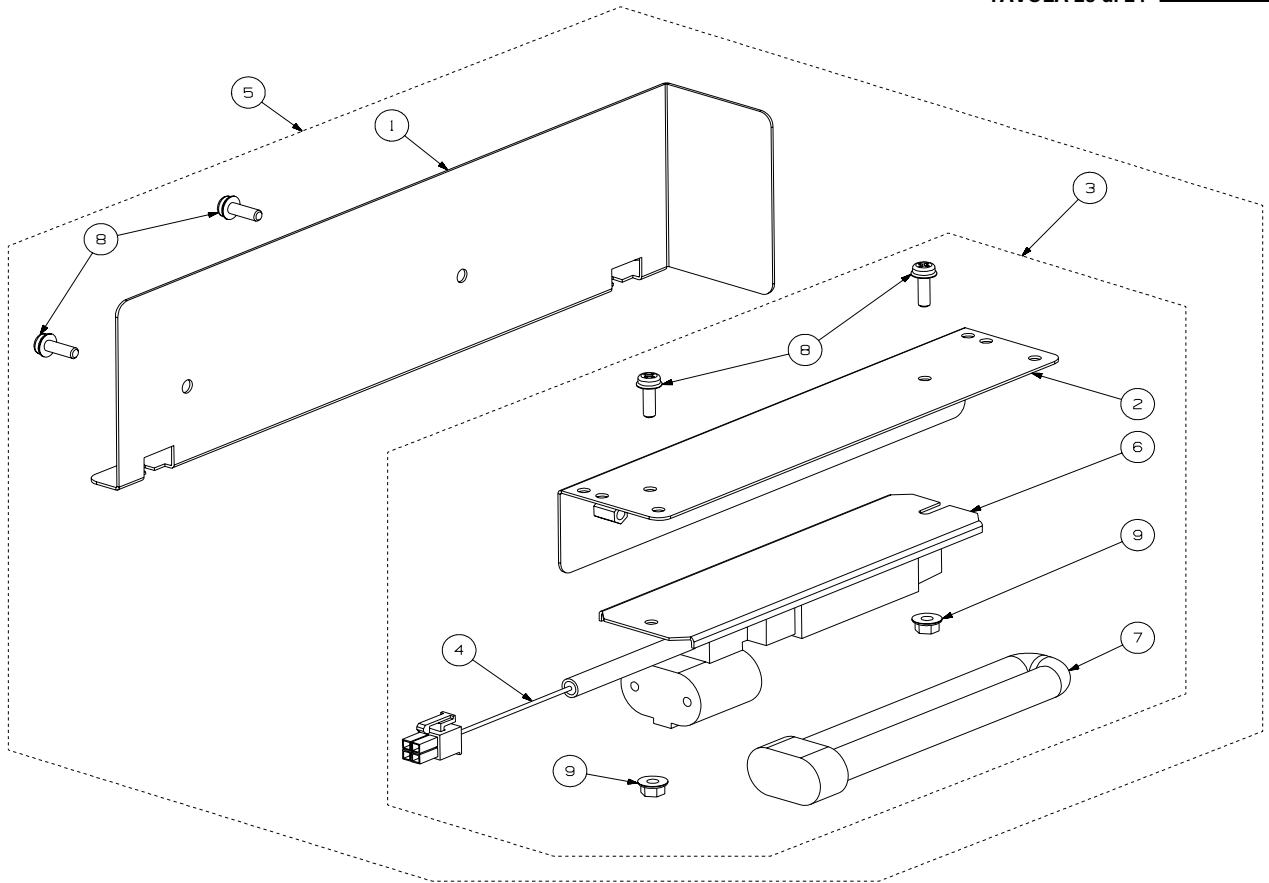
Rif.	Codice	Denominazione	Versioni
1	0701.R04.060	Brown Connector	
2	9169.A14.060	Pin For Percolator Brown	
3	0701.R07	Upper Percolator	
4	0701.R08	Lower Percolator	
5	0701.R09.060	Brown Hopper	
6	0701.R13	Coffee Container Ass. Brown Unit	
7	9111.520	Spring For Scraper Section 0.6	
8	9111.537.060	Brown Scraper Coffee Group	
9	9111.539.060	Fork For Scraper	
10	9160.078.060	Brown Brew Unit Da 10p 7 Grams	
11	9161.021.060	Key For Brew Unit Brown	
12	9161.425	Spring For Scraper	
13	NM01.003	Or 2018 Silicone	
14	NM02.004	Or Orm 0080-20 Termoil	
15	NM02.005	Or 4112 Termoil	
16	NM02.006	Or R5 Termoil	
17	129851921	Tsp Screw M3x6 Uni 7688 Ss	
18	U109.014	Screw Aut.Tcb 2,9x16 Din 7981 C	
19	U110.013	Screw Aut.Tcb 3,9x6,5 Din 7981 F	
20	U701.006	Snap Ring 3,2 Uni 7434	

Rif.	Codice	Denominazione	Versioni
------	--------	---------------	----------



Rif.	Codice	Denominazione	Versioni
1	0701.R04.150	Grey Connector	
2	9169.A14.150	Pin Fop Percolator Grey	
3	0701.R09.150	Grey Hopper	
4	1014.R06.150	Coffee Cont. Grey 9 Gr	
5	9111.520	Spring For Scraper Section 0.6	
6	9111.537.150	Grey Scraper Coffee Group	
7	9111.539.150	Fork For Scraper	
8	9160.079.150	Brew Unit 9 Grams	
9	9161.021.060	Key For Brew Unit Brown	
10	9161.036	Upper Percolator For Unit	
11	9161.037	Lower Percolator For Unit	
12	9161.425	Spring For Scraper	
13	NM01.003	Or 2018 Silicone	
14	NM01.044	Or Orm 0320-40 In Silicone Ptf/Fda	
15	NM02.004	Or Orm 0080-20 Termoil	
16	NM02.006	Or R5 Termoil	
17	129851921	Tsp Screw M3x6 Uni 7688 Ss	
18	U109.014	Screw Aut.Tcb 2,9x16 Din 7981 C	
19	U110.013	Screw Aut.Tcb 3,9x6,5 Din 7981 F	
20	U701.006	Snap Ring 3,2 Uni 7434	

Rif.	Codice	Denominazione	Versioni



Rif.	Codice	Denominazione	Versioni
1	0894.096	Lamp Cover	
2	0894.141	Lamp Support	
3	0894.A14.00A	Sugar Slide Ass.	
4	1812.612	Lamp Harness Push Button Panel	
5	1812.A12.00A	Sugar Slide Ass.	
6	NE06.009	Lamp Holder	
7	NE06.010	Lamp F9bx/827 G23 9w 230v	
8	U046.003	Screw Tcbd Torx 20 M4x12 Zn-B	
9	U324.006	Nut M4 Flanged Indented Base	

Rif.	Codice	Denominazione	Versioni
------	--------	---------------	----------

