

Iperautomatica

230V - 50Hz
230/240V - 50Hz
220/230V - 60Hz
220V - 60Hz

IT	Italiano
EN	English
FR	Français
DE	Deutsch
ES	Español



(IT)

SOMMARIO

Tav. 01	Carrozeria	Carrosserie	Aufbau	Carrocería
Tav. 02	Contentitori	Containers	Réipients	Contenedores
Tav. 03	Porta	Door	Porte	Puerta
Tav. 04	Impianto idraulico	Hydraulic system	Installation hydraulique	Instalación hidráulica
Tav. 05	Contentitore solubili	Powder container	Réipient solubles	Contenedores solubles
Tav. 06	Gruppo caldaia, macinacaffè e motori	Heater, coffee grinder and motor group	Groupe chaudière, moulin à café et moteurs	Grupo caldera, molinillo café y motores
Tav. 07	Non presente	Not present	Non présent	No presente
Tav. 09	Componenti elettrici	Electrical parts	Composants électriques	Componentes eléctricos
Tav. 10	Gruppo caffè 7 grammi	7-gram coffee group	Groupe café 7 grammes	Grupo café 7 gramos
Tav. 11	Gruppo caffè 9 grammi	9-gram coffee group	Groupe café 9 grammes	Grupo café 9 gramos

(FR)

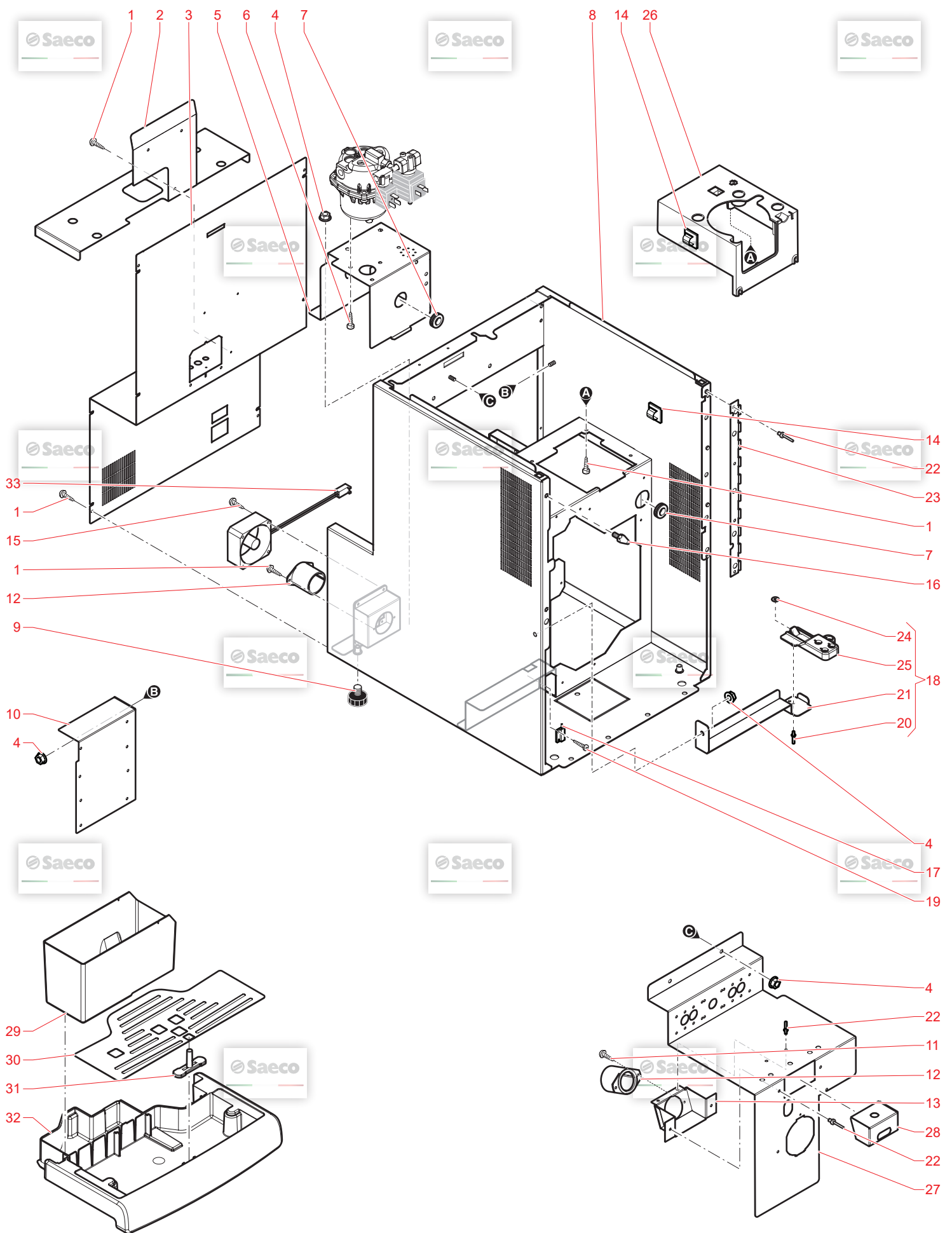
INDEX

(DE)

VERZEICHNIS

(ES)

INDICE



N.POSI	COD	I - DESCRIZIONE	UK - DESCRIPTION	F - DESCRIPTION	D - BEZEICHNUNG	E - DESCRIPCION
1	U110.004	VITE AUT.TCB 3.5X6.5 DIN 7981 F	screw AUT.TCB 3.5X6.5 DIN 7981 F	VIS AUT.TCB 3.5X6.5 DIN 7981 F	Schraube 3,5X6,5 DIN7981F	VITE AUT.TCB 3.5X6.5 DIN 7981 F
2	11034145	AGGANCIAMENTO CONTENITORE ACQUA JEEG	WATER CONTAINER COUPLER JEEG BLK	WATER CONTAINER COUPLER JEEG BLK	WATER CONTAINER COUPLER JEEG BLK	AGGANCIAMENTO CONTENITORE ACQUA JEEG
3	11034139	ASS.PANNELLO POSTERIORE JEEG BLK	REAR PANEL JEEG BLK	REAR PANEL JEEG BLK	REAR PANEL JEEG BLK	ASS.PANNELLO POSTERIORE JEEG BLK
4	U324.003	DADO M5 FLANGIATO BASE DENTELLAT	NUT M5 FLANGED INDENTED BASE	SUPPORT BOILER PUMP FLOWMETER JE	Mutter M5 mit Flansch	DADO M5 FLANGIATO BASE DENTELLAT
5	11034155	SUPPORTO CALDAIA POMPA TURBINA J	SUPPORT BOILER PUMP FLOWMETER JE	SUPPORT BOILER PUMP FLOWMETER JE	SUPPORT BOILER PUMP FLOWMETER JE	SUPPORTO CALDAIA POMPA TURBINA J
6	U043.015	VITE TCBC M5,0X12 UNI 7687 ZNP	screw TCBC M5,0X12 UNI 7687 GALV	VIS TOBC M5,0X12 UNI 7687 GALV.	Schraube M5x12 DIN 7985 verz.	VITE TCBC M5,0X12 UNI 7687 ZNP
7	NE16.009	PASSACAVO NOSTRUM 10476.1.2	GROMMET NOSTRUM 10476.1.2	PASSE CABLE 10476.1.2	Kabelführung 10476.1.2	GROMMET NOSTRUM 10476.1.2
8	11034258	ASS.TELAIO JEEG BLK	LOOM JEEG BLK	LOOM JEEG BLK	LOOM JEEG BLK	ASS.TELAIO JEEG BLK
9	NV01.015	PIEDINO D.22 H.18 M6	FOOT D.22 H.18 M6	PIED D.22 H.18 M6	Gerätefuß SG200	PIEDINO D.22 H.18 M6
10	11034153	SUPPORTO SCHEDA PWR JEEG	screw AUT.TCB 3.5X13 DIN 7981 F	PWD CARD SUPPORT JEEG	PWD CARD SUPPORT JEEG	SUPPORTO SCHEDA PWR JEEG
11	U110.002	VITE AUT.TCB 3.5X13 DIN 7981 F Z	ASPIRATION BUSH	VIS TCB 3.5X13	Linsen-Blechschr. 3,5x13 DIN 798	VITE AUT.TCB 3.5X13 DIN 7981 F Z
12	0870.048	BOCCOLA ASPIRAZIONE	ASPIRATION BUSH	BOUCHON	Anschluss Absaugschlauch P700N	CARTER X ASPIRAZIONE VENTOLA JEE
13	11034135	CARTER X ASPIRAZIONE VENTOLA JEE	FAN ASPIRATION CASING JEEG	FAN ASPIRATION CASING JEEG	FAN ASPIRATION CASING JEEG	CLIP ADESIVO 25X25 ITW 026920009
14	184320700	CLIP ADESIVO 25X25 ITW 026920009	ADHESIVE CLIP 25X25 0269200096	ADHESIVE CLIP 25X25 0269200096	Halterung für Kabelbaum selbstkl	VITE AUT.TCB 3.5X32 DIN 7981 C N
15	U109.029	VITE AUT.TCB 3.5X32 DIN 7981 C N	screw AUT.TCB 3.5X32 DIN 7981 C	VIS TCB 3.5X32DIN7981CNIK VOIR %	Linsen-Blechs. 3.5x32 DIN 7981 N	VITE AUT.TCB 3.5X32 DIN 7981 C N
16	11025902	CUNEO CENTRAGGIO PORTA NEXTAGE	WEDGE	CALE	Zentrierstück für Verbindungskit	CUNEO CENTRAGGIO PORTA NEXTAGE
17	11034589	REED X VASCA	REED FOR TANK	REED FOR TANK	REED FOR TANK	REED X VASCA
18	11034372	ASS.SUPPORTO UGELLI JEEG	NOZZLES SUPPORT JEEG	NOZZLES SUPPORT JEEG	NOZZLES SUPPORT JEEG	ASS.SUPPORTO UGELLI JEEG
19	U110.011	VITE AUT.TCB 2.9X9.5 DIN 7981 F	screw AUT.TCB 2.9X9.5 DIN 7981 F	VIS AUT.TCB 2.9X9.5 DIN 7981 F	Linsen-Blechschr. 2.9x9,5DIN 798	VITE AUT.TCB 2.9X9.5 DIN 7981 F
20	NF11.015	RIVETTO AD ESPANS. D=2,9X8MM ALL	EXPANSION RIVET D=2,9X8 ALU.	ATTACHES	Hohlniete d=2,8x8 Alu	RIVETTO AD ESPANS. D=2,9X8MM ALL
21	11034371	SUPPORTO UGELLI JEEG BLK	NOZZLES SUPPORT JEEG BLK	NOZZLES SUPPORT JEEG BLK	NOZZLES SUPPORT JEEG BLK	SUPPORTO UGELLI JEEG BLK
22	NF11.026	RIVETTO AD ESPANSIONE D.3.9X8 AL	EXPANSION RIVET D.3.9X8 ALU.	RIVET D'EXPANSION D.3.9X8 ALU.	Niete d=3.9 mm x 8	RIVETTO AD ESPANSIONE D.3.9X8 AL
23	11034180	CERNIERA PORTA ANTERIORE JEEG	HINGE FOR DOOR JEEG	HINGE FOR DOOR JEEG	HINGE FOR DOOR JEEG	CERNIERA PORTA ANTERIORE JEEG
24	U201.001	ROSETTA PIANA 3.2X9 DIN 7349 ZNP	PLAIN WASHER 3,2X9 DIN 7349 GALV	RONDELLE	Scheibe 3.2 DIN 7349 verz.	ROSETTA PIANA 3.2X9 DIN 7349 ZNP
25	1813.029.050	PIASTRA UGELLI	NOZZLES PLATE	SUPPORT BEC DE SORTIE	Schlauchhalterung SG200	PIASTRA UGELLI
26	11008262	SUPPORTO MACININO	GRIND SUPPORT	SUPPORT MOULIN	MÜHLENAUFNAHME	SUPPORTO CONTENITORI+MIXER JEEG
27	11034157	SUPPORTO CONTENITORI+MIXER JEEG	CONTAINER+MIXER SUPPORT JEEG	CONTAINER+MIXER SUPPORT JEEG	CONTAINER+MIXER SUPPORT JEEG	VASCA X POLVERE SOLUBILI JEEG
28	11034159	VASCA X POLVERE SOLUBILI JEEG	TANK X SOLUBLES POWDER JEEG	TANK X SOLUBLES POWDER JEEG	TANK X SOLUBLES POWDER JEEG	CASSETTO FONDI JEEG
29	11034237	CASSETTO FONDI JEEG	DRAWER TRUST	BAC A MARC	Satzbehälter	CASSETTO FONDI JEEG
30	11029899	GRIGLIA VASCA REC.ACQ.RYL/T INOX	SB/SS DRIP TRAY GRATE RYL/T	GRILLE BAC RECUIPE EAU INOX	SB/SS DRIP TRAY GRATE RYL/T	GRIGLIA VASCA REC.ACQ.RYL/T INOX
31	17000991	GALLEG.VASCA REC.ACQ.V2 RYL ROS.	RED FLOAT V2 FOR DRIP TRAY RYL	FLOTTEUR BAC EAU USEES ROUGE	RED FLOAT V2 FOR DRIP TRAY RYL	GALLEG.VASCA REC.ACQ.V2 RYL ROS.
32	11031093	AS.VASCA REC.ACQ.RYL VERN.NER/TX	TXO/BLK DRIP TRAY RYL ASSY.	BAC REC EAU USEES NOIR	TXO/BLK DRIP TRAY RYL ASSY.	TXO/BLK DRIP TRAY RYL ASSY.
33	11034356	ASS.CABLAGGIO VENTOLA 24VDC JEEG	HARNESS FAN 24VDC JEEG	HARNESS FAN 24VDC JEEG	HARNESS FAN 24VDC JEEG	ASS.CABLAGGIO VENTOLA 24VDC JEEG



Iperautomatica

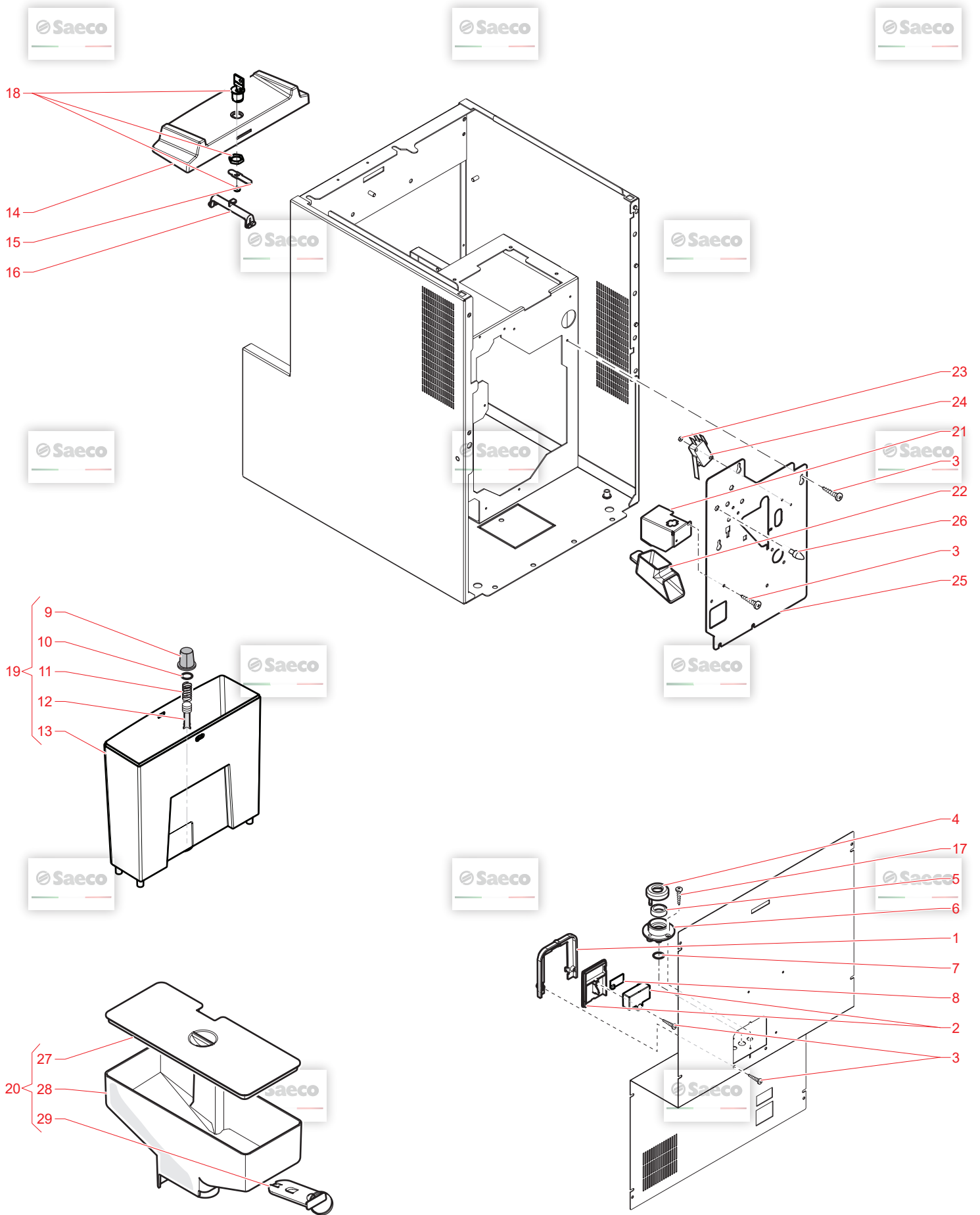
14/02/2019

01

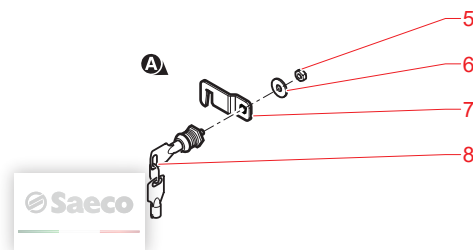
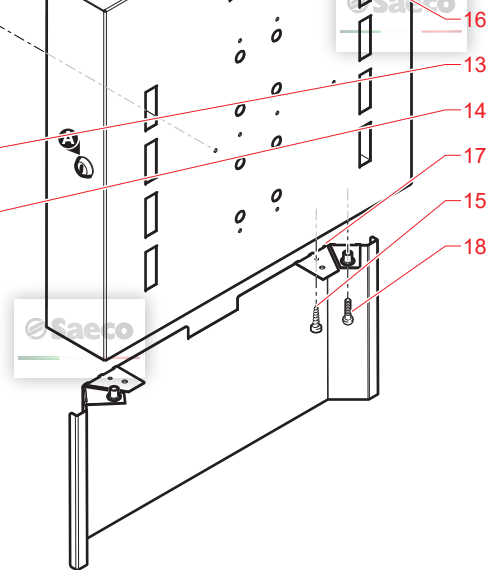
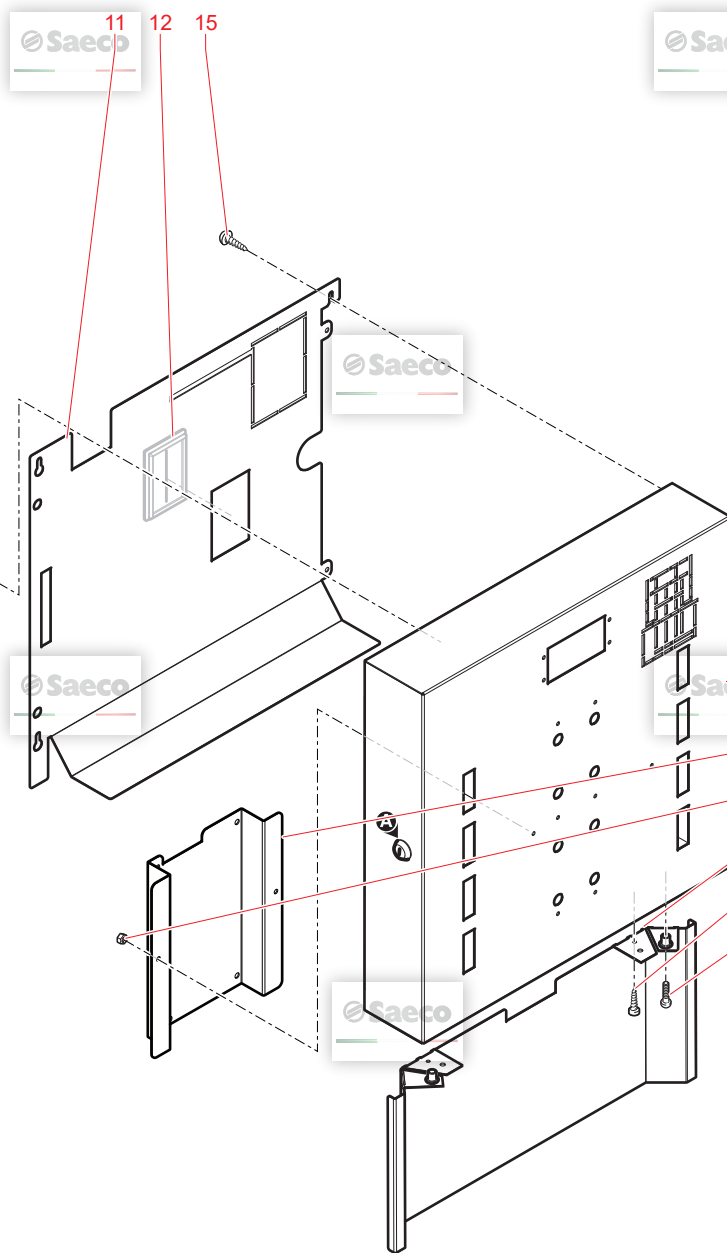
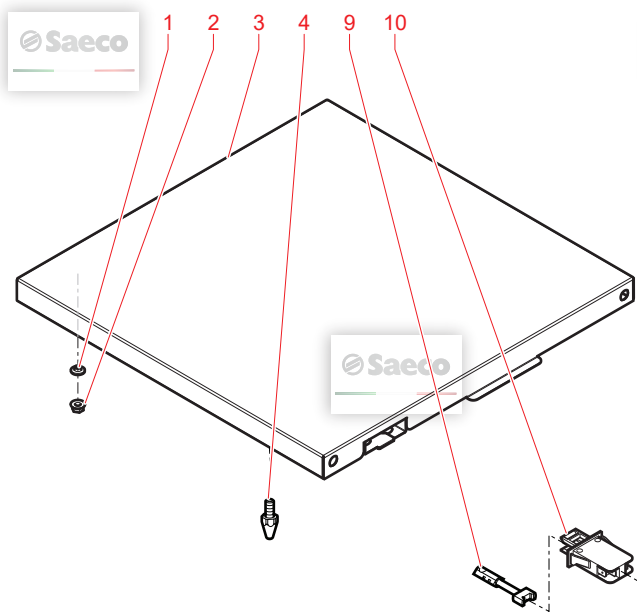
E019.047

GAGGIO MONTANO

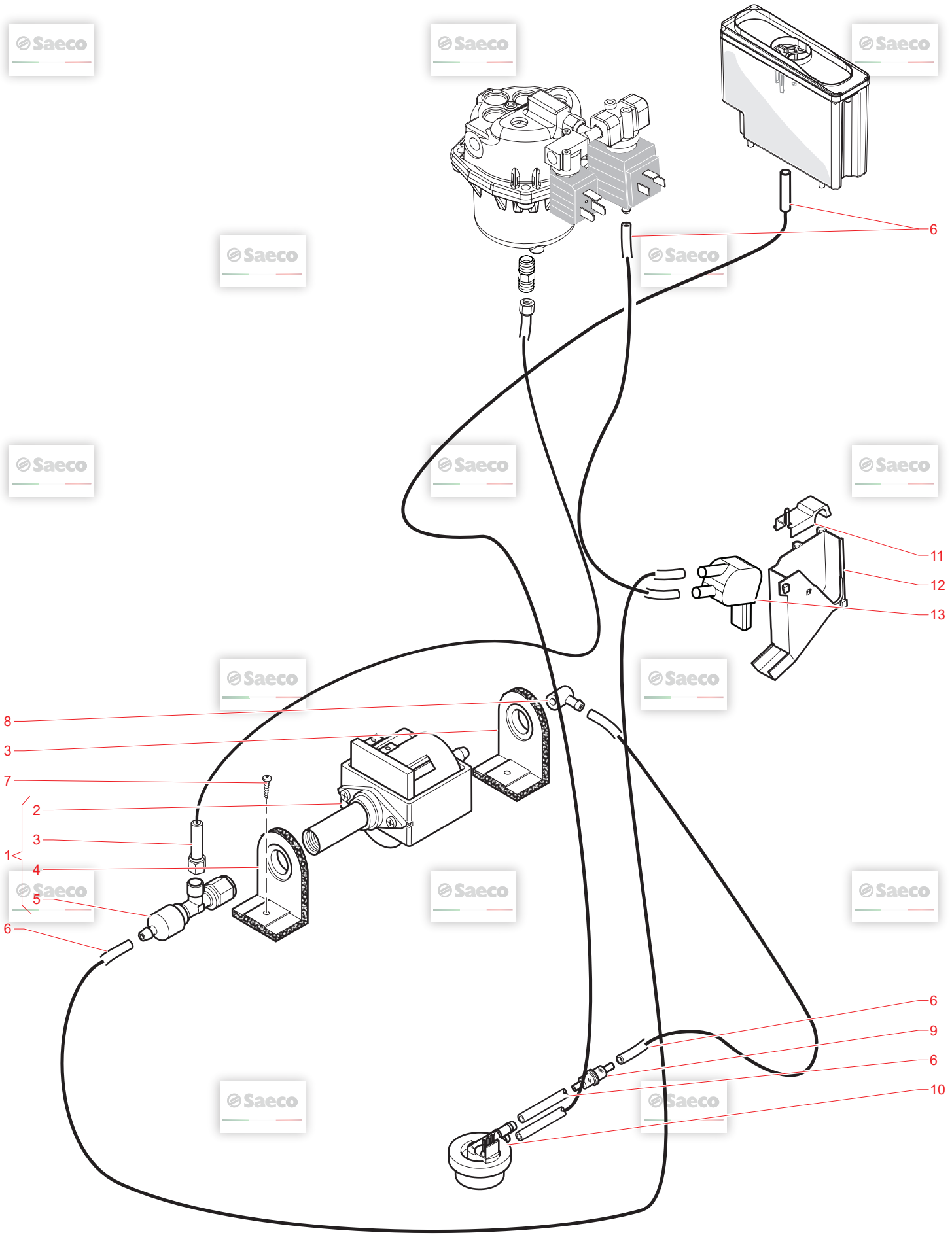
© by Saeco, a company of Evoca Group



N.POSI COD	I - DESCRIZIONE	UK - DESCRIPTION	F - DESCRIPTION	D - BEZEICHNUNG	E - DESCRIPCION
1	11034278	SUPPORTO PIASTRA X SENSORE ACQUA	SUPPORT PLATE X SENSOR WATER BLK	SUPPORT PLATE X SENSOR WATER BLK	SUPPORTO PIASTRA X SENSORE ACQUA
2	11010917	SUPP.SENSORE LIVEL.ACQUA LAVV2	BLACK WATER LEVEL SENSOR SUPPORT	BLACK WATER LEVEL SENSOR SUPPORT	BLACK WATER LEVEL SENSOR SUPPORT
3	U110.004	VITE AUT.TCB.3.5X6.5 DIN 7981 F	BLACK WATER LEVEL SENSOR SUPPORT	Schraube 3,5X6,5 DIN7981F	VITE AUT.TCB.3.5X6.5 DIN 7981 F
4	0701.031.150	COP.GUARN.GACO DIM. 14 VALV.ACQ.G	GREY WATER VALVE GACO DIM 14 SEA	CACHE JOINT GRIS	COP.GUARN.GACO DIM 14 VALV.ACQ.G
5	145842900	GUARN.GACO DIM14 VALV.CONT.ACQ.N	GREY WATER VALVE GACO DIM14 SEA	JOINT GACO	GUARN.GACO DIM14 VALV.CONT.ACQ.N
6	0701.014.150	CONT.GUARN.GACO DIM 14 VALV.ACQ.	OR ORM 0080-20 TERMOIL	SUPPORT JOINT	CONT.GUARN.GACO DIM 14 VALV.ACQ.
7	140320461	OR ORM 0080-20 TERMOIL	AS CPU-SW WATER LEVEL SENSOR V2	JOINT DE PIPETTE 0080-20	OR ORM 0080-20 TERMOIL
8	11003232	CPUI(CON PROG X SENS.LIV.ACQ)	WHITE WATER CONTAINER EXT.FILTER	PLATINE SENSEUR NIVEAU D'EAU	CPUI(CON PROG X SENS.LIV.ACQ)
9	224640200	AS.FILTRO EST.CONT.ACQ.BIA.	OR ORM 0060-30 SILICONE	ENS.FILTRE EXT.POUR BACS A EAU	AS.FILTRO EST.CONT.ACQ.BIA.
10	140324362	OR ORM 0060-30 SILICONE	SS WATER CONTAINER VALVE SPRING	RESSORT DE VALVE	OR ORM 0060-30 SILICONE
11	126764718	MOLLA CILINDR.VALV.CONT.ACQ.INOX	GREY PISTON FOR WATER CONTAINER	PISTON X VALVE BAC EAU	MOLLA CILINDR.VALV.CONT.ACQ.INOX
12	147660562	PISTVALV.CONT.ACQ.GRI.	NATIGREY WATER CONTAIN V2 LAVV2		PISTVALV.CONT.ACQ.GRI.
13	11012190	CONT.ACQ.V2 LAV.V2 GRINAT/DIAS.	BLK WATER CONTAINER LID LAV.		CONT.ACQ.V2 LAV.V2 GRINAT/DIAS.
14	11034332	COP.CONT.ACQ.C/FORO SERR.LAV.VER	SS PLATE FOR WATER CONT.LID LOCK		COP.CONT.ACQ.C/FORO SERR.LAV.VER
15	421941306371	PIAST.SERRAT.COP.CONT.ACQ.V2 LAV	BLACK WATER CONTAINER HANDLE LAV		PIAST.SERRAT.COP.CONT.ACQ.V2 LAV
16	146581150	MANIGLIA CONT.ACQ.LAV.NER.	BLACK WATER CONTAINER HANDLE LAV		MANIGLIA CONT.ACQ.LAV.NER.
17	129532521	VITE TSP 2.9X9.5 DIN 7982 INOX	SCREW TSP2,9X9,5 DIN 7982 SS		VITE TSP 2,9X9,5 DIN 7982 INOX
18	2001902	SERRATURA MERONI 337	LOCK MERONI 337		SERRATURA MERONI 337
19	11012191	AS.CONT.ACQ.V2 LAV.V2 GRINAT.	NATIGREY WATER CONTAINER V2 LAV.		AS.CONT.ACQ.V2 LAV.V2 GRINAT.
20	11008835	ASS.CONTENITORE CAFFE' 5P07	COFFEE TANK ASSEMBLY 5P07		ASS.CONTENITORE CAFFE' 5P07
21	11034165	PIASTRA FISSAGGIO SCARICHI JEEG	FIXING PLATE EXHAUST JEEG		PIASTRA FISSAGGIO SCARICHI JEEG
22	11034259	COLLETTORE SCARICHI JEEG	EXHAUST MANIFOLD JEEG		COLLETTORE SCARICHI JEEG
23	U324.005	DADO M3 FLANGIATO BASE DENTELLAT	NUT M3 FLANGED INDENTED BASE		DADO M3 FLANGIATO BASE DENTELLAT
24	NE05.018	MICROINTERRUTTORE	MICROSWITCH		MICROINTERRUTTORE
25	11034163	SUPPORTO GRUPPO-MOTORIDUTTORE JE	SUPPORT RATIO MOTOR JEEG		SUPPORTO GRUPPO-MOTORIDUTTORE JE
26	11006046	PERNO X CALDAIA	PEG FOR BOILER		PERNO X CALDAIA
27	11007015	COPERCHIO CONT.CAFFE' IN GRANI 5	5P07 COFFEE CONTAINER COVER		COPERCHIO CONT.CAFFE' IN GRANI 5
28	11007014	CONTENITORE CAFFE' IN GRANI 5P07	COFFEE CONTAINER 5P07		CONTENITORE CAFFE' IN GRANI 5P07
29	11010736	ASS.GHIGLIOTTINA CAFFE'	ASS.GUILLOTINE COFFEE		ASS.GHIGLIOTTINA CAFFE'

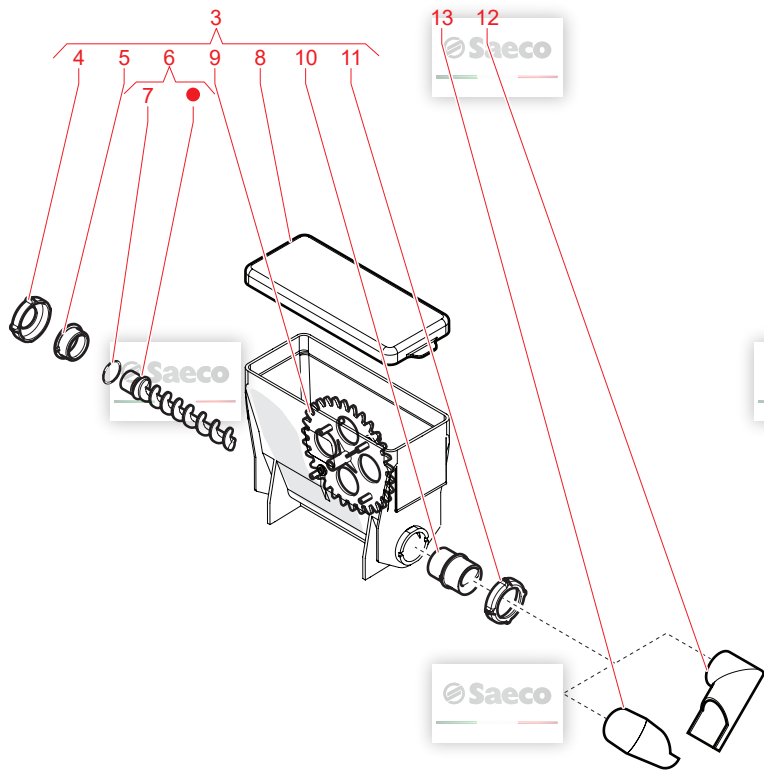
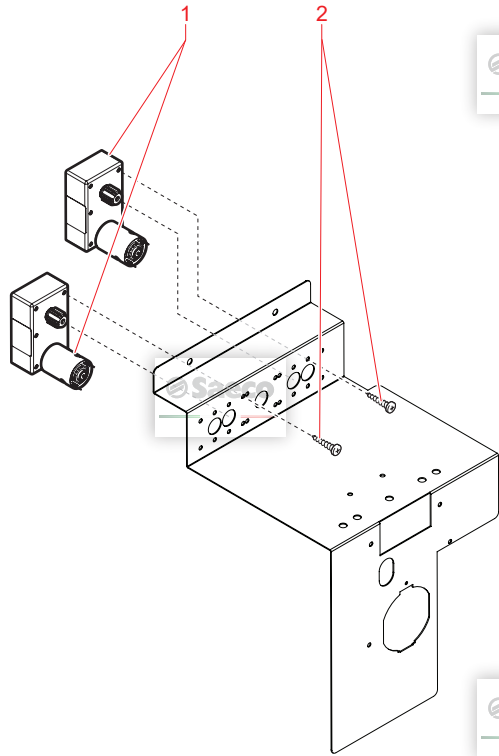


N.POSI COD	I - DESCRIZIONE	UK - DESCRIPTION	F - DESCRIPTION	D - BEZEICHNUNG	E - DESCRIPCION
1	1602.147	BUSH FOR DOOR CONNECTING ROD	BLOCCAGE ET BIELLE DE PORTE	Hülse zu Pleuel/Tür-Produktklausga	BOCCOLA X BIELLA SPORTELLO
2	U324.006	NUT M4 FLANGED INDENTED BASE	ECROU	Sechskantmutter M4 DIN 934	DADO M4 FLANGIATO BASE DENTELLAT
3	11034142	BLK TOP JEEG WITH HINGE	BLK TOP JEEG WITH HINGE	BLK TOP JEEG WITH HINGE	TETTO CON CERNIERA JEEG BLK
4	11025902	WEDGE	CALE	Zentriersstück für Verbindungskit	CUNEO CENTRAGGIO PORTA NEXTAGE
5	U302.004	nut HEXAGONAL M6 UNI 5588 ZNP	ECROU M6 UNI 5588 ZNP	Sechskantmutter M6 DIN 934 verz.	DADO ESAGONALE M6 UNI 5588 ZNP
6	U302.006	TOOTHED WASHER 6.4X11 UNI 3703	RONDELLE 6.4X11	Zahnscheibe ø6.4x11	ROSETTA DENT. 6.4X11 UNI 3703 BR
7	11034242	LEVER FOR LOCK	LEVIER DE SERRURE	SCHLIEßRIEGEL	SCARPETTA X SERRATURA JEEG
8	11034242	LOCK MERONI 3351B21 X DISTRIB.	SERRURE MERONI 3351B21	SCHLOR + SCHLÜSSEL MERONI	SERRAT. MERONI 3351B21 X DISTRIB
9	11028411	KEY	CLEF DE TECHNICIEN	KEY	CHIAVE ATTUAZIONE LUNGA MICRO PO
10	NE05.039	BIPOLAR MICROSWITCH	MICRO INTERRUP.BIPOLAIRE	Mikroschalter/Türe 2-polig 230 V	MICROINTERRUTTORE BIPOLARE
11	11034252	PROTECTION COVER DOOR JEEG BLK	PROTECTION COVER DOOR JEEG BLK	PROTECTION COVER DOOR JEEG BLK	CARTER PROTEZIONE PORTA JEEG BLK
12	0875.250	TRIMMING RUNCABLE FRAME	GARNITURE PASSAGE CABLE	Dichtung zu Kabelführung Gehäuse	GUARNIZIONE PASSACAVI CARCASSA
13	U324.005	NUT M3 FLANGED INDENTED BASE	ECROU	Mutter M3 mit Flansch	DADO M3 FLANGIATO BASE DENTELLAT
14	11034170	FIXING SUPPORT KEYBOARD JEEG	FIXING SUPPORT KEYBOARD JEEG	FIXING SUPPORT KEYBOARD JEEG	SUPPORTO FISSAGGIO TASTIERA JEEG
15	U110.004	screw AUT.TCB 3.5X6.5 DIN 7981 F	VIS AUT.TCB 3.5X6.5 DIN 7981 F	Schraube 3.5x6.5 DIN/7981F	VITE AUT.TCB 3.5X6.5 DIN 7981 F
16	11034169	FRONT DOOR JEEG BLK	FRONT DOOR JEEG BLK	FRONT DOOR JEEG BLK	PORTA ANTERIORE JEEG BLK
17	11034148	PLATE FOR TANK JEEG BLK	PLATE FOR TANK JEEG BLK	PLATE FOR TANK JEEG BLK	FASCIA X VASCA RECUPERO ACQUA JE
18	12002039	SCREW TCB.D TORX 20 M4X12 ZN-B	VIS TCB.D M4X12 ZN-B	Schraube 3.5x48x28 TORX	VITE TCB.D M4X12 ZN-B
19	11034241	ADHESIVE KEYBOARD PRODUCT JEEG	ADHESIVE KEYBOARD PRODUCT JEEG	ADHESIVE KEYBOARD PRODUCT JEEG	TASTIERA PRODOTTI ADESIVA JEEG
20	15004381	PRODUCTS LABEL'S SHEET CRISTALLO	PLANCHE D'ETIQUETTES CRISTALLO E	PRODUCTS LABEL'S SHEET CRISTALLO	FOGLIO ETICH.PROD.TAST.CAPACITIV
20	15004382	PRODUCTS LABEL'S SHEET CRISTALLO	PLANCHE D'ETIQUETTES CRISTALLO E	PRODUCTS LABEL'S SHEET CRISTALLO	FOGLIO ETICH.PROD.TAST.CAPACITIV
20	15004383	PRODUCTS LABEL'S SHEET CRISTALLO	PLANCHE D'ETIQUETTES CRISTALLO E	PRODUCTS LABEL'S SHEET CRISTALLO	FOGLIO ETICH.PROD.TAST.CAPACITIV
20	15004384	PRODUCTS LABEL'S SHEET CRISTALLO	PLANCHE D'ETIQUETTES CRISTALLO E	PRODUCTS LABEL'S SHEET CRISTALLO	FOGLIO ETICH.PROD.TAST.CAPACITIV
20	15004385	PRODUCTS LABEL'S SHEET CRISTALLO	PLANCHE D'ETIQUETTES CRISTALLO E	PRODUCTS LABEL'S SHEET CRISTALLO	FOGLIO ETICH.PROD.TAST.CAPACITIV
20	15004386	PRODUCTS LABEL'S SHEET CRISTALLO	PLANCHE D'ETIQUETTES CRISTALLO E	PRODUCTS LABEL'S SHEET CRISTALLO	FOGLIO ETICH.PROD.TAST.CAPACITIV
20	15004387	PRODUCTS LABEL'S SHEET CRISTALLO	PLANCHE D'ETIQUETTES CRISTALLO E	PRODUCTS LABEL'S SHEET CRISTALLO	FOGLIO ETICH.PROD.TAST.CAPACITIV
20	15004670	ADD.LABEL'S SHEET CAPACITIVE KEY	ETIQUETTES ADD. CLAVIER TACTILE	ADD.LABEL'S SHEET CAPACITIVE KEY	FOGLIO AGG. ETICH.PROD.TAST.CAPA



N.POSI COD	I - DESCRIZIONE	UK - DESCRIPTION	F - DESCRIPTION	D - BEZEICHNUNG	E - DESCRIPCION
1	11034275	PUMP 230V JEEG	ENSEMBLE POMPE 230V	PUMPE KOMPLETT 230V	ASS.POMPA EX5 SD1 T3X6 JEEG 230V
1	11034523	PUMP 220V 60HZ JEEG	ENSEMBLE POMPE 220V 60HZ	PUMPE KOMPLETT 220V 60HZ	ASS.POMPA EX5 SD1 T3X6 JEEG 220V
2	9070.042.00A	BRASS PUMP	BRASS PUMP	BRASS PUMP	POMPA IN OTTONE
2	9070.042.00N	ULKA PUMP EX5 SD1	NON UTILISEE PAR LA FRANCE ET LE	Pumpe Ulka Ex5 220V / 60Hz SD1	POMPA ULKA EX5 SD1
3	149185850	EATON PUMP SUPPORT 4002012 MAGIC	SUPPORT DE POMPE	Pumpenhalterung Typ EATON sz.	SUPP.POMPA EATON MAGIC 4002012
4	11025295	"TEFLON TUBE 3X6 L.170 1/8"-1/8"	"ENS.TUBE TEFLON 3X6 L.170 1/8"-1"	Teflonschlauch 3x6 / l=170mm 1/8	"ASS.TUBO TEFLON 3X6 L.170 1/8"-1"
5	11005590	SAFETY VALVE/NON RETURN ASS. NEW	VALVE ANTI RETOUR	Sicherheits- Rückschlagventil	ASS.VALVOLA SICUREZZA/RITORNORN
6	9972.246	SILICONE TUBE 5X10 L.2000MM	TUBE SILICONE 5X10 L.2000MM	Silikonschlauch 5X10 L=2000 mm	TUBO SILICONE 5X10 L=2000 MM
7	U043.015	screw TCBC M5,0X12 UNI 7687 GALV	VIS TCBC M5,0X12 UNI 7687 GALV.	Schraube M5x12 DIN 7985 verz.	VITE TCBC M5,0X12 UNI 7687 ZNP
8	147920150	90° INLET PUMP CONNECTOR	RACCORD 90° CAOUTCHOUC	Pumpenanschlußwinkel 90° - weils Ku	RAC.INGRESSO A 90° POMPA NEU.
9	11032038	FILTER INTAKE IN LUNG WATER SUPP	FILTRE D'ASPIRATION	Wasserfilter	FILTRO POLMONE IN ASPIRAZ.RETE I
10	NV99.099	TURBINE D=1,2 ASSY.	DEBITMETRE D=1,2	TURBINE D=1,2	AS.TURBINA D=1,2
11	9161.262.060	DRIP CHANNEL COVER	COUV.CANAL DECOMPRESSION	Abdeckung zu Aufgängerichter, br	COPERTURA CANALINO RACCOGLIGOCCE
12	9111.528.050	COFFEE DISCHARGE CHANNEL	CANAL DE DECHARGE	Restwasserkanal P700N	CANALINO SCARICO CAFFE'
13	11034260	SYPHON FOR SOLENOID VALVE	SYPHON FOR SOLENOID VALVE	SYPHON FOR SOLENOID VALVE	SIFONE X ELETTROVALVOLA JEEG





N.POSI COD	I - DESCRIZIONE	UK - DESCRIPTION	F - DESCRIPTION	D - BEZEICHNUNG	E - DESCRIPCION
1	11034223	MOTORE FLAT 24VDC 90RPM COMPO 26	MOTOR FLAT 24VDC 90RPM COMPO 263	MOTOR FLAT 24VDC 90RPM COMPO 263	MOTORE FLAT 24VDC 90RPM COMPO 26
2	U110.002	VITE AUT.TCB 3.5X13 DIN 7981 F Z	screw AUT.TCB 3.5X13 DIN 7981 F	Linßen-Blechschr. 3.5x13 DIN 798	VITE AUT.TCB 3.5X13 DIN 7981 F Z
3	11033177	ASS.CONTENITORE BIG COMPO H147 M	CONTAINER BIG COMPO H147 SPRING	CONTAINER BIG COMPO H147 SPRING	ASS. CONTENITORE BIG COMPO H147 M
4	20007686	GHIERA BLOCCAGGIO FLANGIA POS.10	NUT LOCKING FLANGE POS.101A0477A	NUT LOCKING FLANGE POS.101A0477A	GHIERA BLOCCAGGIO FLANGIA POS.10
5	20007588	FLANGIA POSTERIORE COCCLEA PLAS.1	REAR FLANGE SCREW PLAS.101A0476A	REAR FLANGE SCREW PLAS.101A0476A	FLANGIA POSTERIORE COCCLEA PLAS.1
6	20007687	COCCLEA COMPLETA NOTTOLINO+GUAR.2	SCREW FULL TURN + GUAR.201A0513B	SCREW FULL TURN + GUAR.201A0513B	COCCLEA COMPLETA NOTTOLINO+GUAR.2
7	NM01.019	OR 3075 SILICONE	OR 3075 SILICONE	O-Ring 3075 Silicon	OR 3075 SILICONE
8	20007685	COPERCHIO D83 NSF SERIE 237 101A	COVER D83 NSF SERIES 237 101A110	COVER D83 NSF SERIES 237 101A110	COPERCHIO D83 NSF SERIE 237 101A
9	20007684	ASS.RUOTA AGITAZIONE CON MOLLE 2	STIRRING WHEEL + SPRINGS 201A053	STIRRING WHEEL + SPRINGS 201A053	ASS. RUOTA AGITAZIONE CON MOLLE 2
10	20007701	FLANGIA ANTERIORE C/SCIVOLO 101A	FLANGE FRONT C / CHUTE 101A0498B	FLANGE FRONT C / CHUTE 101A0498B	FLANGIA ANTERIORE C/SCIVOLO 101A
11	20007702	GHIERA BLOCCAGGIO FLANGIA CONT.1	NUT LOCKING FLANGE CONT.101A0490	NUT LOCKING FLANGE CONT.101A0490	GHIERA BLOCCAGGIO FLANGIA CONT.1
12	11034224	PIPA SX 38X76 TAGLIATA COMPO 101	PIPA LEFT COMPO 101A0341Z	PIPA LEFT COMPO 101A0341Z	PIPA SX 38X76 TAGLIATA COMPO 101
13	11034220	PIPA DX 38X76 TAGLIATA COMPO 101	PIPA RIGHT COMPO 101A0340Z	PIPA RIGHT COMPO 101A0340Z	PIPA DX 38X76 TAGLIATA COMPO 101



Iperautomatica

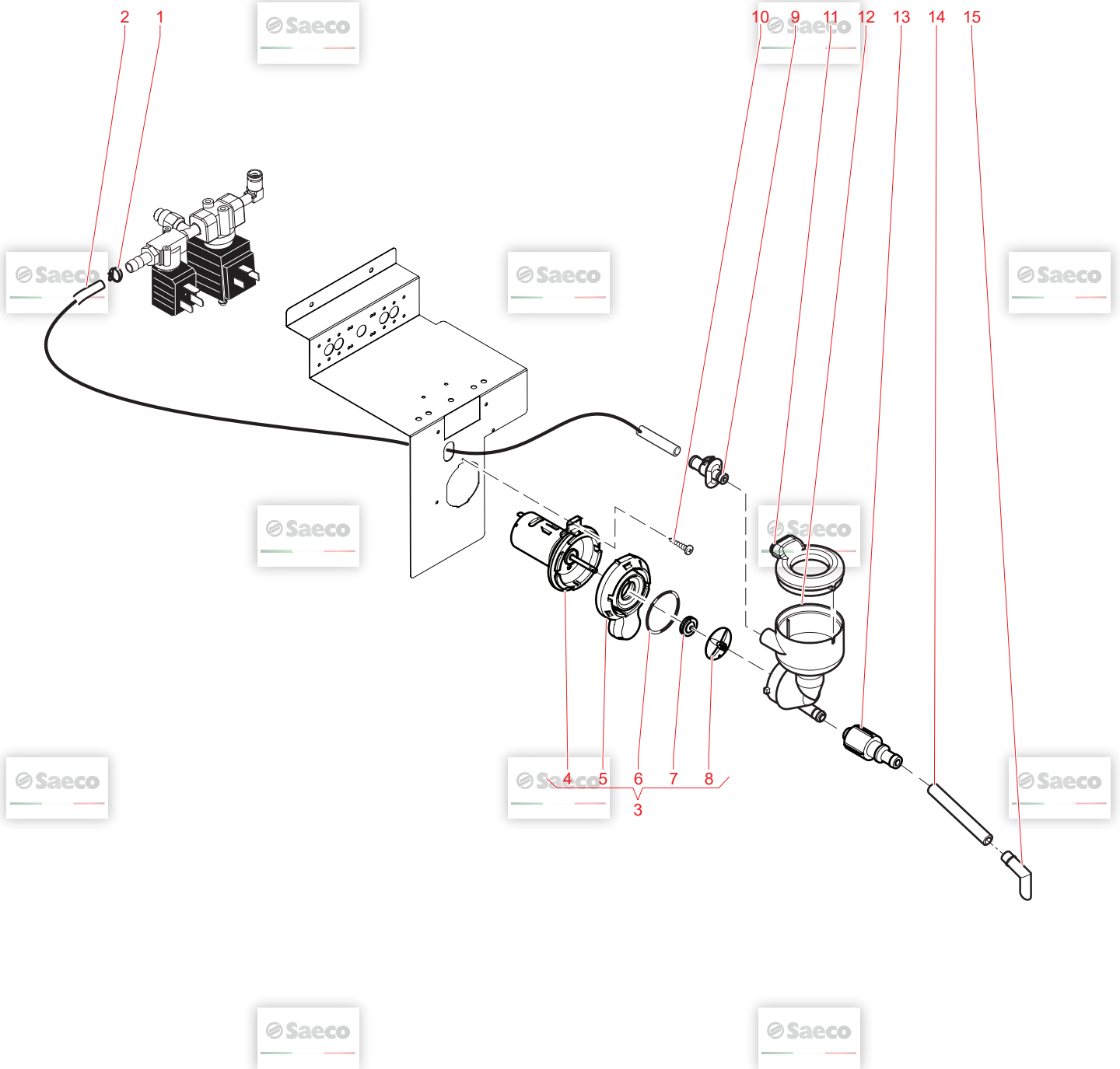
14/02/2019

05

E019.047

GAGGIO MONTANO

© by Saeco, a company of Evoca Group



N.POSI COD	I - DESCRIZIONE	UK - DESCRIPTION	F - DESCRIPTION	D - BEZEICHNUNG	E - DESCRIPCION
1	NV99.050	HOSECLAMP D. 13.3/14.1	ATTACHE D. 13.3/14.1	Klemmfeder d=13,3/14, 1mm	FASCETTA STRINGITUBO D. 13.3/14.
2	9972.055	SILICONE TUBE 7X11 L.2000MM	TUBE SILICONE 8X12	Siliconschlauch 8x12, l=2mtr.	TUBO SILICONE 8X12 L=2000 MM
3	11033184	MIXER COMPO S247A 24V	MIXER COMPO S247A 24V	MIXER COMPO S247A 24V	ASS. MIXER COMPO S247A 24V
4	11034228	MOTOR MIX 24VDC COMPO 209D9041GA	MOTOR MIX 24VDC COMPO 209D9041GA	MOTOR MIX 24VDC COMPO 209D9041GA	MOTORE MIX 24VDC COMPO 209D9041G
5	20007700	NUT FIXING BODY MIX QU. 101A1252	NUT FIXING BODY MIX QU. 101A1252	NUT FIXING BODY MIX QU. 101A1252	GHIERA FISSAGGIO CORPO MIX QU. 1
6	20007682	O-RING FOR GROUP MIX Q.F-65SH 10	O-RING FOR GROUP MIX Q.F-65SH 10	O-RING FOR GROUP MIX Q.F-65SH 10	O-RING PER GRUPPO MIX Q.F-65SH 1
7	20007683	INSIDE SEAL SIL. D.3 107A0033A	INSIDE SEAL SIL. D.3 107A0033A	INSIDE SEAL SIL. D.3 107A0033A	GUARNIZIONE INTERNA SIL. D.3 107
8	11034225	FAN MIX COMPO 101A1238A	FAN MIX COMPO 101A1238A	FAN MIX COMPO 101A1238A	VENTOLA CORPO MIX COMPO 101A1238
9	11034229	ADAPTOR QUICK-FIT COMPO 201A1275	ADAPTOR QUICK-FIT COMPO 201A1275	ADAPTOR QUICK-FIT COMPO 201A1275	ASS. NUOVO ADAPTOR COMPO 201A1275
10	U110.002	screw AUT.TCB 3.5X13 DIN 7981 F	VIS TCB 3.5X13	Linsen-Blechschr. 3.5x13 DIN 798	VITE AUT.TCB 3.5X13 DIN 7981 F Z
11	11034222	FUNNEL ASPIRATION COMPO 101A1256	FUNNEL ASPIRATION COMPO 101A1256	FUNNEL ASPIRATION COMPO 101A1256	IMBUTO ASPIRAZ.BASSO COMPO 101A1
12	11034221	MIXER TRAY COMPO 101A1267B	MIXER TRAY COMPO 101A1267B	MIXER TRAY COMPO 101A1267B	VASCHETTA CORPO MIX COMPO 101A12
13	11034501	ADAPTOR QUICK-FIT COMPO 201A0215	ADAPTOR QUICK-FIT COMPO 201A0215	ADAPTOR QUICK-FIT COMPO 201A0215	ASS. RIDUTTORE CORPO MIX 201A0215
14	9972.057	SILICONE TUBE 5X8 L.2000MM	TUBE SILICONE MARRON L2M 5X8	Siliconschlauch 5x8, l=2mtr. bra	TUBO SILICONE MARRON 5X8 L.2000
15	1813-109.050	NOZZLES	BEC DE SORTIE COUDE	Schlauchanschluswinkel SG200 FW	UGELLO



Iperautomatica

14/02/2019

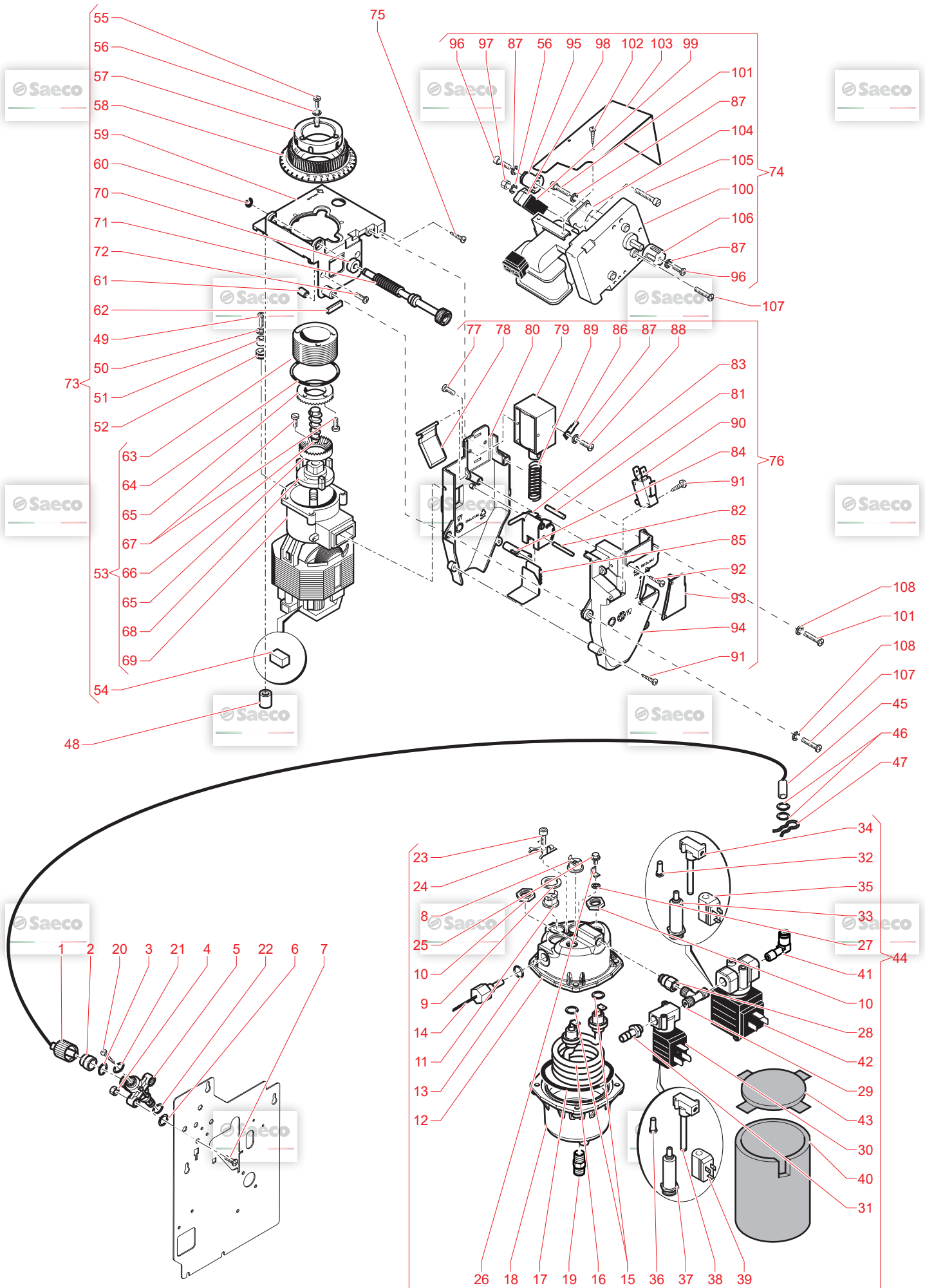
06

E019.047

GAGGIO MONTANO

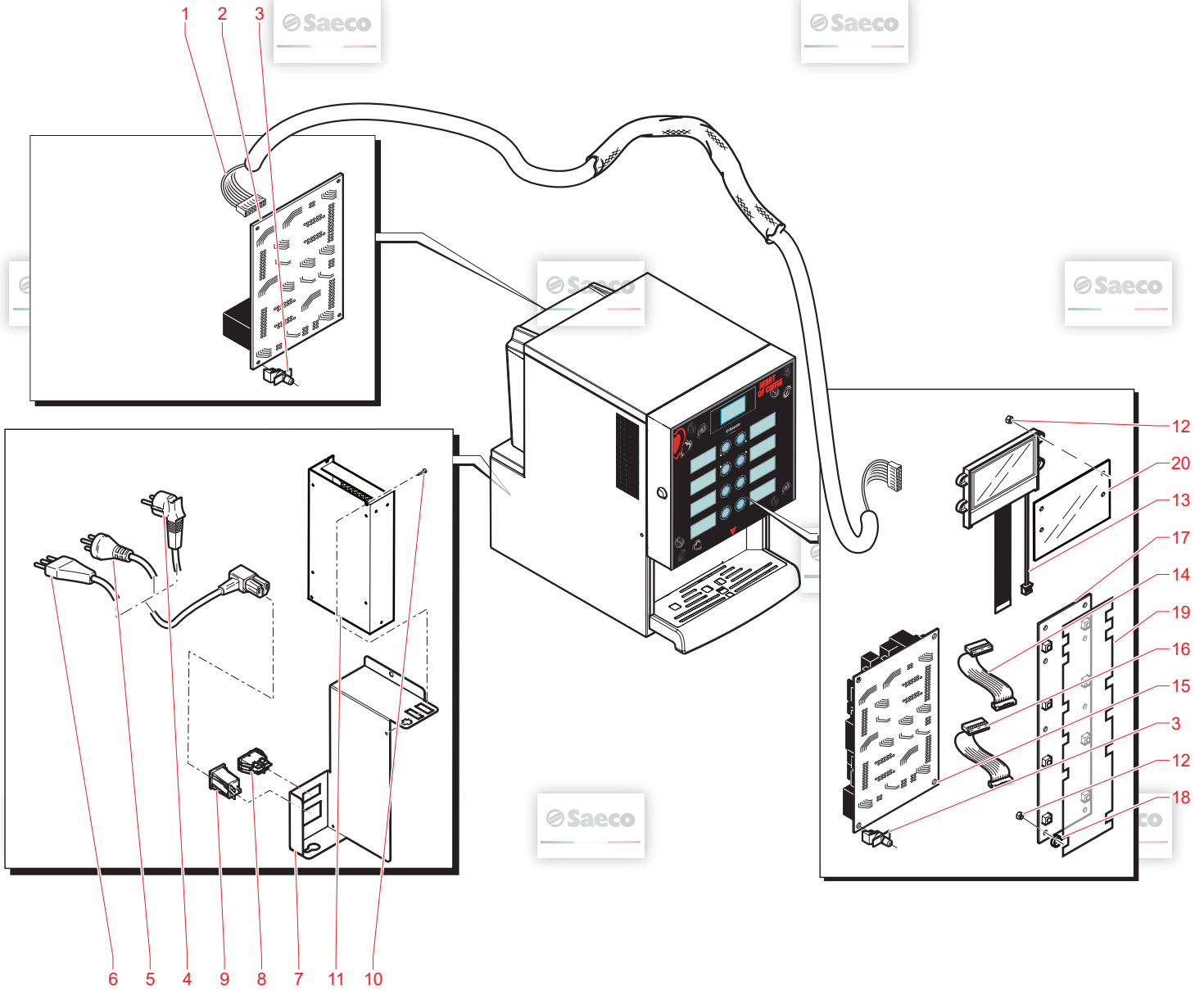
NOTE

© by Saeco, a company of Evoca Group



N.POSI	COD	I - DESCRIZIONE	UK - DESCRIPTION	F - DESCRIPTION	D - BEZEICHNUNG	E - DESCRIPCION
1	11029574	GODRONE FEMMINA M14 X TUBO 4X2	KNURLED FEMALE HAND BOLT M14	ECROU M14	Anschluss Vorheizung C600	GODRONE FEMMINA M14 X TUBO 4X2
2	11029571	BOCCOLA ADATTATORE TUBO 4X2	BUSH	RONDELLE	ABSTANDSHÜLSE	BOCCOLA ADATTATORE TUBO 4X2
3	12001810	OR 275 DE 8.04 SILICONE PERNO MA	OR 275 DE 8.04 SILICONE PERNO MA	ECROU HEXAGONAL M4 UNI 5589 ZN	OR 275 DE 8.04 SILICONE PERNO MA	OR 275 DE 8.04 SILICONE PERNO MA
4	U302.003	DADO ESAGONALE M4 UNI 5589 ZN	GALVUT HEXAGONAL M4 UNI 5589 Z	ECROU HEXAGONAL M4 UNI 5589 ZN	Mutter M4 UNI 5589 ZN	DADO ESAGONALE M4 UNI 5589 ZN
5	11005370	PERNO X MANICOTTO	PIN FOR MUFF	PIPETTE DE CHAUDIERE	Ventilzapfen C600	PERNO X MANICOTTO
6	11013174	OR ORM 0050-20 FKM 80 FD VERDE P	OR ORM 0050-20 FKM 80 FD GREEN P	JOINTS OR 0050-20 FKM 80 FD VER	OR ORM 0050-20 FKM 80 FD grün V	OR ORM 0050-20 FKM 80 FD VERDE P
7	U44.0113	VITE TSPC M4.0X12 UNI 7688 ZNP	screw TSPC M4.0X12 UNI 7688 GALV	VIS M4.0X12 UNI 7688 GALV	Senkschraube M4x12 DIN 965 verz.	VITE TSPC M4.0X12 UNI 7688 ZNP
8	180428700	THERMOSTATO 175° INT-15L-5126	THERMOSTAT 175° INT-15L-5126	THERMOSTAT 175° INT-15L-5126	Thermostat Heizung Office One	THERMOSTATO 175° INT-15L-5126
9	9991.085	RONDELLA FERMATERMOSTATI	THERMOSTAT FIXING WASHER	RONDELLE DE THERMOSTAT	Thermostatabschlußring d=15mm	RONDELLA FERMATERMOSTATI
10	9991.029	DADO X RESISTENZA	NUT FOR RESISTOR	ECROU DE LA RESISTANCE	Sechskantmutter zur Heizschlange	DADO X RESISTENZA
11	NE09.021	THERMOSTATO 150°N.C. FASTON 90°	THERMOSTAT 150°N.C. FASTON 90°	THERMOSTAT 150	Thermostat 150°C	THERMOSTATO 150°N.C. FASTON 90°
12	11033131	CORPO SUPERIORE CALDAIA 300CC TE	UPPER CASING BOILER 300CC TEA	UPPER CASING BOILER 300CC TEA	UPPER CASING BOILER 300CC TEA	CORPO SUPERIORE CALDAIA 300CC TE
13	11033220	OR ORM 2043 FKM 80 FD VERDE PERO	OR ORM 2043 FKM 80 FD GREEN PERO	JOINTS OR 2043 FKM 80 FD VERT	O-Ring 2043 FKM 80 FD grün Vifon	OR ORM 2043 FKM 80 FD VERDE PERO
14	11033134	ASS.SONDA TEMPERATURA AD IMMERSI	IMMERSION PROBE	SONDE IMMERGEE	Tauchsonde/ Temp.fühler	ASS.SONDA TEMPERATURA AD IMMERSI
15	11000972	OR 3050 FKM 80 FD PEROXIDICA	OR 3050 FKM 80 FD PEROXIDICA	JOINT OR 3050 FKM 80 FD PEROXIDI	O-Ring 3050 PEROXID	OR 3050 FKM 80 FD PEROXIDICA
16	11007591	RES.CALD. 230V 1400W INC.800	RES.CALD. V230 W1400 INC.800	RESISTANCE 230V 1400W INC.800	Heizung 230V 1400W Idea	RES.CALD. 230V 1400W INC.800
17	NM04.010	OR ORM 0730-40 FPM 70 +5 IRHD N	OR ORM 0730-40 FPM 70+5 IRHD BL	JOINT DE CHAUDIERE OR ORM 0730-4	O-Ring 0730-40 Vifon 75 FDA	OR ORM 0730-40 FPM 70 +5 IRHD N
18	11033133	CORPO INFERIORE CALDAIA 300CC TE	LOWER CASING BOILER 300CC TEA	LOWER CASING BOILER 300CC TEA	LOWER CASING BOILER 300CC TEA	CORPO INFERIORE CALDAIA 300CC TE
19	9991.059	RACCORDO BICONE DIR.M 1/8X06 OTT	STRAIGHT BICONE CONNECTOR M 1/8	RACCORD DE CONNEXION BICONE M 1/	STRAIGHT BICONE CONNECTOR M 1/8X	RACCORDO BICONE DIR.M 1/8X06 OTT
20	U109.037	VITE AUT.TCB 4.8X13 DIN 7981 C N	screw AUT.TCB 4.8X13 DIN 7981 C	VIS AUT.TCB 4.8X13 DIN 7981 C NI	Schraube TCB 4,8x13 DIN 7981 NIK	VITE AUT.TCB 4.8X13 DIN 7981 C N
21	140321462	OR 2018 SILICONE	O-RING 2018 SILICONE	JOINT 2018	O-Ring 2018 Silikon	OR 2018 SILICONE
22	11013173	OR ORM 0090-20 FKM 80 FD VERDE P	OR ORM 0090-20 FKM 80 FD GREEN P	JOINTS OR 0090-20 FKM 80 FD VER	O-Ring 0090-20 FKM 80 FD grün Vi	OR ORM 0090-20 FKM 80 FD VERDE P
23	12001052	VITE TCEI M4.0X6 UNI 5931 8.8 ZI	SCREW TCEI M4.0X6 UNI 5931 ZIN	VIS TCEI M4.0X6 UNI 5931 ZIN	Schraube M4X0,6 UNI5931	VITE TCEI M4.0X6 UNI 5931 8.8 ZI
24	226893200	MOLLA FERMA 3 TERMOSTATI+TERMOFU	RETAIN SPRING 3 THERM. + THERMAL	RESSORT THERMOSTATIQUE	Thermostathaltereder 3 Thermosta	MOLLA FERMA 3 TERMOSTATI+TERMOFU
25	NE25.020	VITE TCEI M6X20 UNI 5931 8.8 ZIN	SCREW TCEI M6X20 UNI 5931 ZIN	VIS M6X20	Zylinderschr. M6x20 DIN 912 verz	VITE TCEI M6X20 UNI 5931 8.8 ZIN
26	10133131	LINGUETTA MASCHIO PIANA 6.3 D.6.	MALE TONGUE PLAIN 6.3 D.6.3	LANGUETTE	Schutzleitereinschluß zu Schraube	LINGUETTA MASCHIO PIANA 6.3 D.6.
27	U204.001	ROSETTA ELAS. 6.4X11.4 UNI 1751	ELAS. WASHER 6.4X11.4 UNI 1751 Z	RONDELLE	Federling 6.4x11.4 DIN 7980	ROSETTA ELAS. 6.4X11.4 UNI 1751
28	11031852	RACCORDO DIRTO 1/8 GAS M/F TEA	CONNECTOR 1/8 GAS M/F TEA CAPS	RACCORDO DIRTO 1/8 GAS M/F TEA	*Anschlußverschraubung 1/8"	RACCORDO DIRTO 1/8 GAS M/F TEA
29	11011454	RACCORDO A T X CALDAIA TEA	*****CONNECTOR FOR BOILER TEA	RACCORD EN T POUR CHAUDIERE TEA	RACCORD A T X CALDAIA TEA	RACCORDO A T X CALDAIA TEA
30	11032924	"EV.2VIE-24VDC-7W-F/1/8"-D.1.2-1"	MALE RUBBER HOLDER C.V.L. D.9	"EV.2VIE-24VDC-7W-F/1/8"-D.1.2-1"	Schlauchanschl. zyind. D9 SG70	"EV.2VIE-24VDC-7W-F/1/8"-D.1.2-1"
31	0871.141	RIC.NUCLEO EVT ODE	SPARE CORE EV ODE	NOYAU RUBIS ELECTROVANNNE ODE	SPARE CORE EV ODE	RIC.NUCLEO EVT ODE
32	20007362	RIC.CANNOTTO EVT ODE	SPARE EVT ODE	CANAL ELECTROVANNNE ODE	SPARE EVT ODE	RIC.CANNOTTO EVT ODE
33	20007363	RIC.EVNT SB0B. EVT 11032408	SPARE EVT 11032408	ELECTROVANNNE SEULE 11032408 HS1	SPARE EVT SB0B. EVT 11032408	RIC.EVNT SB0B. EVT 11032408
34	20007364	RIC. BOBINA EVT ODE	SOLENOID EVT ODE	BOBINE ELECTROVANNNE ODE	RIC. BOBINA EVT ODE	RIC. BOBINA EVT ODE
35	20007361	ASS.CANNOTTO+NUCLEO FISSO OLAB 6	SLEEVE+CORE FIXED OLAB 6056/801	SLEEVE+CORE FIXED OLAB 6056/801	ASS.CANNOTTO+NUCLEO FISSO OLAB 6	ASS.CANNOTTO+NUCLEO FISSO OLAB 6
36	11035346	ASS.NUCLEO+FONDELLO+MOLLA OLAB 6	CORE+BOTTOM+SPRING OLAB 6056/901	CORE+BOTTOM+SPRING OLAB 6056/901	ASS.NUCLEO+FONDELLO+MOLLA OLAB 6	ASS.NUCLEO+FONDELLO+MOLLA OLAB 6
37	11035345	EV.2VIE INOX TEA OLAB K06056-EG	EV 2VIE INOX TEA OLAB K06056-EG	EV 2VIE INOX TEA OLAB K06056-EG	EV 2VIE INOX TEA OLAB K06056-EG	EV.2VIE INOX TEA OLAB K06056-EG
38	11035344	BOBINA H 24VDC 7W ED100% OL.6000	COIL H 24VDC 7W ED100% OLAB 6000	ISOLANT CHAUDIERE	BOBINA H 24VDC 7W ED100% OL.6000	BOBINA H 24VDC 7W ED100% OL.6000
39	11035343	ISOLANTE PERIMETR. CALDAIA 300CC	COFFEE BOILER 600CC UPPER ISOLAT	ISOLANT CHAUDIERE	ISOLANTE PERIMETR. CALDAIA 300CC	ISOLANTE PERIMETR. CALDAIA 300CC
40	11030779	"RACCORDO 1/8" CONICO A 90° OTT/T"	"TEA/BRESS CONNECTOR 1/8" CONICAL"	"RACCORD CONIQUE 1/8" 90°	"RACCORDO 1/8" CONICO A 90° OTT/T"	"RACCORDO 1/8" CONICO A 90° OTT/T"
41	9181.348	ELETTROVALVOLA ODE 3 VIE 24V DC	ELECTROVALVE ODE 3 WAYS 24V DC	ELECTROVANNNE ODE 3 VOIES 24V DC	ELETTROVALVOLA ODE 3 VIE 24V DC	ELETTROVALVOLA ODE 3 VIE 24V DC
42	11032408	ISOLANTE SUP.CALDAIA 300CC VENDI	COFFEE BOILER 600CC UPPER ISOLAT	ISOLANT CHAUDIERE	ISOLANTE SUP.CALDAIA 300CC VENDI	ISOLANTE SUP.CALDAIA 300CC VENDI
43	11030777	ASS.CALDAIA 300CC 230V JEEG	BOILER 300CC 230V JEEG	BOILER 300CC 230V JEEG	ASS.CALDAIA 300CC 230V JEEG	ASS.CALDAIA 300CC 230V JEEG
44	11034182	ASS.TUBO TEFLON 4X2 L.130	TUBE TEFLON 4X2 L.130	JOINT OR 2015 SILICONE ROUGE	ASS.TUBO TEFLON 4X2 L.130	ASS.TUBO TEFLON 4X2 L.130
45	11034274	OR 2015 SILICONE PTFE/FDA	OR 2015 SILICONE PTFE/FDA	JOINT OR 2015 SILICONE ROUGE	OR 2015 SILICONE PTFE/FDA	OR 2015 SILICONE PTFE/FDA
46	140328059	FORCELLA X TUBO D=4 INOX	SS FORK FOR TUBE D=4	AGRAFE TUYAU	FORCELLA X TUBO D=4 INOX	FORCELLA X TUBO D=4 INOX
47	9011.144	GOMMINO SUPPORTO MACININO	RUBBER GRIND SUPPORT	GOMME SUPPORT MEULE	GOMMINO X MACINACAFFE'	GOMMINO X MACINACAFFE'
48	18.13.046.050	VITE TCB M4X16 ZN-B	ZN-B TCB SCREW M4X16	VIS TCBM4X16UNI7687ZNP	VITE TCB M4X16 ZN-B	VITE TCB M4X16 ZN-B
49	12002052	ROSETTA PIANA 4.3X8 UNI 1749 ZNP	PLAIN WASHER 4.3X8 UNI 1749 GAL	RONDELLE D'ECARTEMENT	ROSETTA PIANA 4.3X8 UNI 1749 ZNP	ROSETTA PIANA 4.3X8 UNI 1749 ZNP
50	U203.001	DISTANZIALE X GOMMINO	SPLACER FOR RUBBER	RONDELLE D'ECARTEMENT	DISTANZIALE X GOMMINO	DISTANZIALE X GOMMINO
51	9141.003	GOMMINO X MACINACAFFE'	RUBBER FOR COFFEE GRINDER	SILENT BLOC CAFE MOULU	GOMMINO X MACINACAFFE'	GOMMINO X MACINACAFFE'
52	9991.005	ASS.MOTORE MACINACAFFE' 220/230V	ASS.MOTOR FOR COFFEE GRIND 220/2	ASS.MOTEUR POUR CAFE 220/230V 5P	ASS.MOTORE MACINACAFFE' 220/230V	ASS.MOTORE MACINACAFFE' 220/230V
53	11009741	SPAZZOLA MOTORE MACINACAFFE'	MOTOR BRUSH	BROCHE DE MOTEUR	SPAZZOLA MOTORE MACINACAFFE'	SPAZZOLA MOTORE MACINACAFFE'
54	0701.R34	VITE TCBC M3.0X18 UNI 7687 ZNP	screw TCBC M3.0X18 UNI 7687 GALV	VIS TCBC M3.0X18 UNI 7687 ZNP	Kohle Mahlwerkmotor	VITE TCBC M3.0X18 UNI 7687 ZNP
55	U208.002	ROSETTA DENT. 3.3X5.8 UNI 3703 Z	TOOTHED WASHER 3.3X5.8 UNI 3703	RONDELLE DENT. 3.3X5.8 UNI 3703	Federschraube M3x18 DIN 7985 ve	ROSETTA DENT. 3.3X5.8 UNI 3703 Z
56	U208.023	BOCCOLA X GHIERA REGOLAZ.MACINAC	BUSH	BUSH	FEDERRING 3.3X5.8	BOCCOLA X GHIERA REGOLAZ.MACINAC
57	11032110	GHIERA REGOL.MACININE 1813.103.A20	GRIND NUT OF GRIND REGULATION	RING NUT OF GRIND REGULATION	GHIERA REGOL.MACININE 1813.103.A20	GHIERA REGOL.MACININE 1813.103.A20
58	1813.045.A20	SUPPORTO MACININO	GRIND SUPPORT	SUPPORT OF	SUPPORTO MACININO	SUPPORTO MACININO
59	U701.011	ANELLO ELASTICO 5 UNI 7434 ACC.	STEEL SNAP RING 5 UNI 7434	ANNEAU	ANELLO ELASTICO 5 UNI 7434 ACC.	ANELLO ELASTICO 5 UNI 7434 ACC.
60	1813.097.A20	DISTANZIALE X MACINACAFFE' H=11.	SPACER	ENTRETOISE	DISTANZIALE X MACINACAFFE' H=11.	DISTANZIALE X MACINACAFFE' H=11.
61	11025660	GUARNIZ. TRAMOGG.DOS.CAF.MACIN.VE	SEAL HOPPER GROUND COFF.DOSER VE	GARNITURE DOSEUR CAFE	GUARNIZ. TRAMOGG.DOS.CAF.MACIN.VE	GUARNIZ. TRAMOGG.DOS.CAF.MACIN.VE
62	9141.008	VITE DI REGOLAZIONE MANOPOLA	KNOB ADJUSTMENT SCREW	VIS DE ANNEAU DE REGLAGE	VITE DI REGOLAZIONE MANOPOLA	VITE DI REGOLAZIONE MANOPOLA
63	140321560	OR 3187 NBR	O-RING 3187 NBR	JOINT NBR 3187	OR 3187 NBR	OR 3187 NBR
64	140321550	MACINA X MOTORE TIPO BATTISTINI	GRINDER FOR MOTOR TYPE BATTISTIN	VIS D'ENTRAINEMENT CAFE	MACINA X MOTORE TIPO BATTISTINI	MACINA X MOTORE TIPO BATTISTINI
65	126520119	VITE DI INCREMENTO MC IN OTTONE	BRASS NCREMENT SCREW MC	VIS D'INCREMENT CAFE	VITE DI INCREMENTO MC IN OTTONE	VITE DI INCREMENTO MC IN OTTONE
66	9141.001	VITE TCBC M3.0X8 UNI 7687 ZNP	screw TCBC M3.0X8 UNI 7687 GALV.	VIS TCBCM3X8UNI 7687 ZNP	VITE TCBC M3.0X8 UNI 7687 ZNP	VITE TCBC M3.0X8 UNI 7687 ZNP
67	U043.007	VENTOLINA	FAN	SUPPORT DE MEULE	Mahlschleibe SA, VE	VENTOLINA
68	9141.002	ASS.MOTORE CON CALOTTA 230V	MOTOR ASS.WITH CAP 230V	MOTEUR MOUTURE 500	Ass.Motore	ASS.MOTORE CON CALOTTA 230V
69	9140.002.00A				Mahlwerkmotor 230V 50/60Hz	

N.POSI COD	I - DESCRIZIONE	UK - DESCRIPTION	F - DESCRIPTION	D - BEZEICHNUNG	E - DESCRIPCION
70	1813.159 1813.104.A20	ANTIVIBRATION RUBBER ADJUSTMENT SCREW WITH TUBE HOLDE	SILENT BLOC VIS DE REGLAGE	Schwingungsdämpfer aus Gummi Gewindestift zu Mahlwerk kpl.	GOMMINO ANTIVIBRAZIONE VITE REGOLAZIONE MACCHINO
71	U044.022	micro TSPC M5,0X8 UNI 7688 GALV.	VIS TSPC M5,0X8 UNI 7688 GALV.	Linsenschraube M4x25 DIN 965 ver	VITE TSPC M4,0X25 UNI 7688 ZNP
72	11034388	COFFEEE GRIND JEEG	COFFEEE GRIND JEEG	COFFEEE GRIND JEEG	ASS. MACINACAFFE' JEEG
73	11034257	ASS.RATIOMOTOR FOR DA 230V FS400	MOTEUR REDUC.C.PLT 230V 50Hz 1 MI	MOTEUR REDUC.C.PLT 230V 50Hz 1 MI	ASS.MOTORIDUTTORE JEEG 230V 1 MI
74	U110.004	screw AUT.TCB 3.5X6.5 DIN 7981 F	VIS AUT.TCB 3.5X6.5 DIN 7981 F	Schraube 3,5X6,5 DIN7981F	VITE AUT.TCB 3.5X6.5 DIN 7981 F
75	1813.A10.A2A	DOSEUR ASS. 6-11 GR.	DOSEUR	Dosierler kpl. 6-11gr 230V kpl.	ASS.DOSATORE 6-11 GR.
76	12002151	TSP SCREW M3X4 UNI 7688 SS	VIS TSP M3X4 UNI 7688 SS	Senkschraube M3x4 DIN 965 INOX	VITE TSP M3X4 UNI 7688 INOX
77	1813.042.A20	DISPENSER PALLET	PALETTE DOSEUR	Klappe zu Dosierer	PALETTA DOSATORE
78	9121.235.00A	ELECTROMAGNET FOR DISPENSER WITH DISPENSER SHELL	ELECTROAIMANT DOSEUR CAFE SG200	Elektromagnet Dosierer 230V mit Gehäuse zu Dosierer	ELETTROM. PER DOSATORE CON NUCLE GUSCIO DOSATORE
79	1813.040.A20	PIN FOR DISPENSER REGULATION	CARTER DE DOSEUR	Boizen zu Elektromagnet	PERNO X REGOLATORE DOSATORE
80	1813.092	DISPENSER REGULATION	AXE ELECTROAIMANT	Einsteilvorrichtung zu Dosierer	REGOLATORE DOSATORE
81	1813.043.A20	ADJUSTMENT LEVER	DOSEUR	LEVIA REGOLAZIONE	LEVA REGOLAZIONE
82	1813.078.A20	PALLET FOR REGULATION	PLAQUE	Trichter zur Einsteilvorrichtung	PALETTA X REGOLATORE
83	1813.044.A20	MALE TONGUE PLAIN 6.3 D.5.2	LANGUETTE 6.3 D.5.2	Schutzleiteranschluss zu Schraube	LINGUETTA MASCHIO PIANA 6.3 D.5.
84	NE15.003	WASHER UNI 8842 A4 BURNISHED	RONDELLE UNI 8842 A4	Fächerschleibe A4, 3, DIN 6798 verz	ROSETTA UNI 8842 A4 BRUNITA
85	128310404	TCB SCREW M3X4 UNI 7687 ZNP	TCB SCREW M3X4 UNI 7687 ZNP	Blechtschraube TCB M3x4 UNI 7687	VITE TCB M3X4 UNI 7687 ZNP
86	129821402	SPRING FOR ELECTROMAGNET	RESSORT ELECTROAIMANT	Feder zu Elektromagnet Dosierer	MOLLA X ELETTROMAGNETE DOSATORE
87	1813.127	microswitch + WHEEL	MICROCONTACT	Mikroschalter zu Schwimmer	MICROINTERRUTTORE C/ROTELLA
88	NE05.062	screw AUT.PT.TCB 3.0X16 WN 1441	VIS AUT.PT.TCB 3.0X16 WN 1441	Spax-Schraube 3x16 DIN 7981 verz	VITE AUT.PT.TCB 3.0X16 WN 1441 Z
89	U116.004	SCREW AUT.TCB 2.9X25 DIN 7981 C	VIS TCB 2.9X25 DIN 7981 C	Schraube 2,9X25 DIN7981 NIK	VITE AUT.TCB 2.9X25 DIN 7981 C N
90	12000390	DISPENSER COVER	COVERCLE DOSEUR	Abedeckung zu Dosierer	COPERTURA DOSATORE
91	1813.191.A20	OUTSIDE SHELL DISPENSER	CARTER EXTERIEUR DE DOSEUR	Gehäuse zu Dosierer extern	GUSCIO ESTERNO DOSATORE
92	1813.041.A20	CAM FOR RATIOMOTOR 1 MICRO	CAME MOTEUR REDUC.1 MICRO	Exzentrerschleibe Antriebsmotor	CAMMA X MOTORIDUTTORE 1 MICRO
93	9991.037	TCB SCREW M4X10 UNI 7687 ZNP	VIS TCB M4X10 UNI 7687 ZNP	Schraube M4x10	VITE TCB M4X10 UNI 7687 ZNP
94	129824002	nut HEXAGONAL M3 UNI 5588	ECROU M3 UNI 5588 ZNP	Mutter M3	DADO ESAGONALE M3 UNI 5588 ZNP
95	U302.002	MICROSWITC CHERRY D419Q1A	MICRO INTERRUPTEUR CROUZET	Mikroschalter Getriebemotor Cris	MICROINTERRUTTORE CROUZET
96	NE05.066	CARD FOR MICRO SWITCHES	PLAQ.SUPPMICRO INTERRUPT	Isolationsschleibe	CARTONCINO X MICROINTERRUTTORE
97	9991.014	RATIOMOTOR 30 PACK 230/240-50	MOTEUR REDUCTEUR	Getriebemotor 230/240-50	MOTORIDUTTORE IN PLASTICA PACCO30 23
98	11032817	TCB SCREW M4X25 UNI 7687 ZNP	VIS TCB M4X25 7687	Linsenschraube M4x25 DIN 7985 ve	VITE TCB M4X25 UNI 7687 ZNP
99	129825502	SCREW TCB 2.9X6.4 DIN 7981 BZ NI	VIS TCB 2.9X6.4 UNI 7981 BZ NICK	Blechtschraube 2,9X6,4 NI	VITE TCB 2.9X6.4 DIN 7981 BZ NIK
100	129511903	CENTRAL UNIT MOTOR STEEL CARTER	CENTRAL UNIT MOTOR STEEL CARTER	CENTRAL UNIT MOTOR STEEL CARTER	SQUADRETTA RIPARO MOTORID.JEEG B
101	11034255	PLATE FOR MICRO	PLAQUETTE MICRO INTERRUPT	Montageblech für Mikroschalter	PIASTRINA X MICRO
102	9991.015	screw TCI M3,0X20 UNI 6107 GALV.	VIS TCI M3,0X20 UNI 6107 GALV.	Linsenschbr. M3x20 DIN 84 verz.	VITE TCI M3,0X20 UNI 6107 ZNP
103	U034.003	JOINT FOR RATIOMOTOR	PIGNON MICRO REDUCTEUR	Kupplung GServiceiehemotor P5 A	GIUNTO X MOTORIDUTTORE
104	9991.013	SCREW TGBD TORX 2.0 M4X12 ZN-B	VIS TGBD TORX 2.0 M4X12 ZN-B	Schraube 3,5x48x28 TORX	VITE TGBD M4X12 ZN-B
105	12002039	CURVED WASHER 4.3X8 UNI 8840A B	RONDELLE 4.3X8 UNI 8840A BRU	Fächerschleibe 4, 3x8 UNI 8840A BR	ROSETTA CURV.4.3X8 UNI 8840A BRU
106					
107					
108					



N.POSI COD	I - DESCRIZIONE	UK - DESCRIPTION	F - DESCRIPTION	D - BEZEICHNUNG	E - DESCRIPCION
1	11034179 ASS.CABLAGGIO PORTA	DOOR HARNESS	DOOR HARNESS	DOOR HARNESS	ASS.CABLAGGIO PORTA
2	11033318 POWER PHEdra EVO	POWER PHEdra EVO	PLATINE PUISSANCE PHEdra EVO	POWER PHEdra EVO	POWER PHEdra EVO
3	9111.402 Distanziale X SCHEDA	SPACER FOR CARD	ENTRETOISE PLATINE	Halterung	Distanziale X SCHEDA
4	NE01.050 CAVO SCHUKO CON SPINA EN60320 C1	CABLE ARGENTINA + PLUG EN60320 C	CORDON ALIMENTATION	Anschlusskabel Argentinien	CAVO SCHUKO CON SPINA EN60320 C1
5	NE01.093 CAVO AL-ARGENT.C/SPINA EN60320 C	CABLE ARGENTINA + PLUG EN60320 C	NON UTILISEE PAR LA FRANCE ET LE	Anschlusskabel Deutschland	BLACK POWER CABLE BRAZIL L=1200
6	17800019 CAVO AL-BRA.3X1 10AV2 NER.L=1200	BLACK POWER CABLE BRAZIL L=1200	CABLE POUR LA FRANCE ET LE	Kabel 3X1 10AV2 NER.L=1200	BLACK POWER CABLE BRAZIL L=1200
7	NE01.051 CAVO SVIZZERA CON SPINA EN60320	CABLE SWITZERLAND WITH PLUG EN60	CABLE POUR LA SUISSE EN603	Anschlusskabel Schweiz	PIASTRA FISSAGGIO ALIMENTATORE J
8	11034151 PIASTRA FISSAGGIO ALIMENTATORE J	FIXING PLATE FOR POWER SUPPLY JE	FIXING PLATE FOR POWER SUPPLY JE	FIXING PLATE FOR POWER SUPPLY JE	PIASTRA FISSAGGIO ALIMENTATORE J
9	NE03.038 INT.BIPOL.FUSIT C1250AR	BIPOLAR SWITCH FUSIT C1250AR	INTERRUPTEUR BIPOLAIRE	Schalter Ein/Aus MA-RD	INT.BIPOL.FUSIT C1250AR
10	187850400 PRESA AUTOBLOCC.TRIPOLO OCS LAVA	TRIPOLE SOCKET SELF-LOCKING	SOCLE DE PRISE	Stecker OCS	PRESA AUTOBLOCC.TRIPOLO OCS LAVA
11	U110.004 VITE AUT.TCB 3.5X6.5 DIN 7981 F	screw AUT.TCB 3.5X6.5 DIN 7981 F	VIS AUT.TCB 3.5X6.5 DIN 7981 F	Schraube 3.5X6.5 DIN7981 F	VITE AUT.TCB 3.5X6.5 DIN 7981 F
12	12002120 ALIMENTATORE DELTA PMT-24V-150W-1A	SWITCHING DELTA PMT-24V-150W-1A	SWITCHING DELTA PMT-24V-150W-1A	SWITCHING DELTA PMT-24V-150W-1A	ALIMENTATORE DELTA PMT-24V-150W-1A
13	U324.005 DADO M3 FLANGIATO BASE DENTELLAT	NUT M3 FLANGED INDENTED BASE	ECROU	Mutter M3 mit Flansch	DADO M3 FLANGIATO BASE DENTELLAT
14	12002070 "DISPLAY 2,4"****	"DISPLAY 2,4"****	"DISPLAY 2,4"****	"DISPLAY 2,4"****	"DISPLAY 2,4"****
15	11009350 FLAT CABLE 14 PIN KEYBOARD/CPU	14 POLES FLAT CABLE KEYBOARD/CPU	CABLE PLAT.14 FILS KEYBOARD/CPU	FLACHBANDKABEL 14-POL./ KEYBOARD	FLAT CABLE 14 PIN KEYBOARD/CPU
16	AS.CPU+SW JEEG	CPU+SW AS.JEEG	PLATINE CPU JEEG	Steuerplatine + SW kpl. JEEG	AS.CPU+SW JEEG
17	11034306 AS.CPU+SW IPERAUTOMATICA NO PAYM	CPU+SW AS.IPERAUTOMATICA NO PAYM	AFFICHEUR CPU IPERAUTOMATICA NO	Steuerplatine + SW kpl.IPERAUTOM	AS.CPU+SW IPERAUTOMATICA NO PAYM
18	11009487 FLAT CABLE 24 PIN DISPLAY	FLAT CABLE 24 POLES DISPLAY	CABLE PLAT.24 FILS	FLACHBANDKABEL 24-POL./DISPLAY	FLAT CABLE 24 PIN DISPLAY
19	11008194 SCHEDA KBD MECCANICA DA5P-2007	MECH KEYBOARD DA5P-2007	CLAVIER DA5P-2007	TASTATUR	SCHEDA KBD MECCANICA DA5P-2007
20	12002250 Distanziale SP.2 DE.7 DI.5 CF.VI	SPACER SP.2 DE.7 DI.5 CF.VI1584	CALE SP.2 DE.7 DI.5 CF.VIC15840	Halterung SP.2 DE.7 DI.5 CF.VI1	Distanziale SP.2 DE.7 DI.5 CF.VI
20	11010937 FOGLIO PVC X TASTIERA 5P07	PVC SHEET FOR 5P07 KEYBOARD	FEUILLE PVC DE CLAVIER	FOGLIO PVC X TASTIERA 5P07	FOGLIO PVC X TASTIERA 5P07
20	11034093 VETRINO DISPLAY JEEG	DISPLAY GLASS JEEG	DISPLAY GLASS JEEG	DISPLAY GLASS JEEG	VETRINO DISPLAY JEEG



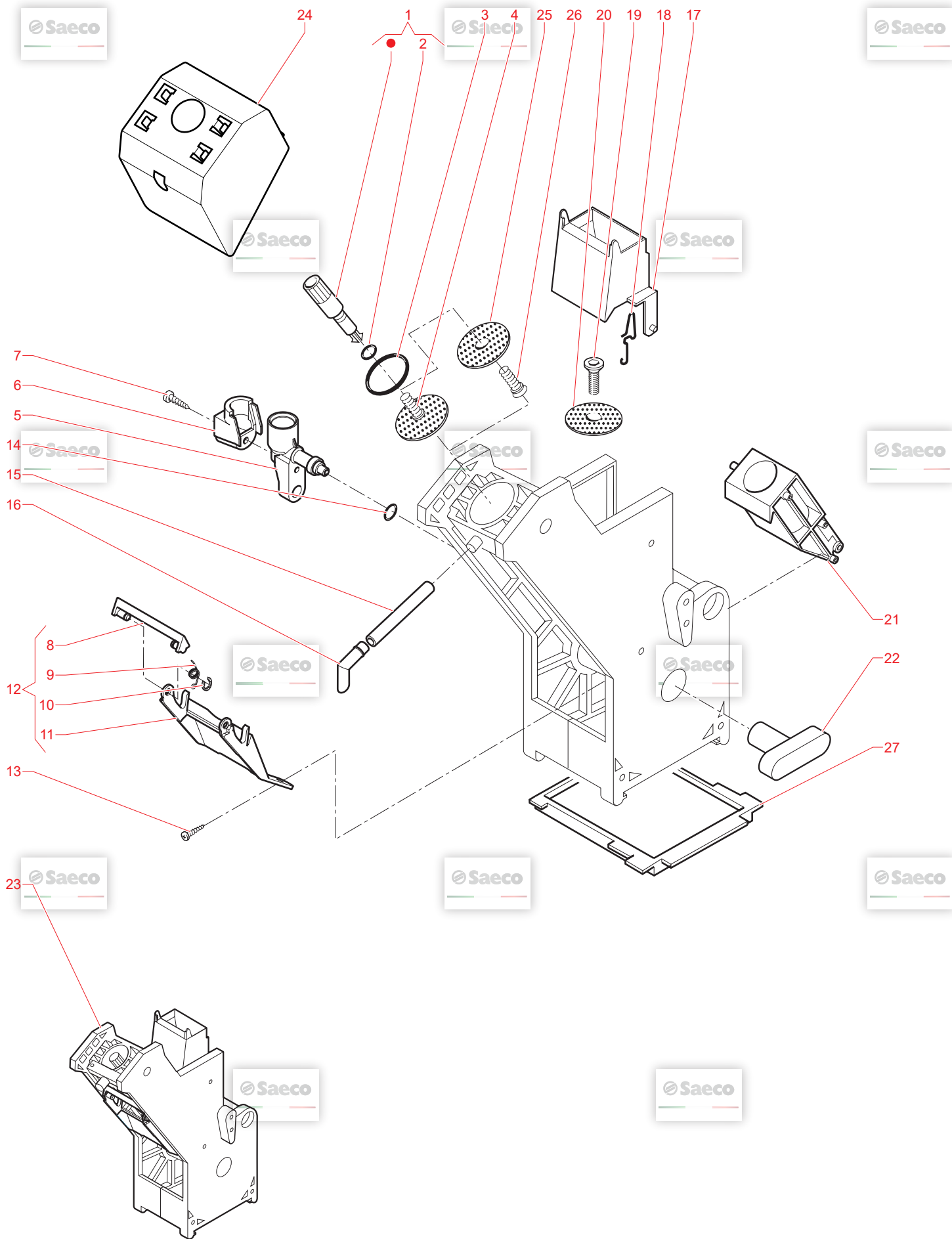
Iperautomatrica

14/02/2019

09

E019.047

© by Saeco, a company of Evoca Group - GAGGIO MONTANO



N.POSI	COD	I - DESCRIZIONE	UK - DESCRIPTION	F - DESCRIPTION	D - BEZEICHNUNG	E - DESCRIPCION	NOTE
1	9169.A14.060	ASS.PERNO X DOCCIA COMPLETO MARR	PIN FOR PERCOLATOR BROWN	AXE DE GRILLE	Boizen kplf. zu Sieb	ASS.PERNO X DOCCIA COMPLETO MARR	
2	NM02.006	OR R5 TERMOIL	OR R5 TERMOIL	JOINT R5 EPDM	O-Ring R5 Siebhalterung alle Cer	OR R5 TERMOIL	
3	140322061	OR 4112 EPDM	O-RING 4112 EPDM	JOINT 4112	O-Ring 4112 EPDM	OR 4112 EPDM	
4	324000100	DOCCIA AC. INOX D=34 CON VITE	SS PERCOLATOR D=34 SCREW FOR UNI	GRILLE SUPERIEURE	Sieb mit Gewindestift ø34 bis Se	DOCCIA AC. INOX D=34 CON VITE	
5	11005371	MANICOTTO GRUPPO CAFFE	UNIT COFFEE MUFF	PIPETTE DE GROUPE	Wassereinlastritzen BG C600	MANICOTTO GRUPPO CAFFE	
6	11010013	CARTER X MANICOTTO GRUPPO PRERIS	CARTER FOR MUFF PREHEATING UNIT	CARTER DE SORTIE PIPE TTE GROUPE	Schraube 2,9X13 LAMIERA INOX	CARTER X MANICOTTO GRUPPO PRERIS	
7	129512921	VITE TCB AB 2,9X13 LAMIERA INOX	SCREW TCB TORX 10 AB 2,9X13 SHEE	VIS TCB TORX 10 AB 2,9X13 SS	Abdeckung Kaffeelauf	VITE TCB AB 2,9X13 LAMIERA INOX	
8	9111.537.060	RASCHIATORE GRUPPO CAFFE MARRONE	BROWN SCRAPER COFFEE GROUP	RACLETTE GROUPE CAFE	Trichter Brühergruppe	RASCHIATORE GRUPPO CAFFE MARRONE	
9	9111.520	MOLLA X RASCHIATORE SEZIONE 0.6	SPRING FOR SCRAPER SECTION 0.6	RESSORT POUR RACLETTE	Feder für Abstreifer BG P500N	MOLLA X RASCHIATORE SEZIONE 0.6	
10	U701.006	ANELLO ELASTICO 3.2 UNI 7434	SNAP RING 3.2 UNI 7434	ANNEAU ELASTIQUE	Sicherungsring ø3,2 elastisch	ANELLO ELASTICO 3.2 UNI 7434	
11	9111.539.060	FORCELLA PER RASCHIATORE	FORK FOR SCRAPER	FOURCHE POUR RACLETTE	Gabel zu Trichter	FORCELLA PER RASCHIATORE	
12	9110.067.060	ASS.RASCHIATORE X SG500/700	SCRAPER ASS.FOR CAPPUCINAT. TUB	RACLETTE CCOMPLET	Abstreifer kplf. Brühergruppe SG	ASS.RASCHIATORE X SG500/700	
13	U110.013	VITE AUT.TCB 3,9X6,5 DIN 7981 F	screw AUT.TCB 3,9X6,5 DIN 7981 F	VIS .TCB 3,9X6,5 DIN 7981 F NIK	Schraube 3,9X6,5	VITE AUT.TCB 3,9X6,5 DIN 7981 F	
14	140321462	OR 2018 SILICONE	O-RING 2018 SILICONE	JOINT 2018	O-Ring 2018 Silikon	OR 2018 SILICONE	
15	9972.057	TUBO SILICONE 5X8 L.2000MM	SILICONE TUBE 5X8 L.2000MM	TUBE SILICONE MARRON L2M 5X8	Siliconschlauch 5x8, l=2mtr., bra	TUBO SILICONE MARRON 5X8 L.2000	
16	1813.109.050	UGELLO	NOZZLES	BEC DE SORTIE COUDE	Schlauchanschlusswinkel SG200 FW	UGELLO	
17	322001201	RASCHIATORE MOBILE MARRON TYP ST	MOBILE SCRAPER BROWN NARROW	RECEPTACLE MOUTURE DIGITAL	Trichter Brühergruppe SA, P-Geräte	RASCHIATORE MOBILE MARRON TYP ST	
18	9161.425	MOLLA X TRAMOGGIA	SPRING FOR SCRAPER	RESSORT DE TREMIS	Federbügel zu Trichter	MOLLA X TRAMOGGIA	
19	129851921	VITE TSP M3X6 UNI 7688 INOX	TSP SCREW M3X6 UNI 7688 SS	VIS TSP M3X6 UNI 7688	Senkschraube M3x6 DIN 965 INOX	VITE TSP M3X6 UNI 7688 INOX	
20	324000200	DOCCIA AC. INOX D=34 X GRUPPO	SS PERCOLATOR D=34 FOR UNIT	GRILLE INFERIEURE	Sieb ø34	DOCCIA AC. INOX D=34 X GRUPPO	
21	222711101	AS. CONT.CAF. MAC.D=36	BROWN GROUND COFF CONTAINER D=36	CHAMBRE GROUPE CAFE	Brühkammer braun	AS. CONT.CAF. MAC.D=36	
22	9161.021.060	CHIAVE X GRUPPO CAFFE' MARRON	KEY FOR BREW UNIT BROWN	CLE DE GROUPE CAFE	Einstellschlüssel für Brühinheit	CHIAVE X GRUPPO CAFFE' MARRON	
23	11023330	GRUPPO CAFFE' 7GR DOCCIA	BREW UNIT 7 GRAMS	GROUPE CAFE 7GR HS2	Brühgruppe 7g	GRUPPO CAFFE' 7GR DOCCIA	
24	11013053	CARTER X GRUPPO CAFFE	CARTER FOR DOSER UNIT	PROTECTION GROUPE CAFE	Abdeckung Brühergruppe	CARTER X GRUPPO CAFFE	
25	11012630	DOCCIA ELFO D.34	PERCOLATOR D.34	GRILLE INFERIEUR D.34	Sieb Brühergruppe oben d=34	DOCCIA ELFO D.34	
26	129852821	VITE TSP M3X14 UNI 7688 INOX	TSP SCREW M3X14 UNI 7688 SS	VIS TSP M3X14 UNI 7688 SS	Senkkopfschraube 3x10	VITE TSP M3X14 UNI 7688 INOX	
27	9161.020.060	PIATTINO X GRUPPO CAFFE MARRON	PLATE FOR COFFEE UNIT BROWN	RECUPERATEUR CAFE	Puiverauffangschale Brüherg. brau	PIATTINO X GRUPPO CAFFE MARRON	



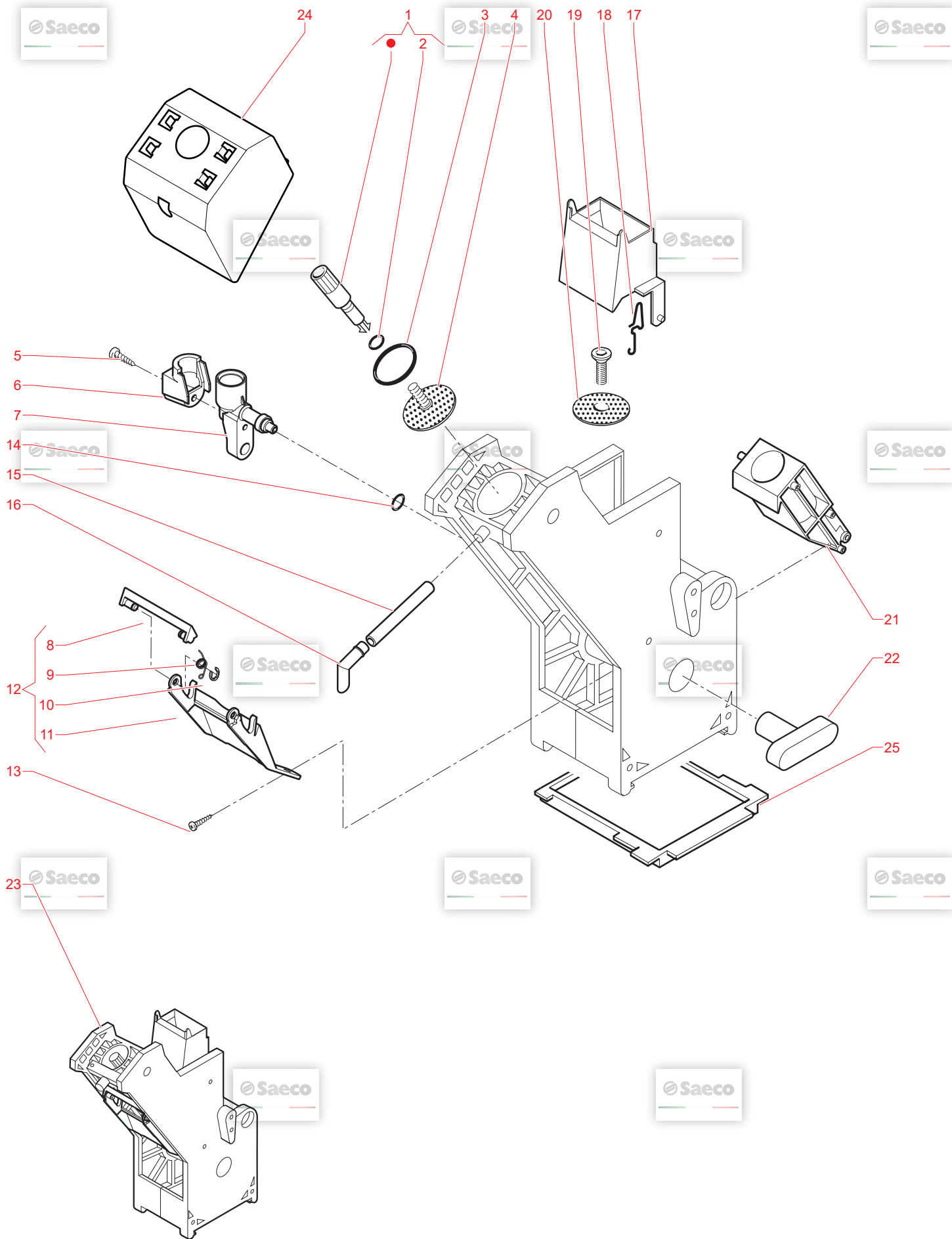
Iperautomatica

14/02/2019

10

E019.047

© by Saeco, a company of Evoca Group - GAGGIO MONTANO



N.POSI COD	I - DESCRIZIONE	UK - DESCRIPTION	F - DESCRIPTION	D - BEZEICHNUNG	E - DESCRIPCION
1	9169.A14.150	PIN FOR PERCOLATOR GREY	AXE BLOAGE GRILLE SUP GRIS	Rändelpahnmutter grau	ASS.PERNO X DOCCIA COMPLETO GRIG
2	NM02.006	OR R5 TERMOIL	JOINT R5 EPDM	O-Ring R5 Siebhalterung alle Cer	OR R5 TERMOIL
3	NM01.044	OR ORM 0320-40 SILICONE PTFE/FDA	JOINT OR 0320-40 SILICONE	O-RING ORM 0320-40	OR ORM 0320-40 SILICONE PTFE/FDA
4	9161.036	UPPER PERCOLATOR FOR UNIT	GRILLE SUPERIEURE	Sieb oben Brühgruppe l=15mm	DOCCIA SUPERIORE X GRUPPO
5	1295.12921	SCREW TCB TORX 10 AB 2.9X13 SHEE	VIS TCB TORX 10 AB 2.9X13 SS	Schraube 2,9X13	VITE TCB AB 2.9X13 LAMIERA INOX
6	11010013	CARTER FOR MUFF PREHEATING UNIT	CARTER DE SORTIE PIPE TTE GROUPE	Abdeckung Kaffeerauslauf	CARTER X MANICOTTO GRUPPO PRERIS
7	11005371	UNIT COFFEE MUFF	PIPE TTE DE GROUPE	Wasserlaufstutzen BG C600	MANICOTTO GRUPPO CAFFE'
8	9111.537.150	GREY SCRAPER COFFEE GROUP	RACLETTE DE GROUPE CAFÉ	Federbügel zu Trichter grau	RASCHIATORE GRUPPO CAFFE GRIGIO
9	9111.520	SPRING FOR SCRAPER SECTION 0.6	RESSORT POUR RACLETTE	Feder für Abstreifer BG P500N	MOLLA X RASCHIATORE SEZIONE 0.6
10	U701.006	SNAP RING 3.2 UNI 7434	ANNEAU ELASTIQUE	Sicherungsring ø3,2 elastisch	ANELLO ELASTICO 3.2 UNI 7434
11	9111.539.150	FORK FOR SCRAPER	FOURCHE POUR RACLETTE	Gabel zu Trichter	FORCELLA PER RASCHIATORE
12	9110.067.150	SCRAPER ASS.FOR CAPPUCCINAT. TUB	ENSEMBLE RACLETTE DE GROUPE	Federbügel+Gabel kplt. zu Tricht	ASS.RASCHIATORE X SG500/700
13	U110.013	screw AUT.TCB.3.9X6.5 DIN 7981 F	VIS .TCB 3.9X6.5 DIN 7981 F NIK	Schraube 3.9X6.5	VITE AUT.TCB 3.9X6.5 DIN 7981 F
14	140321462	O-RING 2018 SILICONE	JOINT 2018	O-Ring 2018 Silikon	OR 2018 SILICONE
15	9972.057	SILICONE TUBE 5X8 L.2000MM	TUBE SILICONE MARRON L2M 5X8	Siliconschlauch 5x8, l=2mtr.,bra	TUBO SILICONE MARRON 5X8 L.2000
16	1813.109.050	NOZZLES	BEC DE SORTIE COUDE	Schlauchanschlusswinkel SG200 FW	UGELLO
17	322001259	MOBILE SCRAPER GREY NARROW	ENTONNOIR 9GR PROFI.2	Trichter schmale Form, grau	RASCHIATORE MOBILE GRIGIO (STRET
18	9161.425	SPRING FOR SCRAPER	RESSORT DE TREMIS	Federbügel zu Trichter	MOLLA X TRAMOGGIA
19	129851921	TSP SCREW M3X6 UNI 7688 SS	VIS TSP M3X6 UNI 7688	Senkschraube M3x6 DIN 965 INOX	VITE TSP M3X6 UNI 7688 INOX
20	9161.037	LOWER PERCOLATOR FOR UNIT	GRILLE INFERIEURE	Sieb unten Brühgruppe	DOCCIA INFERIORE X GRUPPO
21	11002626	ASS. COFFEE CONTAINER GREY 9 GR.	CHAMBRE GROUPE CAFE 9GR.	Brühkammer kplt. grau 9 gr.	ASS.CONTENTITORE CAFFE'GRIGIO 9 G
22	9161.021.060	KEY FOR BREW UNIT BROWN	CLE DE GROUPE CAFE	Einstellschlüssel für Brühinheit	CHIAVE X GRUPPO CAFFE' MARRON
23	11005422	BREW UNIT 9 GRAMS	GROUPE CAFE 9GR	Brühgruppe kplt.	GRUPPO CAFFE' 9GR
24	11013053	CARTER FOR DOSER UNIT	PROTECTION GROUPE CAFE	Abdeckung Brühgruppe	CARTER X GRUPPO CAFFE'
25	9161.020.060	PLATE FOR COFFEE UNIT BROWN	RECUPERATEUR CAFE	Puerveraufangschale Brühgr. brau	PIATTINO X GRUPPO CAFFE' MARRON

NOTE   

© by Saeco, a company of Evoca Group - GAGGIO MONTANO **E019.047** **11** **14/02/2019** **Iperautomatica**

Il Costruttore si riserva il diritto di modificare, senza preavviso, le caratteristiche delle apparecchiature presentate in questa pubblicazione; declina inoltre ogni responsabilità per le eventuali inesattezze imputabili ad errori di stampa e/o trascrizione contenute nella stessa.

Le istruzioni, i disegni, le tabelle e le informazioni in genere contenute nel presente fascicolo sono di natura riservata e non possono essere riprodotte ne completamente ne parzialmente od essere comunicate a terzi senza l'autorizzazione scritta del Costruttore che ne ha la proprietà esclusiva.

The manufacturer reserves the right to modify, without prior notice, the characteristics of the equipment described in this publication; and further declines to accept any responsibility for any inaccuracies contained in this publication which can be ascribed to printing and/or transcription errors.

All instructions, drawings, tables and information contained in this publication are confidential and can neither be reproduced, completely or in part, nor be transmitted to third parties without the written permit of the Manufacturer, who has the sole ownership.

Le fabricant se réserve le droit de modifier, sans préavis, les caractéristiques des appareils présentes dans cette publication; en outre, elle decline toute responsabilité pour d'éventuelles inexactitudes imputables à des erreurs d'impression et/ou de transcription.

Tous droits de reproduction, complète ou partielle, des instructions, des dessins, des tableaux et de toutes les informations contenues dans cette publication sont réservés. Aucune communication à un tiers ne peut être faite sans une autorisation par écrit du Constructeur qui en a la propriété exclusive.

Der Hersteller behält sich das Recht vor, die Eigenschaften der hier beschriebenen Geräte ohne Voranzeige zu ändern und lehnt gleichzeitig jede Verantwortung für mögliche Unrichtigkeiten ab, die auf Druckfehler oder Abschreibfehler zurückzuführen sind.

Alle Anweisungen, Zeichnungen, Tabellen und Informationen, die im allgemeinen im vorliegenden Band enthalten sind, müssen als vertraulich betrachtet werden und können weder teilweise noch vollständig reproduziert bzw an Dritte ohne die schriftliche Ermächtigung des Herstellers weitergegeben werden, der das Alleineigentum besitzt.

El Constructorse reserva el derecho de modificar, sin previo aviso, las características de los aparatos presentados en esta publicación; además declina toda responsabilidad por los eventuales inexactitudes imputables a errores de imprenta y/o transcripción contenidos en la misma.

Las introducciones, los dibujos, las tablas y las informaciones en general contenidos en este fascículo son de tipo reservado y no se pueden reproducir, completamente o en parte, ni comunicar a terceros si la autorización escrita del Fabricante, el cual tiene la propiedad exclusiva.

