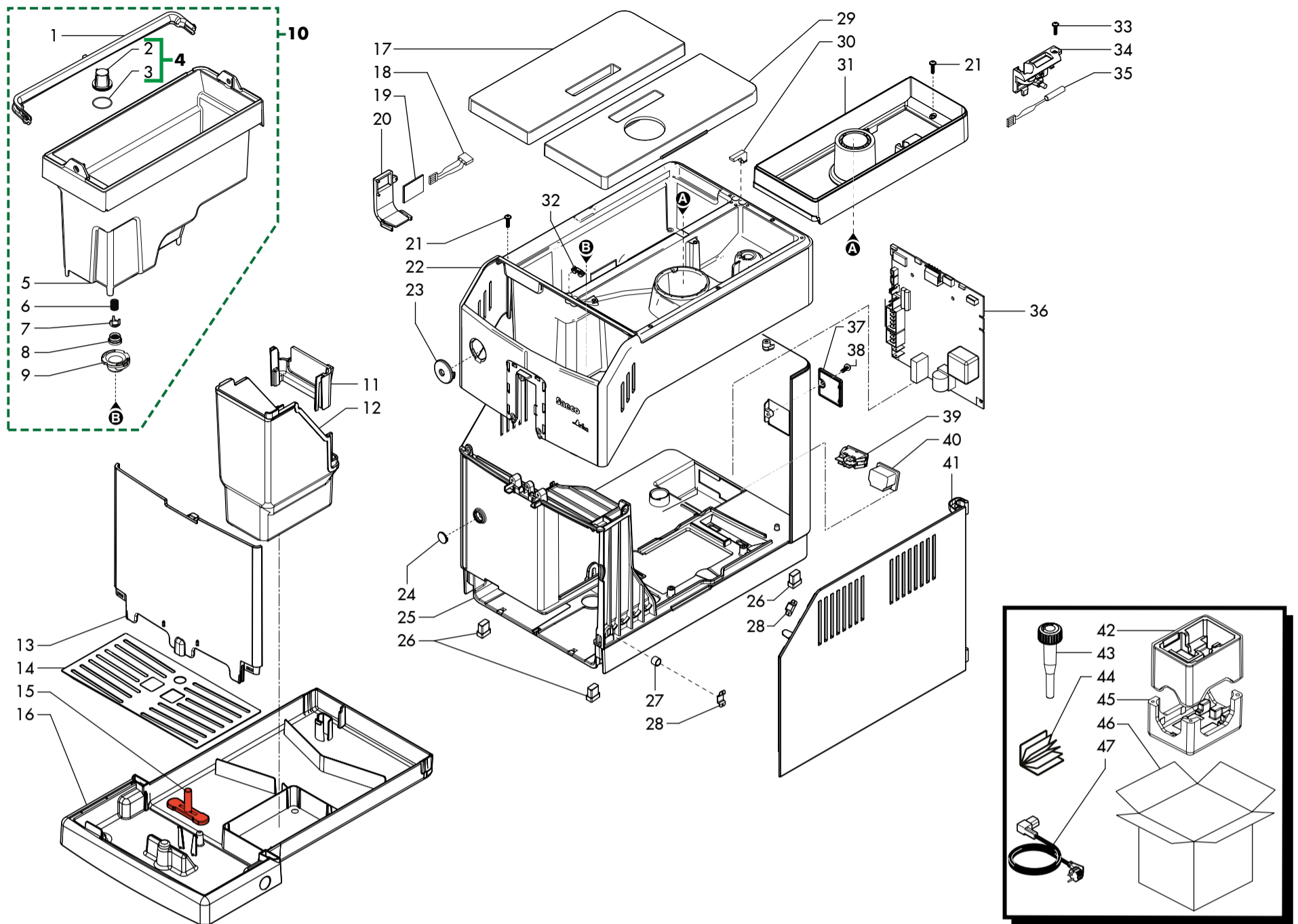


LIRIKA BASIC

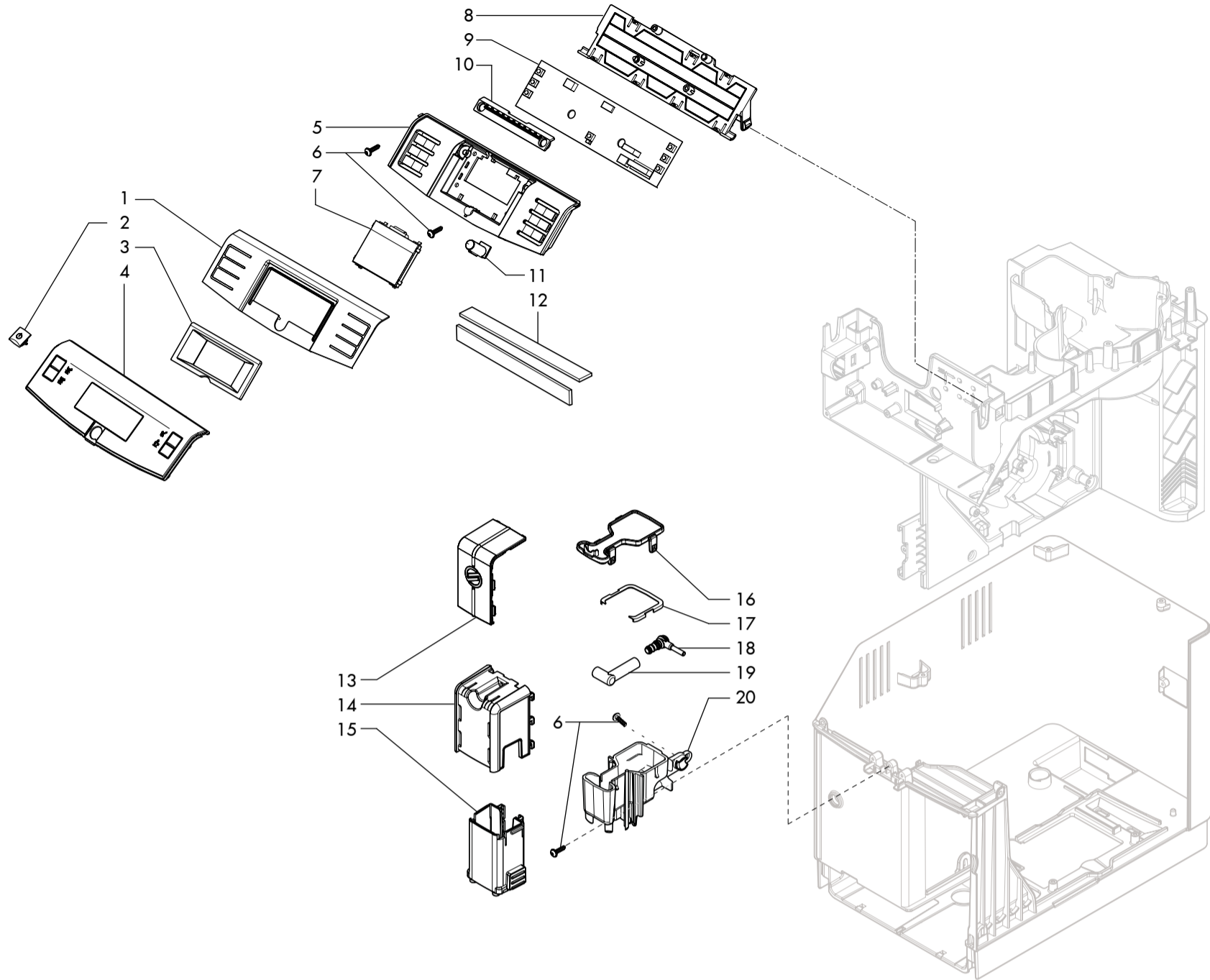
TABLE 1/6

E74193.01



| Pos. Code | Description | Note |
|-----------|--------------|---|
| 1 | 11023155 | Black Water Container Handle Mds |
| 2 | 144650800 | White Water Container Ext.Filter |
| 3 | 140328461 | Or Orm 0190-10 Epdm |
| 4 | 224640200 | White Water Container Ext.Filter Assy. |
| 5 | 421944059661 | Transp/Gry Water Container V2 Smro |
| 6 | 11003672 | Ss Spring For Water Contain.Valve P0049 |
| 7 | 421941157852 | Gry Water Container Valve Insert P0049 |
| 8 | 11003671 | Transp.Valve For Water Container P0049 |
| 9 | 17001366 | Black Lid For Duckbill Valve Smr |
| 10 | 421944060271 | Transp/Gry Water Container V2 Smro Assy |
| 11 | 421944063131 | Blk Dump Box Insert V2 Npr |
| 12 | 421944060591 | Blk Dump Box V2 Smr |
| 13 | 421944014691 | M/Blk Drip Tray Insert V2 Smr |
| 14 | 421944031791 | Ba/Ss Grate For Drip Tray Smr/B-H-P |
| 15 | 421941304791 | Red/3003 Float For Drip Tray Xsm |
| 16 | 17001568 | Matt/Black Drip Tray Smr/B-H-P |
| 17 | 17002142 | Black Water Container Lid Smro |
| 18 | 421946035161 | 3P.Conn.Water Level V2 Smr UI Assy |
| 19 | 11003232 | As.Cpu+Sw Water Level Sensor V2 |
| 20 | 17001474 | Black Water Level Sensor Support Smr |
| 21 | 12001728 | Screw Tcbr Torx 10 3,5X12 Plast.Ss |
| 22 | 421944027481 | M/Blk Upp.Casing Cover V3 S/Scr.Smro |
| 22 | 421944027501 | M/Blk Upp.Casing Cover V4 S/Scr.Smro |
| 23 | 17001025 | Matt/Black Front Panel Cap Smr |
| 24 | 11031523 | Black Infrareds Plate Ryl |
| 25 | 421944063611 | M/Blk Casing V3 Smr Assy |
| 26 | 17001556 | Transp.Silicone Foot Smr |
| 27 | 9161.111 | Magnet For Float Superaut. |
| 28 | 11013220 | Steel Plate For Door Magnet Xsm |
| 29 | 17002141 | Black Bean Coffee Container Lid Smro |
| 29 | 421944013981 | Blk Bean Cof.Cont.Lid Smro Assy. |
| 30 | 421944032481 | Back Plug Upper Cover Casing Smro |
| 31 | 421944059671 | Transp/Gry Bean Cof.Container V3 Smro |
| 32 | 421944032361 | Front Plug Upper Cover Casing Smro |
| 33 | 12000895 | Screw Tsp Torx 10 3X10 Plast.Ss |
| 34 | 421944009421 | Blk Reed Support Smro |
| 35 | 17800442 | 2Poles Connect.Sensor Reed Dump Box Cst |
| 36 | 421941302502 | Cpu+Sw V2 Smro 230V Assy. |
| 36 | 421941306521 | Cpu+Sw Smro 120V Assy. |
| 36 | 421941306621 | Cpu+Sw Smro 100V Assy. |
| 36 | 421941307781 | Cpu+Sw H2S2 230V Assy |
| 37 | 17001484 | Matt/Blk Rear Casing Program.Insert Npr |
| 38 | 129913202 | Screw Tcb Torx 10 3X8 Plast.Zn-B |
| 39 | 242212625104 | Swi Pow 2P 12A 250V Faston Gp12H B |
| 39 | 242212625106 | Swi Pow 2P 10A 250V Faston 8500 B |
| 40 | 12000280 | Cup Socket En 60320 C 13 |
| 41 | 17001065 | Matt/Black Right Side Door Smr |

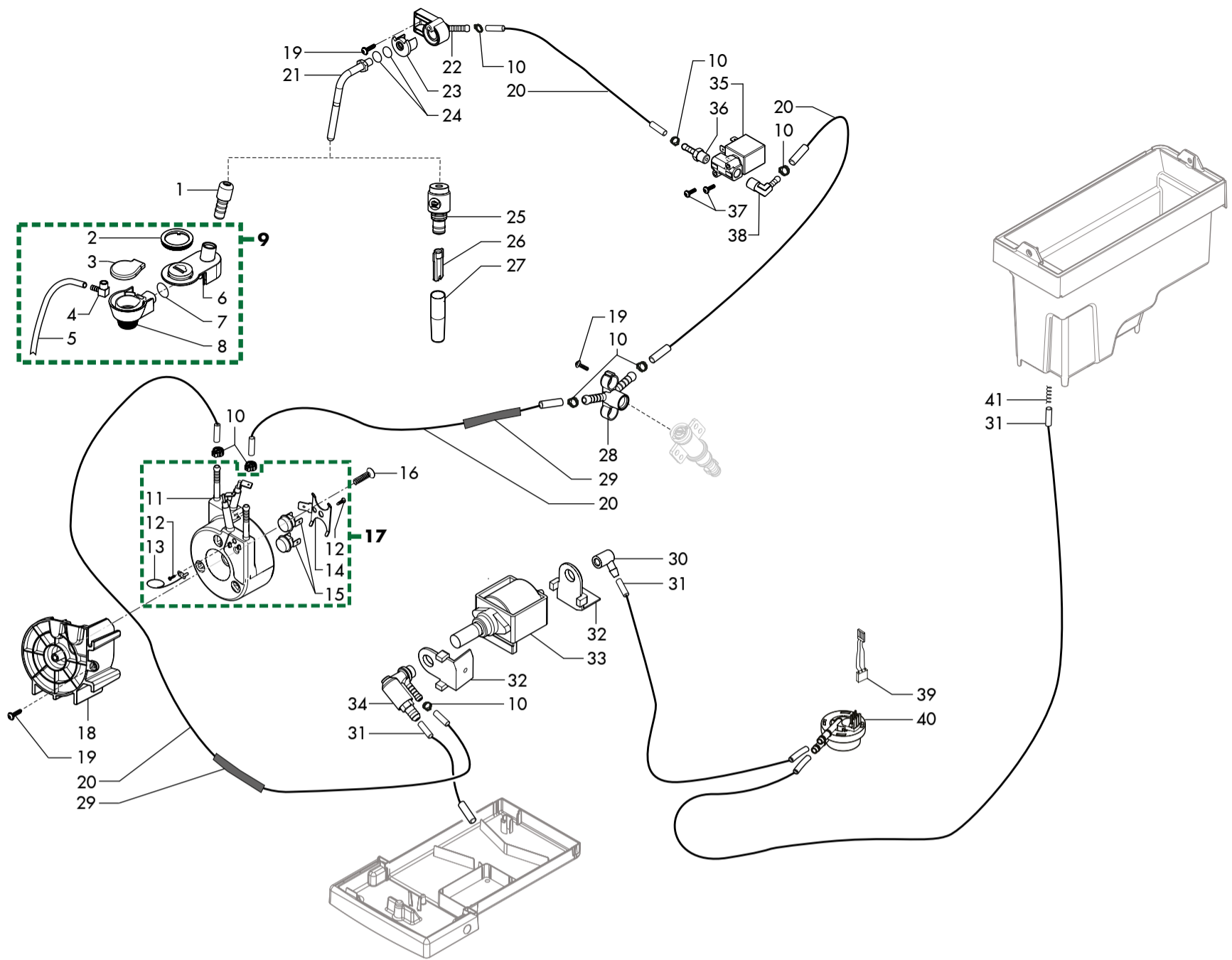
| Pos. Code | Description | Note |
|-----------|--------------|--|
| 42 | 421944055261 | Ps-E Upper Insert For Box Smrg/Te |
| 43 | 11003785 | Black Grinder Adjustment Key P0049 |
| 44 | 421944060471 | Manual Sae Ri9840 V3 Smro/B Kor |
| 44 | 421946004771 | Manual Sae Sup041 Smro/B Chn |
| 44 | 421946004781 | Manual Sae Sup041 Smro/B Bra |
| 44 | 421946005651 | Manual Sae Sup041 Smro/B Twn |
| 44 | 421946027411 | Manual Sae Ri9840 V2 Smro/B It |
| 44 | 421946027421 | Manual Sae Ri9840 V2 Smro/B Gb |
| 44 | 421946027431 | Manual Sae Ri9840 V2 Smro/B De |
| 44 | 421946027441 | Manual Sae Ri9840 V2 Smro/B Fr |
| 44 | 421946027451 | Manual Sae Ri9840 V2 Smro/B Es |
| 44 | 421946027461 | Manual Sae Ri9840 V2 Smro/B Pt |
| 44 | 421946027471 | Manual Sae Ri9840 V2 Smro/B NI |
| 44 | 421946027481 | Manual Sae Ri9840 V2 Smro/B Sv |
| 44 | 421946027501 | Manual Sae Ri9840 V2 Smro/B PI |
| 44 | 421946027511 | Manual Sae Ri9840 V2 Smro/B Ru |
| 44 | 421946027521 | Manual Sae Ri9840 V2 Smro/B Hu |
| 44 | 421946027531 | Manual Sae Ri9840 V2 Smro/B Cs |
| 44 | 421946027541 | Manual Sae Ri9840 V2 Smro/B Sk |
| 44 | 421946027551 | Manual Sae Ri9840 V2 Smro/B Ro |
| 44 | 421946027561 | Manual Sae Ri9840 V2 Smro/B Bg |
| 45 | 13001671 | Ps-E Lower Insert For Box Smr |
| 46 | 421940312311 | Wht External Box Smro Sae Lirika |
| 47 | 11001985 | Black Power Cable Korea L=1200 |
| 47 | 11004247 | Black Power Cable Rvv 3X1 China L=1200 |
| 47 | 17800024 | Black Power Cable Jappon Vctf L=1200Mm |
| 47 | 183911050 | Black Power Cable Schuko L=1200 |
| 47 | 421946041821 | Blk Power Cable Taiwan V2 Hvctf L=1200 |
| 47 | NE01.093 | Cable Argentina + Plug En60320 C13 |



| Pos. Code | Description | Note | |
|-----------|--------------|--|---------------------------|
| 1 | 421944025241 | Blk Front Panel Membrane V3 Smr/H-P-T | |
| 2 | 421944009351 | Transp.Stand-By Button S/Scr.Smro | |
| 3 | 17001270 | Black Display Frame Smr | |
| 4 | 421944009321 | Ss Display Front Panel S/Scr.Smro/B Assy | |
| 5 | 421944017321 | Blk Display Support V2 Smr/H-P-T Assy. | |
| 6 | 12000450 | Screw Tcbr Torx 10 3,5X12 Plast.Zn-N | |
| 7 | 421941300941 | Display Lcd 128X64 Smr | |
| 8 | 17000704 | Black Display Keyboard Support Smr | |
| 9 | 11030966 | Kyb - Display Smr | |
| 9 | 421941303561 | Kyb - Display Smr/P 120V | 120V |
| 10 | 17001253 | Blk Front.Panel Membrane Supp.Smr/H-P-T | |
| 11 | 17002075 | White Stand-By Button Light Guide Smr | |
| 12 | 421944008251 | Blk Adh.Aerstop Smr | |
| 13 | 421944031761 | Ba Ss Cof.Dispens.Front Plate Cover Smr | |
| 14 | 17002059 | Matt/Black Coffee Dispenser Lid Smr | |
| 15 | 421944008261 | M/Blk Cof.Dispen.Mobile Part Smr Assy. | up to s. n. TW90172028072 |
| 15 | 421944065141 | M/Blk Cof.Dispen.Mobile Part V2 Smr | from s. n. TW90172028072 |
| 16 | 421944017631 | Blk Coffee Dispenser Body Lid V3 Smr | |
| 17 | 421944017651 | Wht Coffee Dispenser Body Seal Smr | |
| 18 | 17001849 | Blk Brew Unit Coffee Outlet Connect.Smr | |
| 19 | 17000955 | Trans.Brew Unit Cof.Outlet Conn.Tube Smr | up to s. n. TW90172028072 |
| 19 | 421944065131 | Trasp.Sil.Coffee Dispenser Tube Smr | from s. n. TW90172028072 |
| 20 | 17001022 | Black Coffee Dispenser Body Smr | up to s. n. TW90172028072 |
| 20 | 421944065151 | Blk Coffee Dispenser Body V3 Smr | from s. n. TW90172028072 |

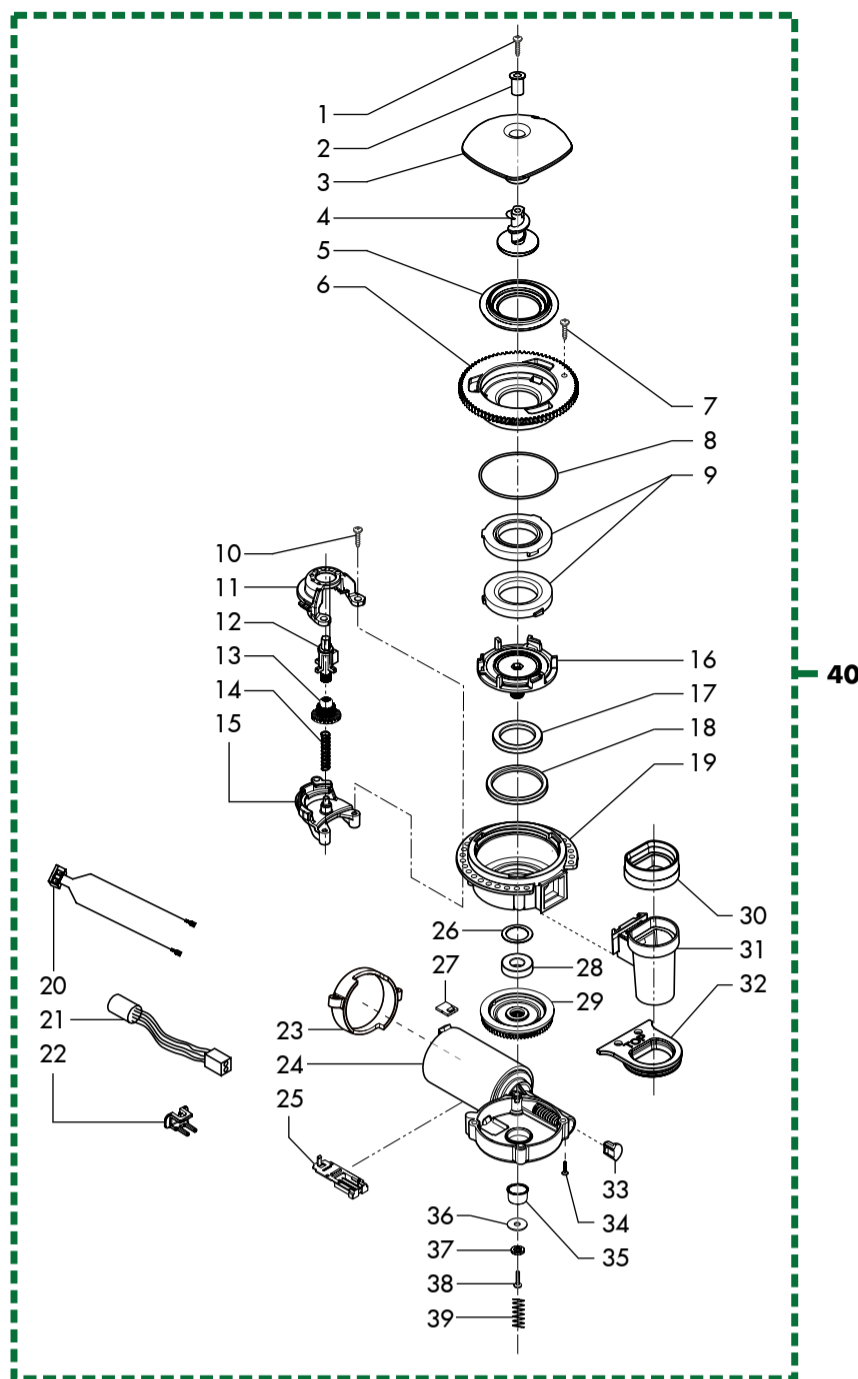
| Pos. Code | Description | Note |
|-----------|-------------|------|
| | | |

LIRIKA BASIC

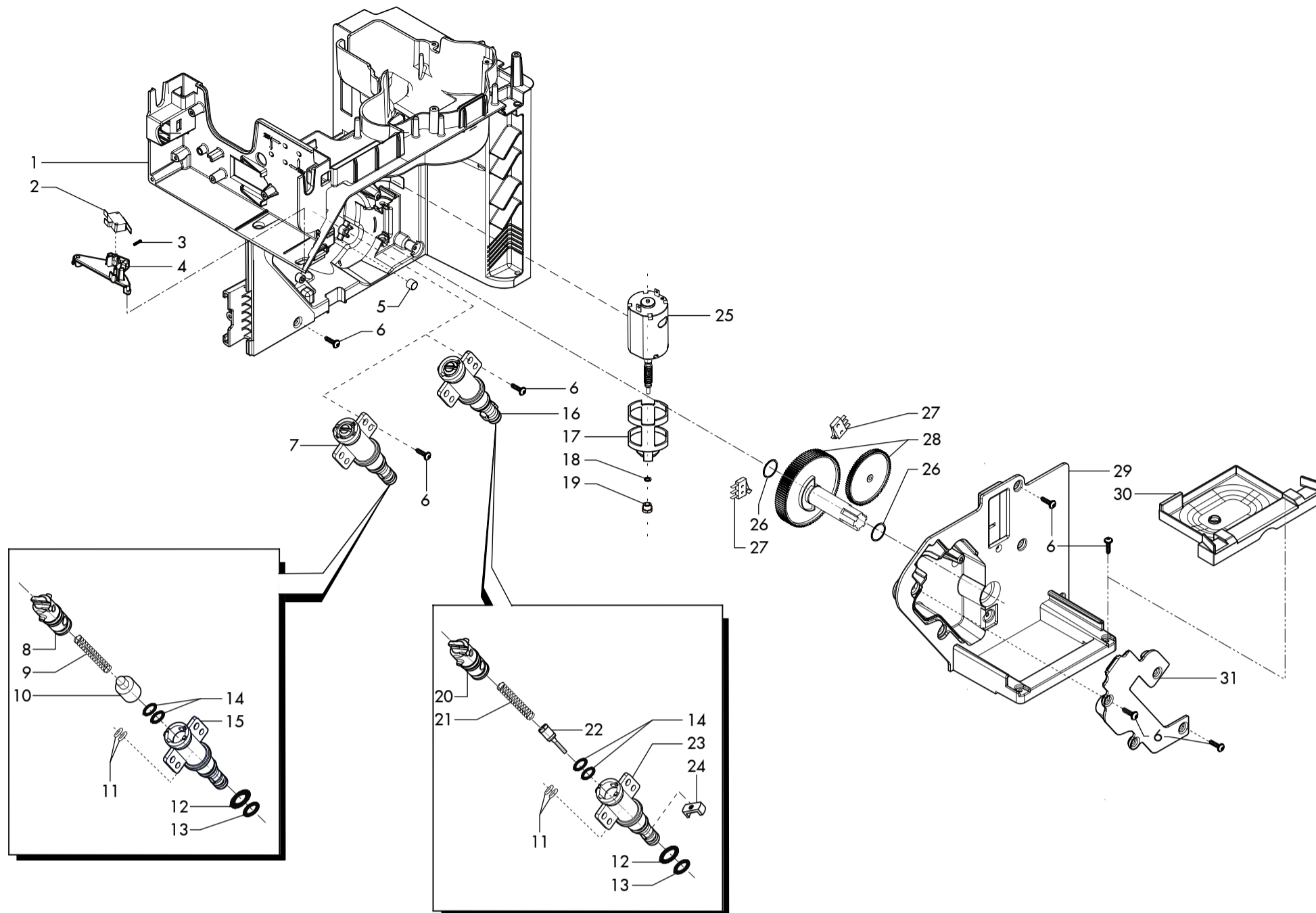


| Pos. Code | Description | Note | |
|-----------|--------------|--|-----------|
| 1 | 421941301142 | Blk Steam Tube Insert V2 Smr/H | KR |
| 2 | 421941301121 | Blk Cappuc.Casing Cover Ring Smr/H | KR |
| 3 | 421941301131 | Blk Cappuc.Casing Seal Smr/H | KR |
| 4 | 147922350 | Black Connector 90° For Spheric.Cappuc. | KR |
| 5 | 9972.045 | Silicone Tube 3,5X6 L=350 Mm Ds | KR |
| 6 | 421944023812 | Blk Cappuc.Casing Cover V5 Smr/H Assy. | KR |
| 7 | NM01.028 | O-Ring 106 Silicone | KR |
| 8 | 421944022461 | Blk Cappuc.Casing V3 Smr/H | KR |
| 9 | 421944023801 | Blk Cappuc.V3 Smr/H Assy. | KR |
| 10 | 12000892 | Oetiker Clamp D=9,5 16700004 | |
| 11 | 11023153 | Slim Tub.Boiler 1300W 120V Assy. | 120V |
| 11 | 11024193 | Slim Tub.Boiler 1100W 100V Assy. | 100V |
| 11 | 17000346 | Hp/Slim Tub.Boiler 1900W 230V Assy. | 230V |
| 12 | 12001715 | Screw Tcb Torx 20 M4X8 Autoforming Zn-B | |
| 13 | 17800628 | Temperature Sensor Ntc Ui L=550Mm | |
| 14 | 11001751 | Tub.Boiler V3 Upper Therm.Fixing Spring | |
| 15 | 12001033 | Thermostat One Shot 190° | |
| 16 | 12001280 | Screw Tsp Torx 10 5X20 Plast.Zn-B | |
| 16 | 12001369 | Screw Tsp Torx 10 5X35 Plast.Ss | J - TWN |
| 17 | 421944010421 | Slim Tub.Boiler Smr 1300W 120V Assy. | 120V |
| 17 | 421944024221 | Slim Tub.Boiler Smr 1100W 100V Assy. | 100V |
| 17 | 421944051651 | Hp/Slim Tub.Boiler V2 Smr 1900W 230V As. | 230V |
| 18 | 421944040831 | Blk Slim Tub.Boiler Support V2 Smr | |
| 19 | 12000450 | Screw Tcbr Torx 10 3,5X12 Plast.Zn-N | |
| 20 | 16000380 | 5X8,9 Silicone Tube In Roll | |
| 21 | 11030926 | Tf/Chrom.Steam Tube Smr Assy. | |
| 22 | 17001029 | Steam Tube Support Smr | |
| 23 | 17001028 | Black Bush For Steam Tube Smr | |
| 24 | 140324461 | Or Orm 0060-20 Termoil | |
| 25 | 11008991 | Black Steam Tube Handgrip P604 | TWN - CHN |
| 25 | 421941300671 | Blk/Sil.Steam Tube Handgrip G0053 | |
| 26 | 11001620 | Black Pannarello Inner Tube P0049 | |
| 27 | 11001621 | Ss Pannarello Cover P0049 | |
| 28 | 421941279742 | Blk Connector For Pin Boiler V2 Smr | |
| 29 | 16000540 | Transpar.11X12,8 Silicone Tube In Roll | |
| 30 | 11002149 | Black Pump Outlet 90°Connector P0049/A | |
| 31 | JS01.022 | Silicone Tube 5X10 60Sh In Roll | |
| 32 | 149205850 | Black Type Ulka Pump W/Bevel Support | |
| 33 | 12000130 | Ulka Pump Ep5/S Gw 100V-50/60Hz | 100V |
| 33 | 12000140 | Ulka Pump Ep5/S Gw 230V-50Hz | 230V |
| 33 | 12000142 | Ulka Pump Eap5/S 120V-60Hz | 120V |
| 33 | 12000182 | Ulka Pump Ep5/S Gw 220V-60Hz | 220V 60HZ |
| 34 | 11024863 | L-F/Br.Safety Valve 16-18 Bar Assy. | |
| 35 | 17001262 | Lfbrass 2W.Ev 21Jn1Rrv20-X005+Lbv05024Cu | |
| 36 | 11024868 | L-F/Brass Connect.For Alum.Boiler | |
| 37 | 129823802 | Tcb Screw M4X8 Uni 7687 Znp | |
| 38 | 11024469 | L-F/Brass Connector For Boiler Aura | |

| Pos. Code | Description | Note | |
|-----------|-------------|-----------------------------------|--|
| 39 | 17800686 | 3Poles Connector Flowmeter Smr UI | |
| 40 | NV99.099 | Turbine D=1,2 932-9521/B Assy. | |
| 41 | 0701.081 | Spring For Tube Product 1 | |



| Pos. Code | Description | Note | Pos. Code | Description | Note |
|-----------|---|-----------------|-----------|-------------|------|
| 1 | U043.004 Zn-B Tcb Torx 20 M4X16 Zn-B | All except 120V | | | |
| 2 | 11012466 Brass Bush Bean Cont.Finger Protec.P0057 | All except 120V | | | |
| 3 | 17001008 Trans.Bean Contain.Finger Protect.Smr UI | All except 120V | | | |
| 4 | 11010031 Tea/Zama Increase Screw Grinder | | | | |
| 5 | 421941085872 Coffee Grinder Seal P119 Gry 7035 | | | | |
| 6 | 421944053581 Blk Cof.Grinder Upper Grinder Support V3 | | | | |
| 7 | 12001622 Screw Tcb Torx B 3,5X9,5 Scheet Nik | | | | |
| 8 | 140328960 Or Orm 0530-15 Nbr Fda | | | | |
| 9 | 146520100 Baked Clay Grinder 48X28 | | | | |
| 10 | 129914002 Screw Tcb Torx 10 3,5X16 Plast.Zn-B | | | | |
| 11 | 11002508 Upper Coffeegrinder Gear Support P124 | | | | |
| 12 | 421944025161 Ylw Bean Coffee Grinder Insert Smr | | | | |
| 13 | 11003784 Coffee Grinding Adjustment Gear P0049 | | | | |
| 14 | 11002572 Coffeegrinder Regulation Spring P124 | | | | |
| 15 | 11002613 Lower Coffeegrinder Gear Support P124 | | | | |
| 16 | 149198350 Blk Lower Coffeegrinder Grinder Support | | | | |
| 17 | 123030300 Axial Bearing Ekko 342.35252 | | | | |
| 18 | 140360500 Felt Ring 45,4X39,4X4 | | | | |
| 19 | 142905450 Blk Upper Body With Coffee Ground Outlet | | | | |
| 20 | 421946000941 2P.Conn.Cof.Grind.Motor Fuse1.0A Smro UI | | | | |
| 20 | 421946004841 2P.Conn.Cof.Grind.Motor Fuse1.6A Smro UI | TWN | | | |
| 20 | 421946010741 2P.Conn.Cof.Grind.Motor Fuse 2A Smro UI | J | | | |
| 21 | 17800687 3Poles Connector Mc Sensor Smr UI | | | | |
| 22 | 17001921 Blk Wiring Fix Insert For Grinder Board | | | | |
| 23 | 11000194 Black Coffeegrinder Motor Support P124 | | | | |
| 24 | 11000511 Motor Coffeegrinder V3.1 120V Assy. | 120V | | | |
| 24 | 11000512 Motor Coffeegrinder V3.1 100V Assy. | 100V | | | |
| 24 | 11000513 Motor Coffeegrinder V3.1 230V Assy. | 230V | | | |
| 25 | 149199050 Blk Sensor Support For Cof.Grinder Motor | | | | |
| 26 | 128381800 Steel Crinkle Washer 21,8X14X0,25 | | | | |
| 27 | 181540900 Electr.Board With Sensor Hal506 Sf-K | | | | |
| 28 | 123030200 Radial Bearing 61900.2Rs1 | | | | |
| 29 | 226000300 Gear Sx Z=38 For Grinder Motion Assy. | | | | |
| 30 | 145854360 Blk Ground Coffee Cont.Upper Seal Smart1 | | | | |
| 31 | 11026355 Blk Ground Cof.Outlet Conveyor V4 Assy. | | | | |
| 32 | 421944060561 Gry Ground Cof.Cont.Lower Seal V2 Smart1 | | | | |
| 33 | 149214800 Mc V3 Mod=1,25 Worm Screw Centring Cap | | | | |
| 34 | 129661702 Screw Tcb Torx 3,5X30 Plast.Zn-B | | | | |
| 35 | 11002873 Insulator Bush For Grinder Motor P124 | | | | |
| 36 | 128381902 Steel Flat Washer Di=4,3 De=14 Sp=1,5 | | | | |
| 37 | 128310402 Galv.Washer Uni 8842 A4 | | | | |
| 38 | 129574802 Screw Tcb Torx 20 M4X30 Zn-B | | | | |
| 39 | 11000597 Steel Cof.Grinder Support Spring P124 | | | | |
| 40 | 421944054591 Gen.Motor Cof.Grinder V2 Smro 120V Assy | 120V | | | |
| 40 | 421944054611 Gen.Motor Cof.Grinder V2 Smro 230V Assy | 230V | | | |
| 40 | 421944054641 Gen.Motor Cof.Grinder V2 Smro 100V Assy | 100V | | | |



| Pos. Code | Description | Note | |
|-----------|--------------|--|---------|
| 1 | 421944043602 | Blk Ratiomotor Mounting Plate V2 Smrg As | |
| 2 | 12001890 | Microswitch Xg/V3D | |
| 3 | 421944006861 | Steel Spring For Micro Compensator Smr | |
| 4 | 17001508 | Black Micro Compensator Smr | |
| 5 | 9161.111 | Magnet For Float Superaut. | |
| 6 | 12001728 | Screw Tcbr Torx 10 3,5X12 Plast.Ss | |
| 7 | 421946011491 | Blk Pin For Boiler Valve 4Bar Assy. | |
| 8 | 421944027691 | Blk Cap For Pin Boiler Valve 4Bar | |
| 9 | 421944036701 | Spring For Pin Boiler Valve 4Bar | |
| 10 | 421944038251 | Mushroom Valve For Flow Select.V2 P0057 | |
| 11 | 140328059 | Or 2015 Silicone Ptf/Fda | |
| 12 | NM01.035 | Or Orm 0090-20 Silicone | |
| 13 | NM01.057 | Or Orm 0050-20 In Silicone | |
| 14 | 140324459 | Or Orm 0060-20 Silicone Ptf/Fda | |
| 15 | 421944027711 | Blk Pin For Boiler Valve 4Bar | |
| 16 | 11005060 | Pin V2 For Boiler P119 Assy. | J - TWN |
| 17 | 9121.044 | Antivibration For Motor | |
| 18 | 148380200 | Bakelizzate Washer D=5,5 | |
| 19 | 9121.046 | Bronze Sintered Bush For Motor Ratiomot. | |
| 20 | 11003820 | Black Cap V2 For Pin Boiler P119 | J - TWN |
| 21 | 9011.132 | Ss Spring For Pin | J - TWN |
| 22 | 421944028601 | L-F/Br.Piston L=20,9 Assy. | J - TWN |
| 23 | 11003801 | Nat.Pin V2 For Boiler P119 | J - TWN |
| 24 | 11005099 | Natural Cursor V2 For Boiler P119 | J - TWN |
| 25 | 11005214 | Motor For Ratiomotor P124 Assy. | |
| 26 | 9161.132 | Mylar Washer For Ratiomotor | |
| 27 | 421946025541 | Microswitch Xc/Sm1 V2 | |
| 28 | 20000900 | Spares Kit Gears For Ratiomotor V2 | |
| 29 | 421941287512 | Blk Ratiomot.Mounting Plate Cover V2 Smr | |
| 30 | 421944062701 | Blk Brew Unit Drawer Coffee V2 Smr | |
| 31 | 17000730 | Black Boiler Seat Pin Cover Smr | |

| Pos. Code | Description | Note |
|-----------|-------------|------|
| | | |

